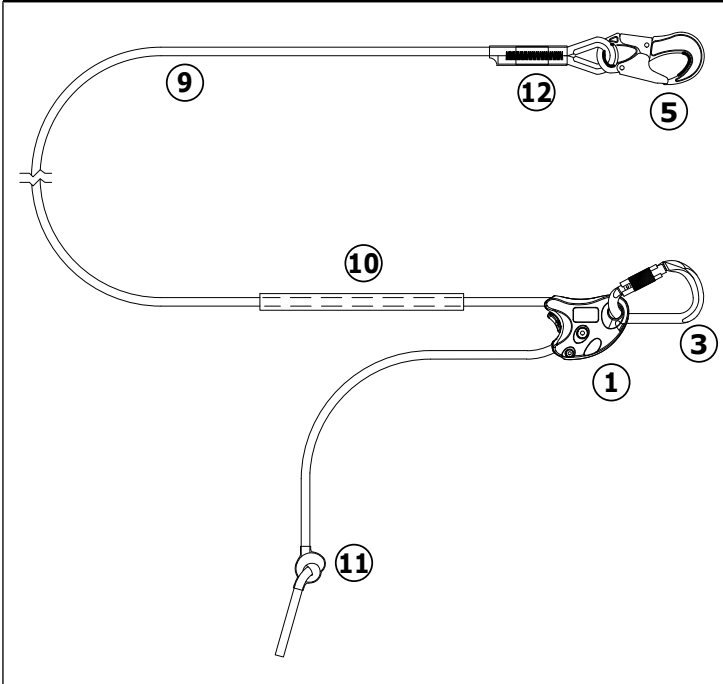
	EN358:1999	<b>EU type examination and Conformity to type</b>  No. 1019 VVUU, a.s. Pikartska 1337/7 716 07 Ostrava-Radvanice Czech Republic
	Regulation (EU) 2016/425	

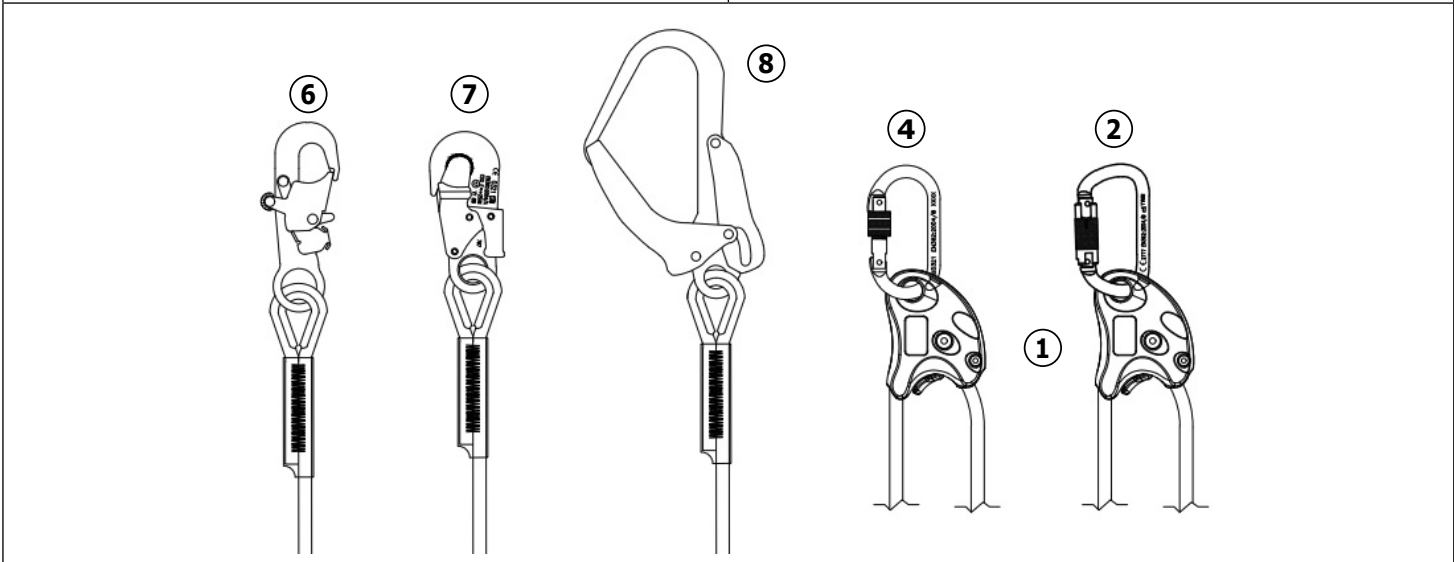
**TRIGGER™  
WORK POSITIONING LANYARD**

**USER INSTRUCTION MANUAL  
5908445 Rev: B**

**Figure 1:**



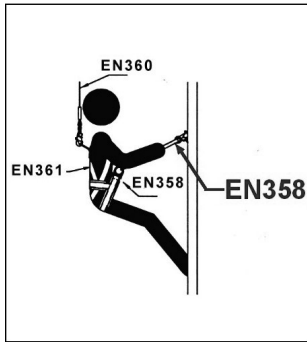
Model Number	LY	AJ514/0	AJ572/0	AJ501/0	AJ523/0	20LF	AJ565/0	AJ595/0	Rope Cover
		②	③	④	⑤	⑥	⑦	⑧	⑩
1200314	2 m (6,56 ft.)		x		x				
1200315	4 m (13,12 ft.)		x		x				
1200317	3 m (9,84 ft.)		x		x				
5009127	1,5 m (4,92 ft.)			x				x	
5009128	2 m (6,56 ft.)	x				x			
5009129	2 m (6,56 ft.)	x				x			x
5009130	2 m (6,56 ft.)	x				x			x
5009133	1 m (3,28 ft.)			x			x		
5009135	3 m (9,84 ft.)	x						x	x
5009136	2 m (6,56 ft.)	x						x	x



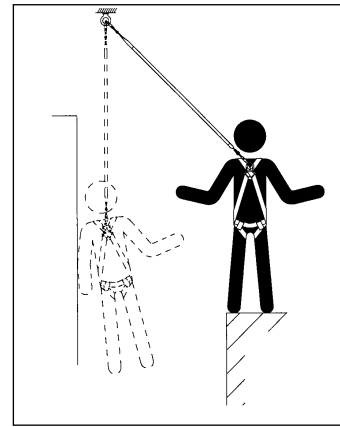
**INDEX**

<b>EN</b>	<b>4</b>
<b>BG</b>	<b>10</b>
<b>CS</b>	<b>16</b>
<b>DA</b>	<b>22</b>
<b>DE</b>	<b>28</b>
<b>EL</b>	<b>34</b>
<b>ES</b>	<b>40</b>
<b>ET</b>	<b>46</b>
<b>FI</b>	<b>52</b>
<b>FR</b>	<b>58</b>
<b>HE</b>	<b>64</b>
<b>HR</b>	<b>70</b>
<b>HU</b>	<b>76</b>
<b>IS</b>	<b>82</b>
<b>IT</b>	<b>88</b>
<b>KA</b>	<b>94</b>
<b>LT</b>	<b>100</b>
<b>LV</b>	<b>106</b>
<b>MT</b>	<b>112</b>
<b>NL</b>	<b>118</b>
<b>NO</b>	<b>124</b>
<b>PL</b>	<b>130</b>
<b>PT</b>	<b>136</b>
<b>RO</b>	<b>142</b>
<b>SK</b>	<b>148</b>
<b>SL</b>	<b>154</b>
<b>SR</b>	<b>160</b>
<b>SV</b>	<b>166</b>
<b>TR</b>	<b>172</b>
<b>UK</b>	<b>178</b>

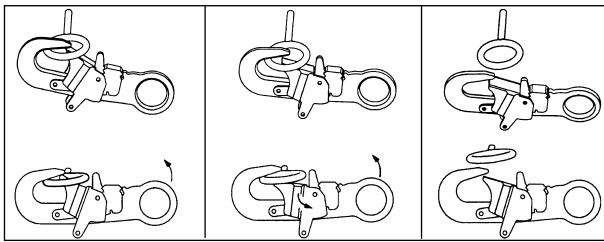
2



3



4

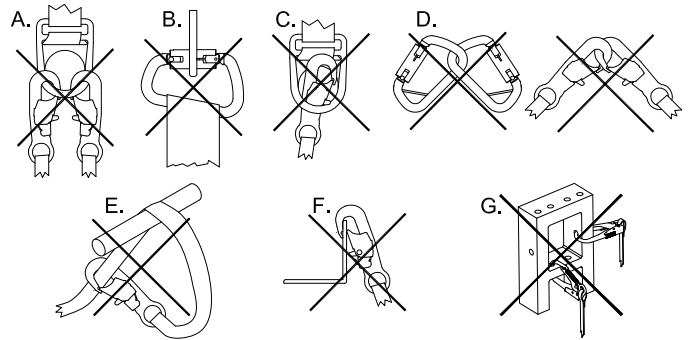


A

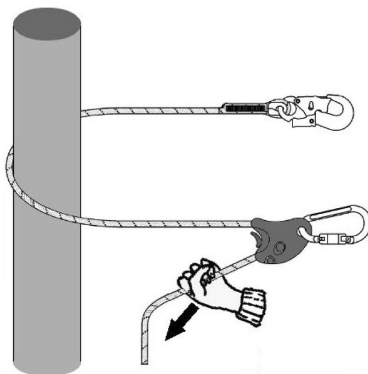
B

C

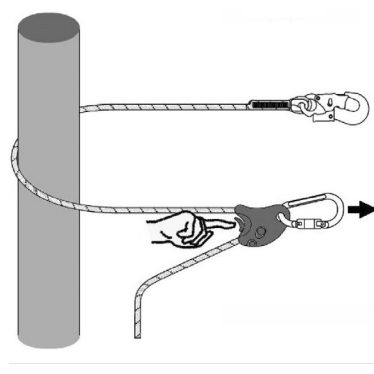
5



6



7



8

**3M**

**PROTECTA**

Fall Protection

12 [www.3M.com/Fallprotection](http://www.3M.com/Fallprotection)

1 REF. **1200314**

9 LENGTH **2.0 m** PAD Ø10.5mm 13

2 SERIAL NO **60300000 000**

MFG DATE 10 **03/16** 11

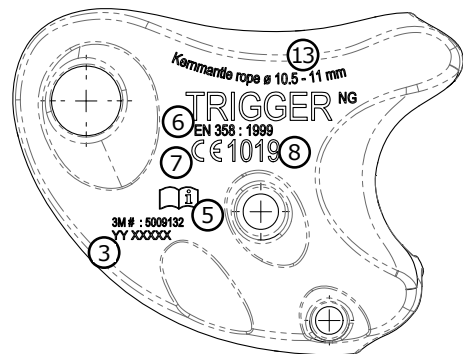
14 CAPACITY **140 kg**

7 **CE 1019** 8

6 **EN358:1999**



Jegorovova 35  
Banská Bystrica 4  
974 01 Slovakia



## SAFETY INFORMATION

**Please read, understand, and follow all safety information contained in these instructions prior to the use of this Work Positioning/Travel Restraint Lanyard. FAILURE TO DO SO COULD RESULT IN SERIOUS INJURY OR DEATH.**

**These instructions must be provided to the user of this equipment. Retain these instructions for future reference.**

### Intended Use:

This Work Positioning/Travel Restraint Lanyard is intended for use as part of a complete personal fall protection system. Work Positioning/Travel restraint lanyards are used to prevent the user from reaching or being exposed to a fall hazard.

Use in any other application including, but not limited to, material handling, recreational or sports related activities, or other activities not described in the User Instructions, is not approved by 3M and could result in serious injury or death.

This device is only to be used by trained users in workplace applications.

### WARNING

This Work Positioning/Travel Restraint Lanyard is part of a personal fall protection system. It is expected that all users be fully trained in the safe installation and operation of their personal fall protection system. **Misuse of this device could result in serious injury or death.** For proper selection, operation, installation, maintenance, and service, refer to these User Instructions and all manufacturer recommendations, see your supervisor, or contact 3M Technical Services.

- **To reduce the risks associated with working with a Work Positioning/Travel Restraint Lanyard which, if not avoided, could result in serious injury or death:**
  - Only use this device for work positioning or in travel restraint applications. Work Positioning Lanyards must be configured to limit free fall distance to two feet or less and minimize swing fall. Travel Restraint Lanyards must prevent the user from reaching or being exposed to a fall hazard.
  - Never use this lanyard (i.e., a non-energy absorbing lanyard) as a primary fall arrest device.
  - Inspect the device before each use, at least annually, and after any fall event. Inspect in accordance with the User Instructions.
  - If inspection reveals an unsafe or defective condition, remove the device from service and destroy it.
  - Any device that has been subject to fall arrest or impact force must be immediately removed from service. Refer to the User Instructions or contact 3M Fall Protection.
  - Ensure all connecting subsystems (e.g. lanyards) are kept free from all hazards including, but not limited to, entanglement with other workers, yourself, moving machinery, or other surrounding objects.
  - Ensure proper edge protection is used when the lifeline may come into contact with sharp edges or corners.
  - Ensure the device is rigged appropriately for the intended use.
  - Attach the unused leg(s) of the lanyard to the parking attachment(s) of the harness if equipped.
  - Do not tie or knot the lanyard.
  - Do not exceed the number of allowable users.
  - Ensure that fall protection systems/subsystems assembled from components made by different manufacturers are compatible and meet the requirements of applicable standards, including the ANSI Z359 or other applicable fall protection codes, standards, or requirements. Always consult a Competent or Qualified Person before using these systems.
- **To reduce the risks associated with working at height which, if not avoided, could result in serious injury or death:**
  - Ensure your health and physical condition allow you to safely withstand all of the forces associated with working at height. Consult with your doctor if you have any questions regarding your ability to use this equipment.
  - Never exceed allowable capacity of your fall protection equipment.
  - Never exceed maximum free fall distance of your fall protection equipment.
  - Do not use any fall protection equipment that fails pre-use or other scheduled inspections, or if you have concerns about the use or suitability of the equipment for your application. Contact 3M Technical Services with any questions.
  - Some subsystem and component combinations may interfere with the operation of this equipment. Only use compatible connections. Consult 3M prior to using this equipment in combination with components or subsystems other than those described in the User Instructions.
  - Use extra precautions when working around moving machinery (e.g. top drive of oil rigs), electrical hazards, extreme temperatures, chemical hazards, explosive or toxic gases, sharp edges, or below overhead materials that could fall onto you or your fall protection equipment.
  - Use Arc Flash or Hot Works devices when working in high heat environments.
  - Avoid surfaces and objects that can damage the user or equipment.
  - Ensure there is adequate fall clearance when working at height.
  - Never modify or alter your fall protection equipment. Only 3M or parties authorized in writing by 3M may make repairs to the equipment.
  - Prior to use of fall protection equipment, ensure a rescue plan is in place which allows for prompt rescue if a fall incident occurs.
  - If a fall incident occurs, immediately seek medical attention for the worker who has fallen.
  - Do not use a body belt for fall arrest applications. Use only a Full Body Harness.
  - Minimize swing falls by working as directly below the anchorage point as possible.
  - If training with this device, a secondary fall protection system must be utilized in a manner that does not expose the trainee to an unintended fall hazard.
  - Always wear appropriate personal protective equipment when installing, using, or inspecting the device/system.

Before using this equipment, record the product identification information (see Figure 8) in the "Inspection and Maintenance Log" (Table 2) at the back of this manual.

Always ensure you are using the latest revision of your 3M instruction manual. Visit the 3M website or contact 3M Technical Services for updated instruction manuals.

**DESCRIPTION**

The 3M™ Protecta® TRIGGER™ Adjustable Work Positioning Lanyard is intended to be used as part of personal work positioning system. Work positioning systems typically include a full body harness or body belt, positioning lanyard, and a backup personal fall arrest system. The adjustment system has the option to easily adjust the length of the lanyard during use. This equipment is not suitable for fall arrest purposes and that it is necessary to supplement arrangements for work positioning with collective means (e. g. safety nets) or personal means (e. g. fall arrest systems) of protection against falls from a height.

Figure 1 identifies Adjustable Work Positioning Lanyards covered by this instruction. Different models are available with various combinations of the following features:

<b>Table 1</b>		
<b>COMPONENT SPECIFICATIONS</b>		
<b>Figure 1 Reference:</b>	<b>Description:</b>	
Body Connector	①	Trigger™ Rope Adjustment Device
	②	Carabiner AJ514/0
	③	Carabiner AJ572/0
	④	Carabiner AJ501/0
Rope Support Connector	⑤	Carabiner Hook AJ523/0
	⑥	Carabiner Hook 20LF
	⑦	Carabiner Hook AJ565/0
	⑧	Carabiner Hook AJ595/0
Ropes	⑨	Static Rope, Diameter 10,5 mm (0,41 in.)
Additional Feature	⑩	Abrasion Resistant Protective Rope Cover Sleeve
Rope Ending	⑪	Simple Knot at The End of The Rope
Label	⑫	Label

<b>SYSTEM SPECIFICATIONS</b>	
<b>Performance:</b>	
LY	Length of the lanyard (see Figure 1).
Capacity:	1 Person with a combined weight (clothing, tools, etc.) of no more than: 140 kg (309 lb.)
Operating Temperature:	Minimum: -35 °C (-31 °F) Maximum: +57 °C (135 °F)

<b>Materials:</b>	
Device Body Component:	Stainless Steel, Aluminum Alloy - 22 kN (4 946 lbf) Tensile Strength
Carabines:	Aluminum Alloy, Alloy Steel, Zinc Plated - 22 kN (4 946 lbf) Minimum Tensile Strength
Carabiner Hooks:	Steel, Stainless Steel, and Zinc or Chromate Plated - 22 kN (4 946 lbf) Tensile Strength
Ropes:	Nylon - 22 kN (4 946 lbf) Tensile Strength
Rope Covers:	Nylon, Polyester

## 1.0 APPLICATIONS

- 1.1 PURPOSE:** Lanyards are designed to be a component in a personal fall protection system (see Figure 2). They can dissipate fall energy, limit fall forces transferred to the body, or be used for work positioning and restraint, depending on their type. Figure 1 identifies the Lanyard models covered by this instruction manual. They may be used in most situations where a combination of worker mobility and fall protection is required (i.e. inspection work, general construction, maintenance work, oil production, confined space work, etc.).
- 1.2 STANDARDS:** Your Lanyard conforms to the national or regional standard(s) identified on the front cover of these instructions. Refer to the local requirements governing occupational safety for additional information regarding Personal Fall Protection. If this product is resold outside the original country of destination, the re-seller must provide these instructions in the language of the country in which the product will be used.
- 1.3 TRAINING:** This equipment is intended to be used by persons trained in its correct application and use. It is the responsibility of the user to assure they are familiar with these instructions and are trained in the correct care and use of this equipment. Users must also be aware of the operating characteristics, application limits, and the consequences of improper use.
- 1.4 REQUIREMENTS:** Always consider the following limitations when installing or using this equipment:
- **Capacity:** Lanyards are for use by one person with a combined weight (clothing, tools, etc.) meeting the weight range specified in Table 1. Make sure all of the components in the system are rated to a capacity appropriate to the needed application.
  - **Anchorage:** Anchorages selected for fall arrest systems must be capable of sustaining static loads applied in the directions permitted by the entire system of at least:
    - A. 12 kN (2 698 lb) for metal anchors or 18 kN (4 047 lb) for textile anchors or
    - B. Two times the maximum arresting force for certified anchorages.If permitted based on the anchor type, when more than one fall arrest system is attached to an anchorage, the strengths set forth in (1) and (2) above shall be multiplied by the number of systems attached to the anchorage.
  - **Swing Falls:** Swing Falls occur when the anchorage point is not directly above the point where a fall occurs. The force of striking an object in a swing fall may cause serious injury (see Figure 3). Minimize swing falls by working as directly below the anchorage point as possible. Do not permit a swing fall if injury could occur. Always position and/or adjust the Lanyard in such a way that the Anchorage point is maintained at or above waist level; the lanyard is kept taut; and, free movement is restricted to a maximum of 0,6 m (1,97 ft).
  - **Hazards:** Use of this equipment in areas where surrounding hazards exist may require additional precautions to reduce the possibility of injury to the user or damage to the equipment. Hazards may include, but are not limited to: high heat, caustic chemicals, corrosive environments, high voltage power lines, explosive or toxic gases, moving machinery, or overhead materials that may fall and contact the user or fall arrest system. Avoid working where your Lanyard may cross or tangle with that of another worker. Avoid working where an object may fall and strike the Lanyard, risking loss of balance or damage to the Lanyard. Do not allow the Lanyard to pass under the arms or between the legs.

## 2.0 USE

- 2.1 FALL PROTECTION AND RESCUE PLAN:** The employer must have a Fall Protection and Rescue Plan in place. The plan should provide guidelines and requirements for an employer's managed fall protection program, including policies, duties and training; fall protection procedures; eliminating and controlling fall hazards; rescue procedures; incident investigations; and evaluating program effectiveness.
- 2.2 INSPECTION FREQUENCY:** Lanyards shall be inspected by the worker<sup>1</sup> before each use. Additionally, inspections shall be conducted by a competent person<sup>2</sup> other than the user. Extreme working conditions (harsh environment, prolonged use, etc.) may necessitate more frequent competent person inspections. The competent person shall determine appropriate inspection intervals. Inspection procedures are described in the *Inspection & Maintenance Log* (Table 2). Results of the Competent Person inspection should be recorded in the *Inspection and Maintenance Log* or recorded with the Radio Frequency Identification (RFID) system.
- 2.3 COMPATIBILITY OF COMPONENTS:** Unless otherwise noted, 3M equipment is designed for use with 3M approved components and subsystems only. Substitutions or replacements made with non approved components or subsystems may jeopardize compatibility of equipment and may affect safety and reliability of the complete system.
- 2.4 COMPATIBILITY OF CONNECTORS:** Connectors are considered to be compatible with connecting elements when they have been designed to work together in such a way that their sizes and shapes do not cause their gate mechanisms to inadvertently open regardless of how they become oriented. Contact 3M if you have any questions about compatibility. Connectors (hooks, carabiners, and D-rings) must be capable of supporting at least 22 kN (4 946 lb).

Connectors must be compatible with the anchorage or other system components. Do not use equipment that is not compatible. Non-compatible connectors may unintentionally disengage (see Figure 4). Connectors must be compatible in size, shape, and strength. Self-locking snap hooks and carabiners are required. If the connecting element to which a snap hook or carabiner attaches is undersized or irregular in shape, a situation could occur where the connecting element applies a force to the gate of the snap hook or carabiner (A). This force may cause the gate to open (B), allowing the snap hook or carabiner to disengage from the connecting point (C).

**1 Worker:** Any person who is protected from falling by an active fall protection system; or, in the case of a fall arrest System; an person who might fall while attached to the system.

**2 Competent Person:** An individual designated by the employer to be responsible for the immediate supervision, implementation, and monitoring of the employer's managed fall protection program who, through training and knowledge, is capable of identifying, evaluating, and addressing existing and potential fall hazards, and who has the employer's authority to take prompt corrective action with regard to such hazards.

**2.5 MAKING CONNECTIONS:** Snap hooks and carabiners used with this equipment must be self-locking. Ensure all connections are compatible in size, shape, and strength. Do not use equipment that is not compatible. Ensure all connectors are fully closed and locked. 3M connectors (snap hooks and carabiners) are designed to be used only as specified in each product's user's instructions. See Figure 5 for examples of inappropriate connections. Do not connect snap hooks and carabiners:

- A. To a D-ring to which another connector is attached.
- B. In a manner that would result in a load on the gate. Large throat snap hooks should not be connected to standard size D-rings or similar objects which will result in a load on the gate if the hook or D-ring twists or rotates, unless the snap hook is equipped with a 16 kN (3 600 lb) gate.
- C. In a false engagement, where size or shape of the mating connectors are not compatible and, without visual confirmation, the connectors seem fully engaged.
- D. To each other.
- E. Directly to webbing or rope lanyard or tie-back (unless the manufacturer's instructions for both the lanyard and connector specifically allows such a connection).
- F. To any object which is shaped or dimensioned such that the snap hook or carabiner will not close and lock, or that roll-out could occur.
- G. In a manner that does not allow the connector to align properly while under load.

### 3.0 INSTALLATION AND ADJUSTMENT

**3.1 PLANNING:** Plan your fall protection system before starting your work. Account for all factors that may affect your safety before, during, and after a fall. Consider all requirements and limitations defined in Section 1.

**3.2 ANCHORAGE:** Select an anchorage location with minimal free fall and swing fall hazards (see Section 1). Select a rigid anchorage point capable of sustaining the static loads defined in Section 1.

**3.3 BODY SUPPORT CONNECTION:** Restraint / Work Positioning Lanyard must be used with a Full Body Harness or Body Belt. For Restrain applications, connect the the Lanyard to the appropriate Attachment Element (D-Ring) on the harness or on the belt. Consult the instructions included with your harness or belt for other fall protection applications and recommended connections.

**3.4 CONNECT TO THE LANYARD:** When connecting, ensure roll-out cannot occur. (See Section 2.5 "Connections.") Roll-out occurs when interference between the hook and mating connector causes the hook gate to unintentionally open and release.

**STEP 1:** Connect the locking Rope Support Connector (See Figure 1) to the left or right side D-Ring located on the operator's body belt or full body harness.

**STEP 2:** Place the lanyard around a secure anchorage that is capable of sustain loads of 12 kN (2 698 lb) or greater. Verify the lanyard is secured in a way that it cannot slip down or past the anchor point.

**STEP 3:** Connect the lanyard Body Connector (See Figure 1) to the opposite side D-Ring. When connected, the snap hook or carabiner gate must be facing out and away from the user.

**STEP 4:** To shorten the rope, pull the tail directly towards the anchore point. (Figure 6)

**STEP 5:** Allow the rope to feed through the adjuster while leaning back. Release the adjuster when it is in the desired position. (Figure 7)

**STEP 6:** Confirm secure anchorage, proper connections and rope adjustment:

- Adequate anchorage strength.
- Snap hook and carabiner properly connected to the full body harness or body belt.
- Lanyard cannot slip down or past the anchor point.
- Lanyard is tensioned correctly.

Do not use the snap-hook or carabiner to tie back to the rope. Both connectors must be connected to the appropriate side D-Rings. Never use the Adjustable Lanyard with only one connector attached to the fullbody harness.

### 4.0 OPERATION

First time or infrequent users of Lanyard should review the "Safety Information" at the beginning of this manual prior to use of the Lanyard.

**4.1 WORKER INSPECTION:** Before each use, inspect the Lanyard per the inspection checklist in the *Inspection and Maintenance Log (Table 2)*. If inspection reveals an unsafe condition or indicates the Lanyard has been subjected to any damage or fall forces, the Lanyard must be removed from service and destroyed.

**4.2 OPERATION:** Always minimise the amount of slack in the lanyard near a fall hazard by operating as close to anchorage as possible. See Section 3 for details regarding body support and anchorage connection. Regularly check fastening and/or adjustment elements during use.

**4.3 AFTER A FALL:** Any Lanyard which has been subjected to the forces of arresting a fall or exhibits damage consistent with the effects of fall arrest forces as described in the *Installation and Maintenance Log (Table 2)* must be removed from service immediately and destroyed.

**5.0 INSPECTION**

**5.1 INSPECTION FREQUENCY:** The Lanyard must be inspected at the intervals defined in Section 2. Inspection procedures are described in the "Inspection & Maintenance Log" (Table 2).

*Extreme working conditions (harsh environments, prolonged use, etc.) may require increasing the frequency of inspections.*

**5.2 UNSAFE OR DEFECTIVE CONDITIONS:** If inspection reveals an unsafe or defective condition, remove the Lanyard from service immediately and destroy to prevent inadvertent use. Lanyards are not repairable.

**5.3 PRODUCT LIFE:** The functional life of 3M Lanyard is determined by work conditions and maintenance. Maximum lifespan can range from 1 year for heavy use in extreme conditions to 10 years for light use in mild conditions. As long as the product passes inspection criteria, it may remain in service up to a maximum of 10 years.

**6.0 MAINTENANCE, SERVICE, AND STORAGE**

*Do not clean and disinfect the Lanyards by any method other than described in the following "Cleaning Instructions". Other methods may have adverse effects on the Lanyards or user.*

**6.1 CLEANING:** Cleaning procedures for Lanyard are as follows:

- Periodically clean the exterior of the Lanyard using water and a mild soap solution. Water temperature must not exceed 40 °C (104 °F). Position the Lanyard so excess water can drain out. Do not dry-clean. Do not iron. Clean labels as required.
- Rinse and thoroughly air dry. Do not force dry with heat.

*Use a bleach-free detergent when cleaning the Lanyards. Fabric softener or dryer sheets SHOULD NOT be used when cleaning and drying the Lanyards*

**6.2 SERVICE:** Lanyards are not repairable. If the Lanyard has been subjected to any damage or fall force, or inspection reveals an unsafe or defective condition, remove the Lanyard from service and discard.

**6.3 STORAGE/TRANSPORT:** Store and transport Lanyards in a cool, dry, clean environment out of direct sunlight. Avoid areas where chemical vapors may exist. Thoroughly inspect the Lanyard after any period of extended storage.

**7.0 LABELS**

Figure 8 illustrates labels on the the Lanyards. All labels must be present on the Lanyard - see Figure 1.

Information on each label is as follows:

<b>Figure 8 Reference:</b>	<b>Description:</b>
①	Model number
②	Serial number
③	Batch number
④	Address of the Manufacturer
⑤	Read these instructions before use
⑥	European standard
⑦	CE Marking of European Conformity
⑧	Number of Notified body carrying out Conformity to type
⑨	Length
⑩	Month of manufacture
⑪	Year of manufacture
⑫	Web Address of the Manufacturer
⑬	Rope Diameter
⑭	Capacity





## ИНФОРМАЦИЯ ЗА БЕЗОПАСНОСТ

Моля, преди да използвате този обезопасителен колан за пътуване/позициониране при работа, прочетете, разберете и следвайте всички насоки за безопасност, съдържаща се в тези инструкции. **НЕСПАЗВАНЕТО НА ИНСТРУКЦИИТЕ МОЖЕ ДА ДОВЕДЕ ДО СЕРИОЗНИ НАРАНЯВАНИЯ ИЛИ СМЪРТ.**

Тези инструкции трябва да бъдат предоставени на потребителя на това оборудване. Запазете тези инструкции за бъдещи справки.

### Предназначение:

Този обезопасителен колан за пътуване/позициониране при работа е предназначен за употреба като част от пълна система за лична защита срещу падане. Обезопасителните колани за пътуване/позициониране при работа се използват, за да предотвратят опасността от падане на потребителя или да бъде изложен на такава опасност.

Използване с друго приложение, включително, но не само, обработка на материали, развлекателни или спортни дейности, или други дейности, които не са описани в инструкциите за потребителя, не е одобрено от ЗМ и може да доведе до сериозни наранявания или смърт.

Това устройство трябва да се използва само от обучени потребители за използване на работното място.



## ПРЕДУПРЕЖДЕНИЕ

Този обезопасителен колан за пътуване/позициониране при работа е част от система за лична защита срещу падане. Очаква се всички потребители да бъдат напълно обучени относно безопасното инсталиране и експлоатация на тяхната система за лична защита срещу падане. **Неправилното използване на това устройство може да доведе до сериозно нараняване или смърт.** За правилен избор, експлоатация, инсталиране, поддръжка и сервиз, направете справка с тези инструкции за потребителя и всички препоръки на производителя, обърнете се към Вашия ръководител или се свържете с техническата служба на ЗМ.

- **За да се намалят рисковете, свързани с работата с обезопасителния колан за пътуване/позициониране при работа, които, ако не бъдат избегнати, могат да доведат до сериозни наранявания или смърт:**
  - Използвайте това устройство само за позициониране при работа или за обезопасяване при пътуване. Обезопасителните колани за позициониране при работа трябва да бъдат конфигурирани, така че да ограничат разстоянието за свободно падане до два фута или по-малко и да намалят въртеливото движение. Обезопасителните колани за пътуване трябва да предотвратят опасността от падане на потребителя или да бъде изложен на такава опасност.
  - Никога не използвайте този колан (например, колан непоглъщащ енергията) като основно устройство за височинна защита.
  - Проверявайте устройството преди всяка употреба, най-малко веднъж годишно и след всеки случай на падане. Проверявайте в съответствие с инструкциите за потребителя.
  - Ако при проверката бъде установено опасно или неизправно състояние, извадете устройството от експлоатация и го унищожете.
  - Всяко устройство, което е било подложено на спиране на падане или удар, трябва да бъде незабавно извадено от експлоатация. Вижте инструкциите за потребителя или се свържете с отдела за защита срещу падане на ЗМ.
  - Уверете се, че всички свързващи подсистеми (напр. въжета) са защитени от всякакви рискове, включително, но не само, оплитане около вас, заплитане с други работници, движещи се машини или други околни обекти.
  - Уверете се, че е използвана подходяща защита за ръбове в случай, че осигурителната линия попадне в контакт с остри ръбове или ъгли.
  - Уверете се, че устройството е монтирано подходящо за предназначението си.
  - Прикачете неизползвания (-те) край (-ища) на колана към устройството (-та) за прикачване на обезопасителното въже върху раменно-бедрени колани, ако има такива.
  - Не връзвайте и не правете възли по колана.
  - Да не се превишава допустимия брой потребители.
  - Уверете се, че системите/подсистемите за защита от падане, сглобени от компоненти, произведени от различни производители, са съвместими и отговарят на изискванията на приложимите стандарти, включително на документа ANSI Z359 на Американския национален институт за стандарти, (American National Standards Institute – [ANSI]), или на другите приложими закони, стандарти или изисквания за защита срещу падане. Преди да използвате тези системи, винаги се консултирайте с компетентно или квалифицирано лице.
- **За да се намалят рисковете, свързани с работата на височина, които, ако не бъдат избегнати, могат да доведат до сериозни наранявания или смърт:**
  - Уверете се, че Вашето здраве и физическо състояние Ви позволяват безопасно да издържите на всички натоварвания, свързани с работа на височина. Консултирайте се с Вашия лекар, ако имате някакви въпроси относно възможностите Ви да използвате това оборудване.
  - Никога не надвишавайте допустимия капацитет на Вашето оборудване за защита срещу падане.
  - Никога не надвишавайте определеното максимално разстояние за свободно падане на Вашето оборудване за защита срещу падане.
  - Не използвайте оборудване за защита срещу падане, което не отговаря на предварителната проверка за употреба или на други планирани проверки, или ако имате притеснения относно използването или пригодността на оборудването за Вашата работа. За всякакви въпроси се свържете с техническата служба на ЗМ.
  - Някои комбинации от подсистеми и компоненти могат да попречат на работата на това оборудване. Използвайте само съвместими връзки. Преди да използвате това оборудване в комбинация с компоненти или подсистеми, различни от описаните в инструкциите за потребителя, се консултирайте с ЗМ.
  - Прилагайте допълнителни предпазни мерки, когато работите около движещи се машини (напр. горно задвижване на нефтени платформи), опасности, свързани с използването на електроенергия, екстремни температури, химически опасности, експлозивни или токсични газове, остри ръбове или под повърхностни материали, които могат да паднат върху Вас или върху оборудването за защита срещу падане.
  - Когато работите в среда с висока температура, използвайте предпазни устройства Arc Flash или Hot Works.
  - Избягвайте повърхности и предмети, които могат да причинят травми на потребителя или повреди по оборудването.
  - Уверете се, че има достатъчно пространство за свободно падане при работа на височина.
  - Никога не правете промени или изменения на Вашето оборудване за защита срещу падане. Само ЗМ или страни, писмено упълномощени от ЗМ могат да извършват ремонт на оборудването.
  - Преди да използвате оборудване за защита срещу падане, уверете се, че има план за спасяване, който позволява бързо спасяване, ако се случи инцидент, свързан с падане.
  - Ако се случи инцидент, свързан с падане, незабавно потърсете медицинска помощ за падналия работник.
  - Не използвайте колан, поставен на тялото, за спиране на падането. Използвайте само Full Body Harness (предпазен колан за цялото тяло).
  - Минимизирайте паданията със завъртане, като работите директно под точката на закрепване, доколкото е възможно.
  - При обучение с това устройство трябва да се използва вторична система за защита срещу падане по начин, който не излага обучаващия се на непредвидена опасност от падане.
  - Когато инсталирате, използвате или проверявате устройството/системата, винаги носете подходящи лични предпазни средства.

Преди да използвате това оборудване, запишете идентификационната информация за продукта (вижте фигура 8) в Таблица 2 на „Дневника за проверка и поддръжка“ на гърба на това ръководство.

Винаги използвайте най-новата версия на инструкциите за употреба от ЗМ. Посетете уеб сайта на ЗМ или се свържете с отдела за техническо обслужване на ЗМ за актуализирани инструкции за употреба.

## ОПИСАНИЕ

Колани ЗМ™ Protecta® TRIGGER™ Регулируемият е предназначен за използване като част от личната система за позициониране при работа. Системите за позициониране при работа обикновено включват раменно-бедрени колани за цяло тяло или колан за тяло, позициониращи колани и лична резервна система за височинна защита. Системата за регулиране има възможност лесно да регулира дължината на колана по време на употреба. Това оборудване не е подходящо за височинна защита и поради това е необходимо да се добавят устройства за позициониране при работа със събиращи средства (напр. защитни мрежи) или лични средства (напр. система за височинна защита) за защита срещу падане от височина.

Фигура 1 идентифицира работен, регулируем позициониращ колан, обхванат от тази инструкция. Различните модели се предлагат с различни комбинации от следните характеристики:

**Таблица 1 – Спецификации**

<b>СПЕЦИФИКАЦИИ НА КОМПОНЕНТИТЕ</b>		
<b>Фигура 1 Справка:</b>		<b>Описание:</b>
<b>Конектор за тяло</b>	①	TRIGGER™ Устройство - регулатор за въже
	②	AJ514/0
	③	AJ572/0
	④	AJ501/0
<b>Конектор за поддържащо въже</b>	⑤	AJ523/0
	⑥	20LF
	⑦	AJ565/0
	⑧	AJ595/0
<b>Въжета</b>	⑨	Статично въже - 10,5 mm (0,41 in.)
<b>Допълнителни характеристики</b>	⑩	Устойчив на абразивно покритие ръкав за защита на въжето
<b>Край на въже</b>	⑪	Примерен възел в края на въжето
<b>Етикети</b>	⑫	Етикети

<b>СПЕЦИФИКАЦИИ НА СИСТЕМАТА</b>	
<b>Производителност:</b>	
LY	Дължина на колана (виж фигура 1).
Капацитет:	1 човек с комбинирано тегло (облекло, инструменти и др.) не повече от: 140 кг (309 lbs)
Работна температура:	Минимална: -35°C (-31°F) Максимална: +57°C (135°F)
<b>Материали:</b>	
Устройство компонент на корпуса:	Неръждаема стомана, легирана стомана, алуминиева сплав и каучук - якост на опън 22 kN (4 946 lbf)
Карабинер	Легирана стомана, Алуминий - 22 kN (4 946 lbf) минимум издръжливост на опън
Кука	Стомана, неръждаема стомана, цинк или хромат - якост на опън 22 kN (4 946 lbf)
Въжета	Найлон - 22 kN (4 946 lbf) издръжливост на опън
Калъфи за въжета	Полиестер, Найлон

## 1.0 ПРИЛОЖЕНИЯ

- 1.1 ЦЕЛ:** Коланите са предназначени като компонент от Система за лична височинна защита (вижте Фигура 2). Те могат да разсейват енергията при падане, да ограничават силите на падане, предавани на тялото, или да бъдат използвани за позициониране при работа и обезопасяване, в зависимост от вида на колана. На Фигура 1 са показани моделите колани, които са включени в това ръководство с инструкции. Те могат да се използват при повечето ситуации, в които е необходима комбинация от мобилност на работника и защита срещу падане (като работа, свързана с проверки, общи строителни дейности, работа, свързана с поддръжка, производство на масла, работа в затворени помещения, др.).
- 1.2 СТАНДАРТИ:** Вашият колан отговаря на националните или регионалните стандарти, посочени на предната страна на тези инструкции. Вижте местните изисквания относно безопасност при работа за допълнителна информация относно личната защита срещу падане. Ако този продукт е препродаден извън първоначалната страна на местоназначение, продавачът трябва да предостави тези инструкции на езика на държавата, в която ще се използва продуктът.
- 1.3 ОБУЧЕНИЕ:** Това оборудване е предвидено да се използва от лица, обучени за правилното му приложение и използване. Потребителят носи отговорност да се увери, че е запознат с тези инструкции и е обучен за правилната грижа и употреба на това оборудване. Потребителят трябва също да е запознат с експлоатационните характеристики, ограниченията за приложение и последствията от неправилната употреба.
- 1.4 ИЗИСКВАНИЯ:** Винаги имайте предвид следните ограничения когато монтирате или използвате това оборудване:
- **Капацитет:** Коланите са предназначени за употреба от едно лице с комбинирано тегло (облекло, инструменти и т.н.), отговарящо на Диапазона на теглото, посочено във таблица 1 за модела колан. Уверете се, че всички компоненти в системата са с капацитет, подходящ за необходимото приложение.
  - **Закотвящи устройства:** Закотвящите устройства за системи за височинна защита трябва да могат да издържат статичните натоварвания, прилагани в посоките, разрешени за цялата система от поне:
    - A. 12 kN (2 698 lb) за метални закотвящи точки или 18 kN (4 047 lb) за текстилни закотвящи точки за несертифицирани закотвящи устройства; или
    - B. Два пъти максималната сила на спиране за сертифицирани закотвящи устройства.Ако е разрешено въз основа на вида закотвяща точка, когато към закотвящо устройство е прикрепена повече от една система за височинна защита, силите, посочени в (1) и (2) по-горе трябва да бъдат умножени по броя на системите, прикрепени към закотвящото устройство.
  - **Въртеливи движения:** Въртеливите движения се появяват, когато точката на закрепване не е точно над точката, където се случва падането. Силата на удара на обект при въртеливо движение може да причини сериозно нараняване (вижте Фигура 3). Минимизирайте въртеливите движения, като работите директно под точката на закрепване, доколкото е възможно. Винаги поставяйте и / или регулирайте ремъка по такъв начин, че точката на закрепване да се поддържа на или над нивото на кръста; ремъкът е опънат; и свободното движение е ограничено до максимум 0,6 m (1,97 ft).
  - **Опасности:** Използването на това оборудване в зони с опасности за обкръжаващата среда може да изисква допълнителни предпазни мерки, за да се намали възможността от нараняване на потребителя или повреда на оборудването. Опасностите могат да включват, но не се ограничават до: силна топлина, разяждащи химикали, корозивни среди, електропроводи с високо напрежение, експлозивни или токсични газове, движещи се машини или материали, които могат да паднат върху и да се допрат до потребителя или личната система за височинна защита. Да се избягва работата на места където Вашият колан може да се пресече или заплете с такъв на друг работник. Да се избягва работата на места където може да падне предмет или да удари колана, което да доведе до риск от загуба на баланс или повреда на колана. Не допускайте коланът да мине над ръцете или между краката.

## 2.0 УПОТРЕБА

- 2.1 ПЛАН ЗА ЗАЩИТА СРЕЩУ ПАДАНЕ И СПАСИТЕЛЕН ПЛАН:** Работодателят трябва да разполага с план за защита срещу падане и спасителен план. Планът трябва да предоставя насоки и изисквания за управление на програмата за височинна защита на работодателя, включително политиките, задълженията и обучението; процедурите за защита срещу падане; елиминирането и управлението на опасностите от падане; процедурите за паспяване; разследване на инциденти; и оценка на ефективността на програмата.
- 2.2 ЧЕСТОТА НА ПРОВЕРКИТЕ:** Коланите трябва да се проверяват от работника<sup>1</sup> преди всяко използване. Освен това проверки трябва да се извършват от компетентно лице,<sup>2</sup> различно от потребителя. Екстремните работни условия (тежки условия, продължителна употреба и др.) може да налагат по-чести проверки от страна на компетентните лица. Компетентното лице трябва да определи подходящи интервали за проверка. Процедурите по проверката са описани в *Дневника за проверка и поддръжка (таблица 2)*. Резултатите от всяка проверка от компетентно лице трябва да бъдат записани в *Дневника за проверка и поддръжка* или в системата за радиочестотна идентификация (RFID).
- 2.3 СЪВМЕСТИМОСТ НА КОМПОНЕНТИТЕ:** Оборудването на ЗМ е предназначено за употреба само с компоненти и подсистеми, одобрени от ЗМ, освен ако не е посочено друго. Подмени или замени, извършени с неодобрени компоненти или подсистеми, могат да застрашат съвместимостта на оборудването и да повлияят на безопасността и надеждността на цялата система.
- 2.4 СЪВМЕСТИМОСТ НА КОНЕКТОРИТЕ:** Конекторите се разглеждат като съвместими със свързващите елементи, когато са проектирани да работят заедно така, че техните размери и форми да не предизвикват неволно отваряне на механизмите им за затваряне, независимо от начина, по който са ориентирани. Свържете се с ЗМ, ако имате някакви въпроси относно съвместимостта. Конекторите (куките, карабинерите и D-образните пръстени) трябва да могат да издържат поне 22 kN (5 000 lbs). Конекторите трябва да са съвместими с крепежните елементи или другите компоненти на системата. Не използвайте оборудване, което не е съвместимо. Несъвместимите конектори може неволно да се освободят (вижте фигура 4). Конекторите трябва да са съвместими по размер, форма и сила. Необходими са samozаклучващи се обезопасени куки и

**1 Работник:** Лице, което е защитено срещу падане чрез активна система за защита срещу падане или в случай на система за височинна защита - лице, което може да падне докато е прикрепено към системата.

**2 Компетентно лице:** Лице, назначено от работодателя, което носи отговорност за непосредственото надзор, изпълнение и наблюдение на управляваната от работодателя програма за височинна защита, което посредством обучение и знания може да определи, оцени и реши съществуващи и потенциални опасности от падане, и което разполага с власт от работодателя да предприема бързи корективни действия по отношение на такива опасности.

карабинери. Ако свързващият елемент, към който е прикрепена куката или карабинера, е с по-малък размер или с неправилна форма, може да възникне ситуация, при която свързващият елемент прилага сила към муфата на обезопасената кука или карабинера (А). Тази сила може да доведе до отваряне муфата (В), като позволи на обезопасената кука или карабинера да се освободят от точката на свързване (С).

- 2.5 СЪЗДАВАНЕ НА ВРЪЗКИ:** Използвайте само самозаклучващи се обезопасени куки и карабинери с това оборудване. Уверете се, че всички връзки са съвместими по размер, форма и сила. Не използвайте оборудване, което не е съвместимо. Уверете се, че всички конектори са напълно затворени и заключени. ЗМ конекторите (обезопасени куки и карабинери) са предназначени да се използват само според инструкциите на потребителя. Вижте Фигура 5 за примери за неподходящи връзки. Обезопасените куки и карабинери не трябва да се свързват:
- A. Към D-образен пръстен, към който е прикрепен друг конектор.
  - B. По начин, който би довел до натоварване на муфата. Големите куки за затваряне на гърлото не трябва да се свързват със стандартни размери D-образни пръстени или подобни предмети, които ще доведат до натоварване на муфата, ако куката или D-образните пръстени се усучат или завъртят, освен ако куката не е оборудвана с муфа 16 kN (3 600 lb).
  - C. При фалшиво свързване, когато размера или формата на свързващите конектори не са съвместими и без визуална проверка конекторите изглеждат добре свързани.
  - D. Един към друг.
  - E. Директно към ремъците или обезопасителното въже или обтежката (освен ако инструкциите на производителя за обезопасителното въже и конектора изрично позволяват такава връзка).
  - F. Към всеки обект, който е оформен или оразмерен така, че обезопасената кука или карабинерът да не се затварят и заключват, или да се появи навиване.
  - G. По начин, който не позволява конекторът да се подравнява правилно, докато е натоварен.

### 3.0 ИНСТАЛИРАНЕ И РЕГУЛИРАНЕ

- 3.1 ПЛАНИРАНЕ:** Преди да започнете работа, планирайте своята система за защита срещу падане. Отчетете всички фактори, които могат да повлияят на безопасността ви преди, по време и след падане. Вземете под внимание всички изисквания и ограничения, посочени в раздел 1.
- 3.2 ЗАКОТВЯЩИ УСТРОЙСТВА:** Изберете място за закотвящото устройство с минимално свободно падане и опасност от въртливо движение (вижте Раздел 1). Изберете неподвижна точка за закотвящо устройство, която може да издържи статичните натоварвания, посочени в Раздел 1.
- 3.3 СВЪРЗВАНЕ НА СБРУИ И КОЛАНИ:** Обезопасителният колан/Позициониращият колан за работа трябва да се използва с предпазен колан за цялото тяло или колан за тяло. За приложения на обезопасителния колан, свържете колана към подходящ елемент за прикрепване (D-образен пръстен) върху раменно-бедрения колан или върху колана. Вижте инструкциите за Вашия раменно-бедрен колан или колана за други приложения за защита срещу падане и препоръки за свързване.
- 3.4 СВЪРЗВАНЕ С РАБОТЕН ПОЗИЦИОНИРАЩ КОЛАН:** При свързването, се убедете, че не може да се получи преобръщане. (Вижте раздел 2.5. „Връзки“.) Преобръщане се получава когато взаимодействието между куката и конектора за свързване предизвиква неволно отваряне и освобождаване на муфата на куката.

- Стъпка 1:** Свържете заключващия конектор на поддържащото въже (вижте фигура 1) към лявата или дясната страна на D-образния пръстен, намиращ се на колана за тяло или на раменно-бедрения колан за цяло тяло на работника.
- Стъпка 2:** Поставете колана около осигурена закотвяща точка, която може да издържи натоварване от 12 kN (2 698 lb) или по-голямо. Уверете се, че коланът е обезопасен така че, не може да се изплъзне или да се изхлузи от закотвящата точка.
- Стъпка 3:** Свържете конектора на колана за тяло (вижте фигура 1) към противоположния D-образен пръстен. След като направите тази връзка, куката или муфата на карабинера трябва да са обърнати навън и да бъдат далеч от потребителя.
- Стъпка 4:** За да скъсите въжето, дръпнете края директно към закотвящата точка. (Фигура 6)
- Стъпка 5:** Оставете въжето да се подава през регулатора и да пада назад. Когато регулаторът достигне желаната позиция, освободете го. (Фигура 7)
- Стъпка 6:** Потвърдете сигурното закотвяне, правилните връзки и регулатора за въжето:
- Адекватна сила на закрепване.
  - Куката и карабинерът са свързани правилно към раменно-бедрения колан за цялото тяло или колана за тяло.
  - Коланът не може да се плъзне или да се изхлузи от закотвящата точка.
  - Коланът е опънат с правилната сила.

Не използвайте куката или карабинера за връзване на въжето. И двата конектора трябва да бъдат свързани към подходящата страна на D-образния пръстен. Никога не използвайте регулируем работен позициониращ колан само с един конектор, свързан към раменно-бедрен колан за цяло тяло.

### 4.0 ЕКСПЛОАТАЦИЯ

Потребители, които използват за първи път или които не използват често колани (колани), трябва да прегледат раздел „Информация, свързана с безопасността“ в началото на това ръководство преди да използват колана.

- 4.1 ПРОВЕРКА ОТ РАБОТНИКА:** Преди всяка употреба, проверете колан съгласно списъка за проверка в *Дневника за поддръжка и проверка (Таблица 2)*. Ако при проверката се установи състояние, което не е безопасно или показна, че колана е бил обект на повреда или сили на падане, той трябва да бъде изваден от употреба и унищожен.
- 4.2 ЕКСПЛОАТАЦИЯ:** Винаги минимизирайте луфта в колана близо до опасност от падане като работите възможно

най-близо до закотвящото устройство. Вижте Раздел 3 за подробности относно свързването на сбруите и коланите и закотвящото устройство. По време на употреба редовно проверявайте закрепващите и / или регулиращите елементи.

- 4.3 СЛЕД ПАДАНЕ:** Колан, който е бил обект на сили при височинна защита или е повреден поради ефекта от такива сили, както е описано в Дневника за монтаж и поддръжка (Таблица 2) трябва да бъде изваден от употреба незабавно и унищожен.

## 5.0 ПРОВЕРКА

- 5.1 ЧЕСТОТА НА ПРОВЕРКИТЕ:** Колан трябва да бъде проверяван на интервалите, определени в Раздел 2. Процедурите по проверката са описани в Дневника за проверка и поддръжка (таблица 2).

*Екстремните работни условия (тежки условия, продължителна употреба и др.) може да изискват увеличаване на честотата на проверките.*

- 5.2 НЕБЕЗОПАСНО ИЛИ ДЕФЕКТНО:** състояние Ако проверката разкрие небезопасно или дефектно състояние, незабавно извадете колана от експлоатация и го унищожете, за да предотвратите непреднамерена употреба. Коланите не могат да бъдат поправяни.

- 5.3 СРОК НА ГОДНОСТ НА ПРОДУКТА:** Функционалният живот на колани на 3М се определя от условията на работа и поддръжка. Максималната годност може да продължи от 1 година, при интензивна употреба, до 10 години при по-леки натоварвания. Докато продуктът отговаря на изискванията при проверка, той може да остане в експлоатация до максимален срок от 10 години.

## 6.0 ПОДДРЪЖКА, ОБСЛУЖВАНЕ И СЪХРАНЕНИЕ

*Не почиствайте и не дезинфекцирайте коланите по какъвто и да е начин, различен от описания в „Инструкции за почистване“. Използването на други методи може да има неблагоприятно въздействие върху коланите или потребителя.*

- 6.1 ПОЧИСТВАНЕ:** Процедурите за почистване на колани са следните:

- Периодично почиствайте външната страна на колана като използвате вода и мек сапунен разтвор. Температурата на водата не трябва да превишава 40 °C (104 °F). Поставете колана така, че излишната вода да може да се оттече. Не използвайте химическо чистене. Не гладете. Почиствайте етикетите при необходимост.
- Изплакнете и изсушете добре на открито. Не ускорявайте сушенето чрез загряване.

*Използвайте неизбелващ почистващ препарат когато почиствате коланите. НЕ ТРЯБВА да се използва омекотител за тъкани или попиващи салфетки когато почиствате и сушите коланите*

- 6.2 ОБСЛУЖВАНЕ:** Коланите не могат да бъдат поправяни. Ако коланът е бил обект на повреда или сили на падане или при проверка се установи състояние, което не е безопасно или е дефектно, извадете колана от употреба и го унищожете.

- 6.3 СЪХРАНЕНИЕ/ТРАНСПОРТ:** Съхранявайте и транспортирайте коланите в хладна, суха и чиста среда, далече от пряка слънчева светлина. Избягвайте места, където могат да съществуват химически изпарения. Проверете добре колана след период на продължително съхранение.

## 7.0 ЕТИКЕТИ

Фигура 8 илюстрира етикети върху колани и техните разположения. Всички етикети трябва да се намират върху колана - Вижте фигура 1. Информацията за всеки етикет е, както следва:

Вижте фигура 8:	Описание:
①	Номер на модела
②	Сериен номер
③	Номер на партидата
④	Адрес на производителя
⑤	Вижте инструкциите
⑥	Европейски стандарт
⑦	СЕ знак
⑧	Номер на орган за уведомление, който извършва проверка за съответствие с типа.
⑨	дължина
⑩	Месец на производство
⑪	Година на производство
⑫	Уеб адрес на производителя
⑬	Диаметър на въжето
⑭	Капацитет



## BEZPEČNOSTNÍ INFORMACE

Než toto zádržné polohovací/cestovní lanko začnete používat, přečtěte si prosím, pochopte a dodržujte veškeré bezpečnostní informace obsažené v této příručce. V OPAČNÉM PŘÍPADĚ MŮŽE DOJÍT K VÁŽNÉMU ÚRAZU ČI ÚMRTÍ.

Tyto pokyny musejí být předány uživateli tohoto zařízení. Nechte si tyto instrukce pro budoucí nahlédnutí.

### Zamýšlené použití:

Toto zádržné polohovací/cestovní lanko je určeno k použití jako součást kompletního systému na ochranu osob proti pádu. Zádržná polohovací/cestovní lanka zabraňují tomu, aby uživateli nastalo riziko pádu a aby ani jeho možnost vůbec nevznikla.

Jiné použití, mimo jiné včetně manipulace s materiálem, rekreačních činností nebo činností souvisejících se sportem nebo jiných činností, které nejsou popsány v uživatelské příručce, není schváleno společností 3M a může mít za následek vážný úraz či úmrtí.

Toto zařízení mohou používat pouze vyškolení uživatelé na pracovišti.

## VAROVÁNÍ

Toto zádržné polohovací/cestovní lanko tvoří součást kompletního systému na ochranu osob proti pádu. Očekává se, že všichni uživatelé budou řádně zaškoleni ohledně bezpečné instalace a provozu jejich systému pro ochranu osob proti pádu.

**Nesprávné použití tohoto záchranného prostředku může mít za následek vážný úraz či úmrtí.** Pro správný výběr, provoz, instalaci, údržbu a servis nahlédněte do této uživatelské příručky a všech doporučení výrobce, obraťte se na svého nadřízeného nebo kontaktujte technický servis 3M.

- **Na snížení rizik spojených s prací se zádržným polohovacím/cestovním lankem, která mohou mít (pokud jim nezabráníte) za následek vážný úraz či úmrtí, postupujte takto:**
  - Tento záchranný prostředek používejte pouze jako zádržný polohovací nebo cestovní systém. Zádržná polohovací lanka musíte nastavit tak, aby omezovala délku volného pádu na 60 cm či méně a minimalizovala zhrounutí při pádu. Cestovní polohovací lanka musí bránit tomu, aby uživateli nastalo riziko pádu a nevznikla ani jeho možnost.
  - Toto bezpečnostní lano (které neumí absorbovat energii) nikdy nepoužívejte jako primární prostředek na jištění proti pádu.
  - Všechny součásti záchranného prostředku zkontrolujte před každým použitím (alespoň jednou ročně) a po každém pádu. Při kontrole postupujte podle uživatelské příručky.
  - Pokud kontrola odhalí, že je zařízení nebezpečné nebo vadné, okamžitě ho vyřadte a znehodnoťte.
  - Pokud bylo zařízení vystaveno záhytné síle nebo síle způsobené pádem, musí být okamžitě vyřazeno z provozu. Seznamte se s pokyny pro uživatele, případně se obraťte na společnost 3M Fall Protection.
  - Ujistěte se, že jsou všechny propojovací podsystémy (neboli části bezpečnostních lan) stranou všech překážek, aby se (mimo jiné) nemohla zamotat do jiných pracovníků, do vás, pohybujících se strojů nebo okolních předmětů.
  - Pokud může záhytné lano přijít do styku s ostrými hranami nebo rohy, dbejte na používání řádné ochrany hran.
  - Ujistěte se, že je záchranný prostředek sestaven vhodně k zamýšlenému použití.
  - Nepoužité konce bezpečnostního lana připevněte k zajišťovacímu nástavci postroje (pokud je součástí výbavy).
  - Bezpečnostní lano neuvazujte a nedělejte na něm uzly.
  - Dodržujte maximální počet povolených uživatelů.
  - Zajistěte, aby systémy/subsystémy proti pádu sestavené ze součástí vyrobených různými výrobci, byly kompatibilní a splňovaly požadavky platných norem, včetně ANSI Z359 nebo jiných platných předpisů, norem nebo požadavků na ochranu proti pádu. Před použitím těchto systémů se vždy poradte s kompetentní nebo oprávněnou osobou.
- **Pro snížení rizik spojených s prací ve výškách, která mohou mít, pokud jim nezabráníte, za následek vážný úraz či úmrtí:**
  - Ujistěte se, že vám váš zdravotní stav a fyzická kondice umožňují bezpečně vydržet veškerou námahu spojenou s prací ve výškách. Pokud máte nějaké dotazy týkající se vaší schopnosti používat toto zařízení, poradte se se svým lékařem.
  - Nikdy nepřekračujte přípustnou kapacitu vašeho záhytného zařízení.
  - Nikdy nepřekračujte maximální délku volného pádu vašeho záhytného zařízení.
  - Nepoužívejte záhytná zařízení, která neprojdou kontrolou před použitím nebo jinou naplánovanou kontrolou, nebo pokud máte obavy ohledně vhodnosti zařízení pro vaše použití. S případnými dotazy kontaktujte technický servis 3M.
  - Některé kombinace subsystémů a součástí mohou narušovat provoz tohoto zařízení. Používejte pouze kompatibilní připojení. Pokud chcete toto vybavení používat v kombinaci s jinými součástmi nebo subsystémy, než které jsou popsány v této příručce, obraťte se na společnost 3M.
  - Budte zvláště opatrní při práci u pohybujících se strojů (např. horní pohon vrtných plošin), v prostředí s nebezpečím úrazu elektrickým proudem, s extrémními teplotami, chemickým nebezpečím, výbušnými nebo toxickými plyny, ostrými hranami nebo pod stropními materiály, které by na vás nebo vaše záhytné zařízení mohly spadnout.
  - Při práci v prostředí s vysokými teplotami použijte zařízení proti obloukovému výboji a pro práci za tepla.
  - Vyhněte se povrchům a předmětům, které mohou poranit uživatele nebo poškodit zařízení.
  - Při práci ve výškách zajistěte dostatečnou délku pádu.
  - Nikdy své záhytné zařízení neupravujte ani neměňte. Opravy tohoto zařízení může provádět pouze společnost 3M nebo třetí strany s písemným oprávněním společnosti 3M.
  - Před použitím záhytného zařízení se ujistěte, že je zaveden záchranný plán, který umožňuje rychlou záchranu, pokud dojde k pádu.
  - Pokud dojde k pádu, okamžitě vyhledejte pracovníkovi, který spadl, lékařskou pomoc.
  - Pro jištění proti pádu nepoužívejte pás na tělo. Používejte pouze celotělový postroj.
  - Minimalizujte riziko výkyvu při pádu tím, že budete pracovat co nejbližší kotevnímu bodu.
  - Při školení ohledně tohoto zařízení musí být použit sekundární systém zajištění proti pádu, a to takovým způsobem, který školeného pracovníka nevstaví nežádoucímu nebezpečí pádu.
  - Při instalaci, používání nebo kontrole zařízení/systému vždy noste vhodné osobní ochranné pomůcky.



Před prvním použitím tohoto vybavení zapište identifikační údaje výrobku z identifikačního štítku (viz obr. 8) do tabulky 2 v Deníku kontrol a údržby na konci této příručky.

Vždy používejte nejnovější verzi uživatelské příručky 3M. Chcete-li získat aktuální uživatelské příručky, navštivte webová stránky společnosti 3M nebo se obraťte na technickou podporu společnosti 3M.

## POPIS

Nastavitelné bezpečnostní lano 3M™ Protecta® TRIGGER™ je určeno k použití v rámci osobního pracovního polohovacího systému. Pracovní polohovací systémy se obvykle skládají z celotělového postroje nebo pásu na tělo, polohovacího záchytného lana a záložního osobního systému jištění proti pádu. Pomocí nastavovacího systému lze během používání snadno upravit délku bezpečnostního lana. Toto vybavení se nehodí pro jištění proti pádu, a proto je nutné doplnit pracovní umístění pomocí společných prostředků (např. záchranné sítě) nebo osobních prostředků (např. systémů jištění proti pádu) pro ochranu proti pádu z výšky.

Obrázek 1 popisuje polohovací záchytné lano, kterého se týká tato příručka. K dispozici jsou různé modely s různými kombinacemi následujících prvků:

**Tabulka 1 – Specifikace**

<b>TECHNICKÉ PARAMETRY SOUČÁSTÍ</b>		
<b>Reference k obrázku 1:</b>		<b>Popis:</b>
<b>Spojka na tělo</b>	①	Zařízení na nastavení lana Trigger™
	②	AJ514/0
	③	AJ572/0
	④	AJ501/0
<b>Spojka lana</b>	⑤	AJ523/0
	⑥	20LF
	⑦	AJ565/0
	⑧	AJ595/0
<b>Lana</b>	⑨	Statické lano – 10,5 mm (0,41 in.)
<b>Další prvky</b>	⑩	Ochranné pouzdro na lano odolné vůči oděru
<b>Zakončení lana</b>	⑪	Jednoduchý uzel na konci lana
<b>Štítky</b>	⑫	Štítky

<b>TECHNICKÉ ÚDAJE SYSTÉMU</b>	
<b>Výkon:</b>	
LY	Délka bezpečnostního lana (viz. obrázek 1).
Nosnost:	1 osoba s celkovou hmotností (včetně oblečení, nástrojů atd.) maximálně: 140 kg (309 liber)
Provozní teplota:	Min.: -35 °C (-31 °F) Max.: +57 °C (135 °F)
<b>Materiály:</b>	
Těleso zařízení:	Nerezová ocel, legovaná ocel, hliníková slitina a pryž – pevnost v tahu 22 kN (4946 liber)
Karabiny:	Nerezová ocel, Legovaná ocel, Hliník - min. pevnost v tahu 22 kN (4 946 lbf)
Karabinový hák :	Ocel, nerezová ocel a pozinkování a pochromování – pevnost v tahu 22 kN (4946 liber)
Lana:	Nylon - pevnost v tahu 22 kN (4 946 lbf)
Kryty lan:	Polyester, Nylon

## 1.0 POUŽITÍ

- 1.1 ÚČEL:** Bezpečnostní lana jsou určena k použití jako součást systému ochrany proti pádu osob (viz obrázek 2). Podle typu dokáží rozptýlit energii pádu, omezit síly pádu přenášené na tělo nebo je lze používat k nastavení pracovní polohy nebo jako přídržovací systém. Na obrázku 1 jsou znázorněny modely bezpečnostních lan popsané v této uživatelské příručce. Mohou být použita v mnoha situacích, které vyžadují kombinaci mobility pracovníků a ochrany proti pádu (tj. kontrolní práce, stavební práce, údržbářské práce, těžba ropy, práce v omezeném prostoru atd.).
- 1.2 STANDARDY:** Toto bezpečnostní lano vyhovuje národním a regionálním normám uvedeným na přední straně obálky této příručky. Odkazujeme na místní požadavky, kterými se řídí bezpečnost a kde jsou uvedeny další informace týkající se systému ochrany osob proti pádu. Pokud bude tento produkt prodáván mimo původní cílovou zemi, pak prodejce musí tuto příručku poskytnout v jazykové verzi země, ve které se bude produkt používat.
- 1.3 ŠKOLENÍ:** Toto vybavení smí používat pouze osoby proškolené k jeho správnému používání. Uživatel vybavení nese odpovědnost za to, že tyto osoby budou obeznámeny s těmito pokyny a vyškoleny ke správnému používání a ošetřování tohoto vybavení. Uživatelé musejí rovněž znát provozní charakteristiky, omezení pro použití a důsledky nesprávného použití zařízení.
- 1.4 POŽADAVKY:** Při instalaci nebo používání tohoto vybavení vždy berte v úvahu následující omezení:
- **Nosnost:** Bezpečnostní lana jsou určena pro použití jednou osobou o celkové hmotnosti (oděv, nástroje atd.) podle rozsahu hmotnosti uvedeném v tabulce 1 pro model lana. Ujistěte se, že všechny součásti vašeho systému jsou dimenzované na kapacitu odpovídající požadovanému použití.
  - **Ukotvení:** Ukotvení vybrané pro systémy jištění proti pádu musí odolat statickému zatížení ve směrech, které dovoluje celý systém, nejméně:
    - A. 12 kN (2 698 lb) pro kovové kotvy nebo 18 kN (4 047 lb) pro textilní kotvy pro necertifikovaná ukotvení, nebo
    - B. Dvojnásobek maximální zádržné síly pro certifikovaná ukotvení.Pokud to dovoluje typ kotvy, když je k ukotvení připojeno více systémů jištění proti pádu, je nutno síly stanovené výše v části (1) a (2) vynásobit počtem systémů připojených k ukotvení.
  - **Výkyv při pádu:** Pokud není bod ukotvení přímo nad místem, kde dojde k pádu, mohou při pádu nastat výkyvy. Síla nárazu na předmět při pádu s výkyvem může způsobit těžký úraz (viz obrázek 3). Minimalizujte riziko výkyvu při pádu tím, že budete pracovat co nejbližší kotevnímu bodu. Vždy umístěte a / nebo nastavte lano tak, aby byl bod ukotvení udržován na úrovni pasu nebo nad ním; lano je drženo napnuté; a volný pohyb je omezen na nejvýše 0,6 m (1,97 ft).
  - **Rizika:** Používání tohoto vybavení v oblastech, kde existují rizika nebezpečného prostředí, si může vyžádat další předběžná opatření pro snížení možnosti úrazu uživatele nebo poškození vybavení. Rizika mohou mj. zahrnovat: vysoké tepelné zatížení, žíravé chemikálie, korozivní prostředí, vedení vysokého napětí, výbušné nebo jedovaté plyny, pohybující se části strojů nebo nahoře zavěšené předměty, které mohou spadnout a narazit na uživatele nebo na systém jištění proti pádu. Vyvarujte se práce, při níž by se vaše bezpečnostní lano mohlo zkřížit nebo zaplést s bezpečnostním lanem jiného pracovníka. Nezačínejte práci, kde by nějaký předmět mohl spadnout a narazit na bezpečnostní lano, což by mohlo ohrozit rovnováhu nebo bezpečnostní lano poškodit. Nedovolte, aby bezpečnostní lano procházelo pod pažemi nebo mezi nohama.

## 2.0 POUŽITÍ

- 2.1 PLÁN OCHRANY PROTI PÁDU A ZÁCHRANY:** Zaměstnavatel musí mít zavedený plán ochrany proti pádu a záchrany. Tento plán musí obsahovat pokyny a požadavky na program zaměstnavatele pro zabezpečení proti pádu z výšky včetně zásad, povinností a školení, postupů ochrany proti pádu, vyloučení a řízení rizik pádu, záchranných postupů, vyšetřování nehod a hodnocení účinnosti programu.
- 2.2 ČETNOST KONTROL:** Bezpečnostní lana musí před každým použitím zkontrolovat pracovník.<sup>1</sup> Dále musí provádět kontroly kompetentní osoba<sup>2</sup> jiná než uživatel. Extrémní pracovní podmínky (nepříznivé prostředí, dlouhodobé používání atd.) si mohou vyžádat častější kontroly kompetentní osobou. Kompetentní osoba musí stanovit vhodné intervaly kontrol. Postupy kontroly jsou popsány v *Deníku kontrol a údržby (tabulka 2)*. Výsledky každé kontroly provedené kompetentní osobou musejí být zaneseny do *Deníku kontrol a údržby* nebo zaznamenány pomocí systému RFID (Radio Frequency Identification).
- 2.3 KOMPATIBILITA SOUČÁSTÍ:** Vybavení 3M jsou určena k používání výhradně se součástmi a dílčími systémy schválenými společností 3M, pokud není uvedeno jinak. Záměny a náhrady za použití neschválených prvků a dílčích systémů mohou ohrozit kompatibilitu vybavení a případně též nepříznivě ovlivnit bezpečnost a spolehlivost celého systému.
- 2.4 KOMPATIBILITA SPOJEK:** Spojky jsou považovány za kompatibilní se spojovacími prvky, pokud byly navrženy ke společné funkci tak, aby jejich rozměry a tvary nezpůsobovaly, že se jejich uzavírací ústrojí budou náhodně otevírat bez ohledu na to, jakým směrem jsou orientována. V případě dotazů týkajících se kompatibility se obraťte na společnost 3M. Spojky (háky, karabiny a úchyty ve tvaru D) musí být schopné odolat zatížení alespoň 22 kN (5 000 liber). Spojky musí být kompatibilní s kotvením a dalšími součástmi systému. Nepoužívejte nekompatibilní vybavení. Nekompatibilní spojky se mohou nechtěně rozpojit (viz obrázek 4). Spojky musejí být kompatibilní co do velikosti, tvaru a pevnosti. Jsou požadovány samojistící lanové háky a karabiny. Pokud je spojovací prvek, ke kterému se připojuje lanový hák nebo karabina, poddimenzovaný nebo má nesprávný tvar, může nastat situace, kdy spojovací prvek vyvine sílu na uzávěr lanového háku nebo karabiny (A). Tato síla může způsobit, že se otevře západka (B) a lanový hák nebo karabina se mohou uvolnit ze spojovacího bodu (C).

**1 Pracovník:** Jakákoli osoba, která je chráněna před pádem aktivním systémem jištění proti pádu; nebo v případě systému zachycení pádu osoba, která může spadnout, když je připevněna tomuto systému.

**2 Kompetentní osoba:** Osoba určená zaměstnavatelem, která je odpovědná za okamžitý dohled, provádění a monitorování programu řízení ochrany před pádem zaměstnavatele, který je prostřednictvím školení a znalostí schopen identifikovat, hodnotit a řešit existující a potenciální nebezpečí pádu. a kdo má pravomoc zaměstnavatele přijmout okamžitá nápravná opatření v souvislosti s těmito riziky.

**2.5 SPOJOVÁNÍ:** Lanové háky a karabiny používané s tímto zařízením musí být samojistící. Ujistěte se, že jsou všechny spojky kompatibilní velikosti, tvaru a síly. Nepoužívejte nekompatibilní vybavení. Ujistěte se, že jsou všechny spojky zcela uzavřeny a uzamčeny. Spojky 3M (lanové háky a karabiny) jsou navrženy pro používání pouze způsobem, který je uveden v uživatelských příručkách k jednotlivým výrobkům. Na obrázku 5 jsou uvedeny příklady chybných připojení. Nepřipojujte lanové háky a karabiny:

- A. K úchytům ve tvaru D, na které jsou napojeny další spojky.
- B. Způsobem, který by vedl k zatížení uzávěru. Velké lanové háky nesmějí být připojeny ke standardním úchytům ve tvaru D nebo k podobným předmětům, pokud daný lanový hák není vybaven uzávěrem s nosností 16 kN (3600 liber), protože tím by při zkroucení nebo otočení úchytu ve tvaru D došlo k zatížení uzávěru.
- C. U chybného zapojení, kde velikost nebo tvar spojovacích spojek nejsou kompatibilní a kde neproběhne vizuální kontrola, vypadají spojky jako plně připojené.
- D. Navzájem mezi sebou.
- E. Přímo na popruh nebo lanovou smyčku se zkracovačem či na zádový úvazek (pokud pokyny výrobce pro bezpečnostní lano i pro spojku konkrétně takové spojení nedovolují).
- F. K žádnému předmětu, který je tvarován nebo dimenzován tak, že se lanový hák nebo karabina neuzavřou a nezajistí nebo by mohlo dojít k uvolnění.
- G. Způsobem, který neumožňuje správný pohyb spojky při zatížení.

### 3.0 INSTALACE A ÚPRAVA

**3.1 PLÁNOVÁNÍ:** Před zahájením práce si naplánujte systém ochrany proti pádu. Veźměte v úvahu veškeré faktory, které mohou ovlivnit vaši bezpečnost před pádem, v průběhu pádu a po pádu. Zvažte všechny požadavky a omezení uvedené v oddíle 1.

**3.2 UKOTVENÍ:** Vyberte místo ukotvení s minimálním rizikem volného pádu a pádu s výkyvem (viz část 1). Vyberte pevný kotevní bod odolný vůči trvalému statickému zatížení definovanému v části 1.

**3.3 PŘIPOJENÍ PODPORY TĚLA:** S celotělovým postrojem nebo pásem na tělo je nutno použít zachycovací/zádržné polohovací záchytné lano. V případě použití pro zachycení pádu připojte lano ke vhodnému zádovému úchytu ve tvaru D (D kroužek) na postroji nebo na pásu. V pokynech dodaných s vaším postrojem nebo pásem vyhledejte informace o dalším použití na ochranu proti pádu a o doporučeném zapojení.

**3.4 PŘIPOJENÍ K POLOHOVACÍMU ZÁCHYTNÉMU LANU:** Během připojování dbejte na to, aby nedošlo k uvolnění. (Viz část 2.5 „Připojení“.) K uvolnění dochází, když kontakt mezi hákem a spojkou způsobí, že se zámek háku nechtěně otevře a uvolní.

- KROK 1:** Připojte pojistnou spojku lana (viz obr. 1) k levé nebo pravé části úchytu ve tvaru D na páse na tělo nebo celotělovém postroji obsluhy.
- KROK 2:** Omotejte bezpečnostní lano kolem bezpečného ukotvení schopného unést zatížení 12 kN (2 698 lb) nebo větší. Ověřte, že je bezpečnostní lano připevněno tak, aby nemohlo sklouznout pod kotvicí bod nebo kolem něj.
- KROK 3:** K druhé straně úchytu ve tvaru D připojte spojku na tělo bezpečnostního lana (viz obr. 1). Při připojení musí být hák s pojistným perem nebo zámek karabiny otočený směrem od uživatele.
- KROK 4:** Jestliže chcete lano zkrátit, zatáhněte jeho konec směrem ke kotvicímu bodu. (Obrázek 6)
- KROK 5:** Když se zakláníte, nechejte bezpečnostní lano provlečené přes polohovací zařízení. V požadované poloze polohovací zařízení uvolněte. (Obrázek 7)
- KROK 6:** Ujistěte se, že máte správné ukotvení, připojení i nastavené lano:
- Ukotvení má odpovídající nosnost.
  - Háky s pojistným perem a karabiny jsou řádně připojeny k celotělovému postroji nebo pásu na tělo.
  - Bezpečnostní lano nemůže vyklouznout nebo proklouznout kolem kotvicího bodu.
  - Bezpečnostní lano je správně napnuté.

*Hák s pojistným perem ani karabinu nepoužívejte k úvazu na lano. Obě spojky musí být připojeny k příslušné straně úchytů ve tvaru D. Nikdy nepoužívejte polohovací záchytné lano, když máte k celotělovému postroji připevněnou pouze jednu spojku.*

### 4.0 POUŽITÍ

*Uživatelé, kteří bezpečnostní lano používají poprvé nebo jen zřídka, se před použitím musí seznámit s částí „Bezpečnostní informace“ na začátku této příručky.*

**4.1 KONTROLA PRACOVNÍKEM:** Před každým použitím zkontrolujte bezpečnostní lano podle kontrolního seznamu v seznamu *Deník kontrol a údržby (tabulka 2)*. Pokud kontrola odhalí nebezpečný stav nebo ukáže, že lano bylo vystaveno jakémukoli poškození nebo pádu, musí být bezpečnostní lano vyřazeno z provozu a zlikvidováno.

**4.2 DOJDE-LI K PÁDU:** Každé bezpečnostní lano, které bylo vystaveno působení síly při zachycení pádu nebo vykazuje poškození odpovídající působení sil proti pádu, jak je popsáno v *Deníku kontrol a údržby (tabulka 2)*, musí být okamžitě vyřazeno z provozu a zlikvidováno.

**4.3 POUŽÍVÁNÍ:** Obrázek 2 ukazuje systémová připojení pro typické zachycovací/zádržné použití. Nejdříve vždy připojte konec opory těla lana k celotělovému postroji nebo tělovému pásu a poté připojte konec ramene ke vhodnému ukotvení. Vždy minimalizujte množství vůle na bezpečnostním laně v blízkosti nebezpečí pádu tím, že budete pracovat co nejbližší kotevnímu úchytu. Podrobnosti týkající se opory a připojení kotevního úchytu naleznete v části 3.

## 5.0 KONTROLA

**5.1 ČETNOST KONTROL:** Bezpečnostní lano musí procházet kontrolami v intervalech stanovených v oddílu 2. Postupy kontroly jsou popsány v „Deníku kontrol a údržby“ (tabulka 2)..

Extrémní pracovní podmínky (nepříznivé podmínky okolí, dlouhodobé používání atd.) může vyžadovat zvýšení četnosti kontrol.

**5.2 NEBEZPEČNÝ NEBO VADNÝ STAV ZAŘÍZENÍ:** Pokud kontrola odhalí nebezpečný stav nebo vadu, okamžitě dané lano vyřadte a zlikvidujte aby se zabránilo neúmyslnému opětovnému použití. Bezpečnostní lana nelze opravovat.

**5.3 ŽIVOTNOST VÝROBKU:** Funkční životnost 3M bezpečnostních lan závisí na pracovních podmínkách a údržbě. Maximální životnost může být jeden rok (intenzivní využívání v náročných podmínkách) až deset let (občasné využívání v nenáročných podmínkách). Výrobek může být v provozu maximálně 10 let, dokud vyhovuje kontrolním kritériím.

## 6.0 ÚDRŽBA, SERVIS A SKLADOVÁNÍ

Bezpečnostní lana čistěte a dezinfikujte výhradně metodami, které jsou popsány v následujících „Pokynech pro čištění“. Jiné metody mohou mít negativní účinek na lana nebo uživatele.

**6.1 ČIŠTĚNÍ:** Čistící postupy pro bezpečnostní lana jsou následující:

- Vnější povrch bezpečnostního lana pravidelně čistěte vodou a slabým mýdlovým roztokem. Teplota vody nesmí přesáhnout 40 °C (104 °F). Umístěte lano tak, aby přebytečná voda mohla odtékat. Nečistěte chemicky. Nežehlete. Dle potřeby očistěte štítky.
- Opláchněte a důkladně osušte vzduchem. Nesušte umělými zdroji tepla.

Při práci lan používejte prostředky bez bělidla. Při praní a sušení lan NEPOUŽÍVEJTE aviváž ani sušící fólie

**6.2 SERVIS:** Bezpečnostní lana nelze opravovat. Pokud bylo bezpečnostní lano vystaveno poškození nebo působení pádu nebo kontrola odhalí nebezpečný či vadný stav, okamžitě bezpečnostní lano vyřadte z provozu a zlikvidujte jej.

**6.3 DOPRAVA/SKLADOVÁNÍ:** Lana skladujte a přepravujte v chladném, suchém a čistém prostředí na místě, kde nejsou vystavena přímému slunečnímu záření. Vyvarujte se uložení v prostorách, kde se mohou vyskytovat chemické výpary. Po delším skladování bezpečnostní lano důkladně prohlédněte.

## 7.0 ŠTÍTKY

Na obrázku 8 jsou znázorněny štítky na lanech. Veškeré štítky musejí být na bezpečnostním lanu přítomny - Viz obrázek 1.

Údaje na jednotlivých štítcích:

Viz obrázek 8:	Popis:
①	Modelové číslo
②	Sériové číslo
③	Číslo šarže
④	Adresa výrobce
⑤	Viz pokyny
⑥	Evropská norma
⑦	Značka CE
⑧	Číslo notifikovaného orgánu, který vystavil osvědčení o shodě s typem.
⑨	Délka
⑩	Měsíc výroby
⑪	Rok výroby
⑫	Webová adresa výrobce
⑬	Průměr lana
⑭	Kapacita



## SIKKERHEDSOPLYSNINGER

Læs alle sikkerhedsoplysninger i denne brugervejledning, og sørg for, at du forstår og følger disse, før du bruger dette reb til positionsjustering og fastspænding. **UNDLADELSE HERAF KAN MEDFØRE ALVORLIG PERSONSKADE ELLER DØDSFALD.**

Disse anvisninger skal udleveres til brugeren af udstyret. Opbevar denne vejledning til senere brug.

### Anvendelsesformål:

Rebet til positionsjustering og fastspænding er tiltænkt brug som en del af et komplet, personligt faldsikringsystem. Reb til positionsjustering og fastspænding bruges til at forhindre brugeren i at nå eller blive udsat for en faldrisiko.

Enhver anden brug end denne, herunder, men ikke begrænset til, materialehåndtering, rekreative eller sportslige aktiviteter eller andre aktiviteter, der ikke er beskrevet i brugervejledningen, er ikke godkendt af 3M og kan medføre alvorlig skade eller død.

Denne anordning må kun benyttes af uddannede brugere til anvendelse på arbejdspladsen.

## ADVARSEL

Rebet til positionsjustering og fastspænding er en del af et personligt faldsikringsystem. Det forventes, at alle brugere er fuldt uddannede i sikker installation og drift af deres personlige faldsikringsystem. **Misbrug af denne anordning kan medføre alvorlig skade eller død.** Vedrørende korrekt valg, drift, installation, vedligeholdelse og servicering skal du se i brugervejledningen samt alle producentens anbefalinger, tal med din vejleder, eller kontakt 3M's tekniske service.

- **For at reducere risiciene ved at arbejde med et reb til positionsjustering og fastspænding, som, hvis de ikke undgås, kan medføre alvorlig skade eller død, skal du efterleve følgende:**
  - Kun bruge denne anordning til positionsjustering eller i fastspændingsanordninger. Reb til positionsjustering skal konfigureres til at begrænse det frie fald til 60 cm eller mindre og minimere svingfaldet. Reb til fastspænding skal forhindre brugeren i at nå eller blive udsat for en faldrisiko.
  - Brug aldrig denne line (dvs. en ikke-energiabsorberende line) som en primær faldsikringsanordning.
  - Efterse anordningen før hver brug, mindst én gang om året og efter et eventuelt fald, og efterse systemet i overensstemmelse med brugervejledningen.
  - Hvis der ved inspektion og eftersyn konstateres usikre eller defekte tilstande, skal anordningen tages ud af drift og destrueres.
  - Enhver anordning, som har været udsat for faldstandsning eller kraftpåvirkninger, skal straks tages ud af brug. Se brugervejledningen, eller kontakt 3M Fall Protection.
  - Sørg for, at alle forbindende undersystemer (f.eks. liner) holdes fri for alle farer, herunder eksempelvis sammenfiltring med andre arbejdere, dig selv, maskineri der bevæger sig, eller andre objekter i nærheden.
  - Sørg for korrekt kantbeskyttelse, når livlinen kan komme i kontakt med skarpe kanter eller hjørner.
  - Sørg for, at anordningen er korrekt rigget op for den tilsigtede brug.
  - Fastgør taljerebets ikke-benyttede ben til selens parkeringsmontering, hvis selen er udstyret hermed.
  - Slå ikke knude på, og bind ikke taljerebet til noget.
  - Overstig ikke antallet af tilladte brugere.
  - Sørg for, at faldsikringsystemer/-undersystemer, der er samlet fra komponenter, der er fremstillet af forskellige fabrikanter, er kompatible og opfylder kravene i relevante standarder, inklusive ANSI Z359 eller andre gældende regulativer, standarder eller krav til faldbeskyttelse. Opsøg altid en kompetent eller kvalificeret person, før du anvender disse systemer.
- **For at reducere risici i forbindelse med højdearbejde, som, hvis de ikke undgås, kan medføre alvorlig skade eller død, skal du efterleve følgende:**
  - Tilsikre, at dit helbred og din kondition gør dig i stand til at kunne modstå alle de kræfter, der er forbundet med højdearbejde, på en sikker måde, og rådfør dig med din læge, hvis du har spørgsmål vedrørende din evne til at bruge dette udstyr.
  - Aldrig overstige den tilladte kapacitet for dit faldsikringsudstyr.
  - Aldrig overstige den maksimale faldafstand fra dit faldsikringsudstyr.
  - Brug ikke faldsikringsudstyr, som ikke virker ved forudgående brug eller planlagte inspektioner, eller hvis du er bekymret for udstyrets brug eller egnethed til det tilsigtede formål, og kontakt 3M's tekniske service med eventuelle spørgsmål.
  - Kombinationer med visse delsystemer og komponenter kan forstyrre driften af dette udstyr. Brug kun kompatible forbindelser. Rådfør dig med 3M, før du bruger dette udstyr sammen med andre komponenter eller delsystemer end dem, der er beskrevet i brugervejledningen.
  - Vær særligt forsigtig, når du arbejder i nærheden af maskiner, som bevæger sig (f.eks. øverste drev på olieplatforme), elektrisk kortslutning, ekstreme temperaturer, kemiske farer, eksplosive eller giftige gasser, skarpe kanter eller under overliggende materialer, som kan falde ned på dig eller dit faldsikringsudstyr.
  - Brug Arc Flash eller Hot Works (dvs. passende beskyttelses)-anordninger, når du arbejder i miljøer med ekstrem varme.
  - Undgå overflader og genstande, som kan beskadige brugeren eller udstyret.
  - Sørg for tilstrækkelig faldafstand ved højdearbejde.
  - Faldsikringsudstyret må aldrig modificeres eller ændres. Kun 3M eller af 3M skriftligt bemyndigede parter må foretage reparationer på udstyret.
  - Før brug af faldsikringsudstyret skal du sørge for at have en redningsplan, som muliggør hurtig redning i tilfælde af fald.
  - Hvis der sker et fald, søges straks lægehjælp for den faldne arbejdstager.
  - Brug ikke et kropsbælte til anvendelser, der involverer faldsikring. Må kun benyttes med komplet kropssæle.
  - Svingfald kan minimeres ved så vidt muligt at arbejde lige under forankringspunktet.
  - Hvis der øves med denne anordning, skal der benyttes sekundært faldbeskyttelsesudstyr på en sådan måde, at lærlingen ikke udsættes for utilsigtet faldrisiko.
  - Brug altid passende, personlige værnemidler under installation, brug eller inspektion af enheden/systemet.

*Inden udstyret tages i brug, skal produktidentifikationsoplysningerne (se figur 8) noteres i "Inspektions- og vedligeholdelsesloggen" tabel 2 bag i denne vejledning.*

*Sørg altid for, at du bruger den seneste udgave af din 3M-brugervejledning. Besøg 3M-webstedet, eller kontakt 3M's tekniske service for at få opdaterede brugervejledninger.*

## BESKRIVELSE

3M™ Protecta® TRIGGER™ taljereb justerbar er beregnet til brug som del af et personligt arbejdspositioneringssystem. Arbejdspositioneringssystemer inkluderer typisk en helkropssæle eller kropsbælte, positionsjusteringstaljereb og et personligt reserve-faldstandsningssystem. Justeringssystemet kan nemt justere længden af taljerebet under brug. Dette udstyr er ikke beregnet til anvendelse som faldstandsning, og det er nødvendigt at supplere foranstaltninger for arbejdspositionering med kollektive metoder (f.eks. sikkerhedsnet) eller personlige metoder (f.eks. faldstandsningssystemer) for beskyttelse mod fald fra en højde.

Figur 1 viser arbejdspositioneringstaljereb, justerbar arbejdspositioneringstaljereb beskrevet i denne instruktion. Forskellige modeller fås med forskellige kombinationer af følgende funktioner:

**Tabel 1 – Specifikationer**

<b>KOMPONENTSPECIFIKATIONER</b>		
<b>Figur 1 reference:</b>		<b>Beskrivelse:</b>
<b>Kropskonnektor</b>	①	TRIGGER™ rebjusteringsenhed
	②	AJ514/0
	③	AJ572/0
	④	AJ501/0
<b>Rebstøttekonnektor</b>	⑤	AJ523/0
	⑥	20LF
	⑦	AJ565/0
	⑧	AJ595/0
<b>Reb</b>	⑨	Statisk reb - 10,5 mm (0,41 in.)
<b>Yderligere funktion</b>	⑩	Slidstærk beskyttende rebdækkemuffe
<b>Rebende</b>	⑪	Enkel knude i enden af rebet
<b>Mærkater</b>	⑫	Mærkater

<b>SYSTEMSPECIFIKATIONER</b>	
<b>Ydeevne:</b>	
LY	Taljerebslængde (se figur 1).
Kapacitet:	1 person med en samlet vægt (tøj, værktøj osv.) på højst: 140 kg (309 pund)
Driftstemperatur:	Minimum: -35 °C (-31 °F) Maksimum: +57 °C (135 °F)
<b>Materialer:</b>	
Enhed Kropskomponent:	Rustfrit stål, legeret stål, aluminiumslegering og gummi med elastisk styrke på 22 kN (4.946 pund)
Karabinhager:	Legeret stål, Aluminium, Rustfrit stål - 22 kN (4 946 lbf) Minimum Brudstyrke
Kroge:	Stål, rustfrit stål og zink- eller kromgalvaniseret med en elastisk styrke på 22 kN (4.946 pund)
Tov:	Nylon - 22 kN (4 946 lbf) Brudstyrke
Tov dækker:	Polyester, Nylon

## 1.0 ANVENDELSE

- 1.1 FORMÅL:** Taljereb er konstrueret til at være komponenter i et personligt faldstandsningssystem (Personal Fall Protection System, se figur 2). De kan sprede faldenergi, begrænse faldkræfter der overføres til kroppen eller bruges til arbejdspositionering eller fastholdelse, afhængig af deres type. Figur 1 identificerer de taljerebmodeller, der dækkes af denne brugsanvisning. De kan anvendes i de fleste situationer, hvor der er behov for en kombination af arbejdsmobilitet og faldsikring af arbejderen (for eksempel inspektionsarbejde, alment konstruktionsarbejde, vedligeholdelsesarbejde, olieproduktion, arbejde i indsnævrede rum osv.).
- 1.2 STANDARDER:** Dit taljereb lever op til de nationale eller regionale standarder, der er angivet på forsiden af denne brugsanvisning. Der henvises til gældende lokale krav vedrørende erhvervmæssig sikkerhed for yderligere oplysninger om personlig faldsikring. Hvis dette produkt videresælges uden for det oprindelige modtagerland, skal den person, der videresælger, sørge for vejledning i brug, vedligeholdelse, regelmæssig inspektion og reparation på sproget i det land, hvor produktet skal bruges.
- 1.3 UDDANNELSE:** Dette udstyr skal anvendes af personer, der har modtaget uddannelse i korrekt anvendelse og brug heraf. Det er brugerens ansvar at sikre, at de er bekendt med denne vejledning, og at de har modtaget uddannelse i korrekt pleje og brug af dette udstyr. Brugere skal være bekendt med funktionsmæssige egenskaber, anvendelsesbegrænsninger og konsekvenser af forkert brug.
- 1.4 KRAV:** Tag altid højde for følgende begrænsninger, når udstyret installeres eller anvendes:
- **Kapacitet:** Taljereb må kun bruges til en person med en samlet vægt (tøj, værktøj osv.), som opfylder vægtintervallet angivet i tabel 1 over denne taljerebmodel. Sørg for, at alle komponenter i systemet er klassificeret til en kapacitet, som svarer til relevante anvendelse.
  - **Forankring:** Forankringer, som vælges til faldstandsningssystemer, skal være i stand til at klare statiske belastninger i alle retninger, som er tilladt af hele systemet på mindst:
    - A. 12 kN (2 698 lb) for metalforankringer eller 18 kN (4 047 lb) for tekstilforankringer for ikke-certificerede forankringer eller
    - B. To gange den maksimale standsekraft for certificerede forankringer.Hvis tilladt baseret på forankringstype, og når der fastgøres mere end et faldstandsningssystem til en forankring, skal den styrke, som angives i (1) og (2) ovenfor, ganges med det antal systemer, som fastgøres til forankringen.
  - **Svingfald:** Svingfald sker, når forankringspunktet ikke er direkte over det punkt, hvor faldet finder sted. Den kraft, der udøves, når en genstand rammes i et svingfald, kan forårsage alvorlig personskade (se figur 3). Svingfald kan minimeres ved så vidt muligt at arbejde lige under forankringspunktet. Placer altid og / eller juster snoet på en sådan måde, at forankringspunktet holdes på eller over taljeniveauet; Snoet holdes stramt; og fri bevægelighed er begrænset til højst 0,6 m (1,97 ft).
  - **Farer:** Når dette udstyr anvendes i farlige områder, kan det være nødvendigt at træffe yderligere forholdsregler for at reducere risikoen for, at brugeren kommer til skade, eller at udstyret beskadiges. Faremomenter kan omfatte men er ikke begrænset til: stærk varme, ætsende kemikalier, korrosive miljøer, højspændingsledninger, eksplosive eller giftige gasser, kørende maskineri eller overliggende materialer, som kan falde ned og ramme brugeren eller faldstandsningssystemet. Undgå at arbejde på steder, hvor dit taljereb kan krydse eller sammenfiltes med en anden arbejders line. Undgå at arbejde på steder, hvor genstande kan falde ned, ramme taljerebet og medføre, at du mister balancen, eller at taljerebet beskadiges. Tillad ikke, at taljerebet går ind under armene eller mellem benene.

## 2.0 BRUG

- 2.1 FALDSIKRINGS- OG REDNINGSPLAN:** Arbejdsgiveren skal have faldsikrings- og redningsplan på plads. Planen bør omfatte retningslinjer og krav til en arbejdsgivers administrerede faldsikringsprogram inklusive politikker, pligter og træning, faldsikringsprocedurer, bortskaffelse og kontrol af farer ifm. fald, redningsprocedurer, hændelsesundersøgelser og evaluering af programmets effektivitet.
- 2.2 INSPEKTIONSHYPPIGHED:** Taljerebene skal efterses af arbejderen<sup>1</sup> før hvert brug. Herudover skal der udføres inspektion af en kvalificeret person<sup>2</sup>, der ikke er brugeren. Ekstreme arbejdsforhold (barsk miljø, langvarig brug osv.) kan gøre det nødvendigt at øge hyppigheden af inspektioner af den kvalificerede person. Den kompetente person skal bestemme passende intervaller for eftersyn. Inspektionsprocedurer er beskrevet i "*Inspektions- og vedligeholdelsesloggen*" (tabel 2). Resultaterne af den kvalificerede persons inspektion skal registreres i *inspektions- og vedligeholdelsesloggen* eller med radiofrekvensidentifikations (RFID)-systemet.
- 2.3 KOMPONENTERNES KOMPATIBILITET:** Medmindre andet er anført, må 3M-udstyr kun bruges sammen med 3M-godkendte komponenter og delsystemer. Udskiftning eller reparation med ikke-godkendte komponenter eller delsystemer kan bringe udstyrets kompatibilitet i fare og kan påvirke det komplette systems sikkerhed og pålidelighed.
- 2.4 KONNEKTORKOMPATIBILITET:** Konnektorer betragtes som kompatible med forbindelsesanordninger, når de er konstrueret til at fungere sammen på en sådan måde, at størrelserne og formerne ikke får deres ledmekanismer til utilsigtet at åbne sig, uanset hvordan de bliver vendt. Kontakt 3M, hvis du har spørgsmål vedrørende kompatibilitet. Konnektorer (kroge, karabinhager og D-ringe) skal kunne klare en belastning på mindst 22 kN (5.000 pund). Konnektorer skal være kompatible med forankringen og andre systemkomponenter. Anvend ikke udstyr, der ikke er kompatibelt. Ikke-kompatible konnektorer kan løsrive sig ved et uheld (se Figur 4). Konnektorer skal være kompatible med hensyn til størrelse, form og styrke. Der kræves selvslående snapkroge og karabinhager. Hvis tilslutningselementet, som en snapkrog eller karabinhage er fastgjort til, er for lille eller har en uregelmæssig form, kan der opstå en situation, hvor tilslutningselementet belaster snapkrogens eller karabinhagens led (A). Denne belastning kan medføre, at leddet åbnes (B), således at snapkrogen eller karabinhagen løsriver fra forbindelsespunktet (C).

**1 Arbejder:** Enhver person, som er beskyttet mod at falde med et aktivt faldsikringssystem; eller med et faldstandsningssystem; en person, som kan falde, mens vedkommende er fastgjort til systemet.

**2 Kvalificeret person:** Et individ, der af arbejdsgiveren er udpeget til at være ansvarlig for det umiddelbare tilsyn, implementering og overvågning af arbejdsgiverens anvendte faldsikringsprogram, som, gennem uddannelse og viden, er i stand til at identificere, vurdere og afhjælpe eksisterende og potentielle risici for fald, og som på arbejdsgiverens vegne har tilladelse til straks at træffe korrigerende foranstaltninger med hensyn til sådanne risici.



- 2.5 OPRETTELSE AF SAMMENKOBLINGER:** Snapkroge og karabinhager anvendt med dette udstyr skal være selvlåsende. Sørg for, at alle forbindelser er kompatible i størrelse, form og styrke. Anvend ikke udstyr, der ikke er kompatibelt. Sørg for, at alle konnektorer er helt lukkede og låste. 3M-konnektorer (snapkroge og karabinhager) er udelukkende konstrueret til brug som specificeret i hvert produkts brugsanvisning. Se Figur 5 for eksempler på forkerte forbindelser. Tilslut ikke snapkroge og karabinhager:
- A. Til en D-ring, som en anden konnektor er fastgjort til.
  - B. På en måde, som vil medføre belastning på leddet. Store snapkroge med halsåbning bør ikke forbindes til en D-ring i standardstørrelse eller til lignende genstande, der vil medføre en belastning på leddet, hvis kroge eller D-ringen vrides eller drejes, medmindre snapkroge er udrustet med en 16 kN-port (3.600 pund).
  - C. I en forkert sammenkobling, hvor størrelsen eller formen af de sammenkoblede forbindelser ikke er kompatible, og hvor forbindelser uden visuel bekræftelse ser ud til at være helt sammenkoblede.
  - D. Til hinanden.
  - E. Direkte til selen, taljerebet eller forankringslinen (medmindre producentens vejledning for både taljerebet og konnektor specifikt tillader en sådan tilslutning).
  - F. Til en genstand med en form eller størrelse, som gør, at snapkroge eller karabinhager ikke vil lukke og låse, eller som kan få linen til at rulle sig ud.
  - G. På en måde, som forhindrer konnektoren i at flugte korrekt under belastning.

### 3.0 INSTALLATION OG JUSTERING

- 3.1 PLANLÆGNING:** Planlæg dit faldsikringsystem, inden du starter arbejdet. Tag højde for alle faktorer, der kan påvirke din sikkerhed inden, under og efter et fald. Overvej alle krav og begrænsninger i afsnit 1.
- 3.2 FORANKRING:** Vælg et forankringssted med minimal risiko for frit fald og svingfald (se afsnit 1). Vælg et fast forankringspunkt, der er i stand til at modstå de statiske belastninger, der er beskrevet i afsnit 1.
- 3.3 FORBINDELSE DER STØTTER KROPPEN:** Fastholdelse/arbejdspositioneringstaljerebet skal bruges sammen med en helkropssele eller et kropsbælte. Ved anvendelse til fastholdelse forbindes taljerebet til den rigtige fastgørelsesanordning (D-ring) på helkropsselen eller på bæltet. Se instruktionerne der fulgte med din helkropssele eller bælte for andre faldbeskyttelsesanvendelser og anbefalede helkropsseleforbindelser.
- 3.4 FASTGØR TIL ARBEJDSPOSITIONERINGSTALJEREDET:** Sørg for at udrulning ikke kan forekomme, når der fastgøres. (Se afsnit 2.5 "Forbindelser.") Udrulning sker, når interferens mellem kroge og den tilsvarende konnektor får krogåbningssleddet til utilsigtet at åbnes og udløses.
- TRIN 1:** Forbind den låsende rebstøttekonnektor (se figur 1) til D-ringen på venstre eller højre side, som er placeret på brugerens kropsbælte eller helkropssele.
- TRIN 2:** Placer taljerebet rundt om en sikker forankring, som er i stand til at modstå belastninger på 12 kN (2 698 lb) eller højere. Kontrollér, at taljerebet er sikret på en måde, så det ikke kan glide ned eller passere forankringspunktet.
- TRIN 3:** Forbind taljerebskropskonnektoren (se figur 1) til den modsatte sides D-ring. Når forbundet, så skal snapkroge eller karabinhageåbningen vende udad og væk fra brugeren.
- TRIN 4:** For at forkorte rebet, så træk halen direkte mod forankringspunktet. (Figur 6)
- TRIN 5:** Lad rebet føres gennem justeringsmekanismen, mens du læner dig tilbage. Udløs justeringsmekanismen, når den er i den ønskede position. (Figur 7)
- TRIN 6:** Kontrollér sikker forankring, korrekte forbindelser og rebjustering:
- Korrekt forankringsstyrke.
  - Snapkrog og karabinhage er korrekt forbundet til helkropsselen eller kropsbæltet.
  - Taljerebet må ikke glide ned og kunne passere forankringspunktet.
  - Taljerebet skal være spændt korrekt.

Brug ikke snapkroge eller karabinhager til at befæste rebet. Begge konnektorer skal være forbundet til den korrekte sides D-ringe. Brug aldrig justerbare arbejdspositioneringstaljerebet med kun en konnektor fastgjort til helkropsselen.

### 4.0 DRIFT

Personer, der bruger taljerebet (taljerebet) for første gang, eller kun bruger dem sjældent, bør gennemgå "Sikkerhedsoplysninger" i starten af denne vejledning før brug af taljerebet.

- 4.1 ARBEJDERINSPEKTION:** Før hvert brug, skal det taljerebet efterses ifølge inspektionstjeklisten i *Inspektions- og vedligeholdelsesloggen (tabel 2)*. Hvis inspektionen afslører usikre forhold eller indikerer, at taljerebet er beskadiget eller har været udsat for faldkræfter, så skal taljerebet tages ud af brug og destrueres.
- 4.2 DRIFT:** Forbind altid først taljerebets kropsstøtteende til helkropsselen eller kropsbæltet, og forbind så benenden til en passende forankring. Minimer altid længden af løs line i nærheden af faldfarer ved at arbejde så tæt på forankringen som muligt. Se afsnit 3 for oplysninger vedrørende kropsstøtte og forankringsforbindelser. Kontrollér regelmæssigt fiksering og / eller justeringselementer under brug.
- 4.3 EFTER ET FALD:** Alle taljerebet, der har været udsat for kraftpåvirkningen ved at standse et fald, eller viser tegn på skader, der svarer til påvirkningen af faldstandsningkræfter som beskrevet i *Installations og vedligeholdelsesloggen (tabel 2)*, skal øjeblikkeligt tages ud af brug og destrueres.

## 5.0 INSPEKTION

**5.1 INSPEKTIONSHYPPIGHED:** Det taljereb skal efterses efter de intervaller, der er anført i afsnit 2. Inspektionsprocedurer er beskrevet i "Inspektions- og vedligeholdelsesloggen" (tabel 2).

Ekstreme arbejdsforhold (barsk miljø, langvarig brug osv.) kan gøre det nødvendigt at øge inspektionshyppigheden.

**5.2 USIKRE ELLER DEFEKTE TILSTANDE:** Hvis der ved inspektion og eftersyn konstateres usikre eller defekte tilstande, skal taljerebet omgående tages ud af drift og bortskaffes. Taljereb kan ikke repareres.

**5.3 PRODUKTETS LEVETID:** Den driftsmæssige levetid for 3M taljereb bestemmes af arbejdsbetingelser og vedligeholdelse. Maksimal levetid kan variere fra 1 år med massivt brug under ekstreme forhold til 10 år med let brug under milde forhold. Så længe produktet godkendes ved inspektionen, må det fortsat bruges i op til 10 år.

## 6.0 VEDLIGEHOLDELSE, SERVICE OG OPBEVARING

Taljerebet må ikke rengøres og desinficeres med andre metoder end dem, der er beskrevet i nedenstående rengøringsinstruktioner. Andre metoder kan have skadelige virkninger på taljerebet eller brugeren.

**6.1 RENGØRING:** Rengøringsprocedurer for taljereb er følgende:

- Rengør regelmæssigt taljerebet udvendigt med vand og en mild sæbeopløsning. Vandets temperatur må ikke overskride 40 °C (104 °F). Placer taljerebet således, at overskydende vand kan løbe ud. Må ikke renses kemisk. Må ikke stryges. Rengør mærkaterne efter behov.
- Skyl og lufttør grundigt. Undlad hurtig tørring med varme.

Brug et rengøringsmiddel uden blegemiddel, når taljerebene rengøres. Skyllemiddel eller tørrelagner MÅ IKKE bruges, når taljerebene rengøres og tørres

**6.2 SERVICE:** Taljereb kan ikke repareres. Hvis taljerebet er blevet beskadiget eller har været udsat for faldkraft, eller hvis en inspektion afslører usikre eller defekte tilstande, skal taljerebet omgående tages ud af brug og bortskaffes.

**6.3 TRANSPORT/OPBEVARING:** Opbevar og transportér taljerebene på et køligt, tørt og rent sted uden for direkte sollys. Undgå steder, hvor der kan være kemikaliedampe. Efterse altid taljerebet omhyggeligt efter længere tids opbevaring.

## 7.0 MÆRKATER

Figur 8 viser mærkaterne på de taljereb og deres placeringer. Alle mærkater skal være til stede på taljerebet - se figur 1. Hver mærkat har følgende informationer:

Figur 8 reference:	Beskrivelse:
①	Model nummer
②	Serienummer
③	Partinummer
④	Fabrikantens adresse
⑤	Se anvisningerne
⑥	Europæisk standard
⑦	CE-mærke
⑧	Nummer på bemyndiget institution der udfører overensstemmelseserklæring af modellen
⑨	Længde
⑩	Fremstillingsmåned
⑪	Fremstillingsår
⑫	Fabrikantens webadresse
⑬	Reb diameter
⑭	Kapacitet



## SICHERHEITSHINWEISE

**Vor Verwendung dieses Arbeitspositionierungs-/Rückhalteverbindungsmit­ tels für unterwegs müssen alle Sicherheitsinformationen in diesen Anweisungen gelesen, verstanden und befolgt werden. NICHTBEACHTUNG KANN ERNSTE VERLETZUNGEN ODER DEN TOD ZUR FOLGE HABEN.**

**Diese Anweisungen müssen dem Benutzer dieser Ausrüstung zur Verfügung gestellt werden. Bewahren Sie diese Anweisungen für den späteren Gebrauch auf.**

### Verwendungszweck:

Dieses Arbeitspositionierungs-/Rückhalteverbindungsmit­ tel für unterwegs ist für den Gebrauch als Teil eines kompletten persönlichen Absturz­ sicherungssystems vorgesehen. Arbeitspositionierungs-/Rückhalteverbindungsmit­ tel werden verwendet, um den Benutzer vom Erreichen einer Absturz­ gefahr zurückzuhalten.

Die Verwendung in anderen Anwendungen, u. a. bei Materialtransport, Freizeitaktivitäten, Sportaktivitäten oder anderen, nicht in der Bedienungsanleitung beschriebenen Aktivitäten, wird nicht durch 3M genehmigt und kann zu schweren Verletzungen oder zum Tod führen.

Dieses Gerät darf nur von Personen verwendet werden, die in der Verwendung des Geräts am Arbeitsplatz geschult sind.

## WARNUNG

Dieses Arbeitspositionierungs-/Rückhalteverbindungsmit­ tel für unterwegs ist Teil eines persönlichen Absturz­ sicherungssystems. Es wird erwartet, dass alle Benutzer vollständig in dem sicheren Zusammenbau und der Bedienung ihres persönlichen Absturz­ sicherungssystems geschult werden. **Der unsachgemäße Gebrauch dieses Geräts kann ernste Verletzungen oder den Tod zur Folge haben.** Informationen zur richtigen Auswahl, Bedienung, Installation, Wartung und Instandhaltung sind der Bedienungsanleitung und den Herstellerempfehlungen zu entnehmen, oder wenden Sie sich an Ihren Vorgesetzten oder an den technischen Service von 3M.

- **Maßnahmen zur Reduzierung der Risiken (die, wenn sie nicht vermieden werden, zu schweren Verletzungen oder zum Tod führen können) im Zusammenhang mit einem Arbeitspositionierungs-/Rückhalteverbindungsmit­ tel für unterwegs:**
  - Dieses Gerät nur in Anwendungen der Arbeitspositionierung oder zum Rückhalten für unterwegs verwenden. Verbindungsmit­ tel für die Arbeitspositionierung müssen so konfiguriert sein, dass sie den freien Fall auf 60 cm (zwei Fuß) oder weniger begrenzen und Pendelstürze minimieren. Rückhalteverbindungsmit­ tel müssen den Benutzer vom Erreichen einer Absturz­ gefahr zurückhalten.
  - Dieses Verbindungsmit­ tel (d. h. ein Verbindungsmit­ tel, das keine Energie absorbiert) niemals als primäre Absturz­ sicherung verwenden.
  - Überprüfen Sie das Gerät vor jeder Verwendung, mindestens aber jährlich und nach jedem Absturz. Überprüfen Sie gemäß den Benutzeranweisungen.
  - Sollte die Inspektion einen gefährlichen Zustand oder Defekt aufzeigen, so nehmen Sie das Gerät aus dem Betrieb und zerstören Sie es.
  - Jedes Gerät, das einer Absturz­ sicherung oder Aufprallkräften ausgesetzt war, muss sofort aus dem Betrieb genommen werden. Sehen Sie in den Benutzeranweisungen nach oder kontaktieren Sie 3M Fall Protection.
  - Stellen Sie sicher, dass alle Verbindungs­ Teilsysteme (z. B. Verbindungsmit­ tel) von allen Gefahren ferngehalten werden, u. a. Verwicklung bzw. Verfangen mit anderen Arbeitern, dem eignen Körper, sich bewegendes Maschinen oder umliegenden Gegenständen.
  - Stellen Sie sicher, dass ein angemessener Kantenschutz verwendet wird, wenn das Sicherungsseil mit scharfen Kanten oder Ecken in Kontakt kommt.
  - Stellen Sie sicher, dass das Gerät für den geplanten Einsatz entsprechend ausgestattet ist.
  - Befestigen Sie das lose Ende des Verbindungsmit­ tels an mindestens einem Verbindungsstück am Auffanggurt, falls vorhanden.
  - Das Verbindungsmit­ tel nicht binden oder kneten.
  - Die Anzahl der zulässigen Benutzer nicht überschreiten.
  - Stellen Sie sicher, dass Absturz­ sicherungssysteme/Teilsysteme, die aus Komponenten von verschiedenen Herstellern zusammengebaut werden, zueinander passen und den Anforderungen von geltenden Normen, einschließlich ANSI Z359 oder anderen gültigen Absturz­ sicherungsrichtlinien, Standards oder Anforderungen entsprechen. Ziehen Sie stets einen Sachkundigen oder eine qualifizierte Person zurate, bevor Sie diese Systeme verwenden.
- **Maßnahmen zur Reduzierung der Risiken (die, wenn sie nicht vermieden werden, zu schweren Verletzungen oder zum Tod führen können) im Zusammenhang mit Arbeiten in der Höhe:**
  - Stellen Sie sicher, dass Ihre gesundheitliche und körperliche Verfassung allen Kräften im Zusammenhang mit Arbeiten in der Höhe sicher standhalten kann. Konsultieren Sie Ihren Arzt, wenn Sie Fragen bezüglich Ihrer Fähigkeit haben, diese Ausrüstung zu verwenden.
  - Niemals die zulässige Belastbarkeit für Ihre Absturz­ sicherungsausrüstung überschreiten.
  - Niemals die maximale Strecke des Absturzes Ihrer Absturz­ sicherungsausrüstung überschreiten.
  - Verwenden Sie keine Absturz­ sicherungsausrüstung, die die Prüfung vor dem Einsatz oder andere geplante Prüfungen nicht bestanden haben, oder wenn Sie Bedenken über die Verwendung oder Tauglichkeit dieser Ausrüstung für Ihren Anwendungsbereich haben. Bei allen Fragen wenden Sie sich an den technischen Kundendienst von 3M.
  - Manche Kombinationen mit Teilsystemen und Komponenten können die Funktionsweise dieser Ausrüstung beeinträchtigen. Nur kompatible Verbindungselemente verwenden. Konsultieren Sie 3M, bevor Sie diese Ausrüstung in Kombination mit anderen Komponenten oder Untersystemen verwenden als denen, die in dieser Bedienungsanleitung beschrieben sind.
  - Bei der Arbeit in der Nähe von beweglichen Maschinen (z. B. Kraftdrehknopf von Ölplattformen), elektrischen Gefahrenherden, extremen Temperaturen, chemischen Gefahren, explosiven oder toxischen Gasen, scharfen Kanten oder unterhalb von über dem Kopf befindlichen Materialien, die auf Sie oder Ihre Absturz­ sicherung fallen könnten, besonders vorsichtig vorgehen.
  - Bei Arbeiten in Umgebungen mit hohen Temperaturen Vorrichtungen für Schweißlichtbogen oder Heißarbeiten verwenden.
  - Oberflächen und Gegenstände vermeiden, die dem Benutzer oder der Ausrüstung schaden könnten.
  - Stellen Sie bei Arbeiten in der Höhe einen angemessenen Fallraum sicher.
  - Niemals versuchen, die Absturz­ sicherung zu modifizieren. Nur 3M oder Dritte, die hierzu schriftlich von 3M autorisiert sind, dürfen Reparaturen an der Ausrüstung vornehmen.
  - Vergewissern Sie sich vor dem Einsatz der Absturz­ sicherung, dass ein Rettungsplan vorliegt, durch dessen Mittel eine unverzügliche Rettung bei einem Absturz ermöglicht wird.
  - Wenn es zu einem Absturz kommt, muss für den abgestürzten Arbeiter sofort ein Arzt hinzugezogen werden.
  - Verwenden Sie für Absturz­ sicherungsanwendungen keinen Haltegurt. Verwenden Sie nur einen Ganzkörper­ Auffanggurt.
  - Minimieren Sie Pendelstürze, indem Sie so nahe wie möglich am Verankerungspunkt arbeiten.
  - Beim Training mit dieser Vorrichtung muss ein zweites Absturz­ sicherungssystem in der Weise angewendet werden, dass der Trainingsteilnehmer keiner unbeabsichtigten Absturz­ gefahr ausgesetzt wird.
  - Beim Zusammenbau, der Verwendung oder Prüfung der Vorrichtung stets eine entsprechende persönliche Schutzausrüstung tragen.

Bevor Sie die Ausrüstung verwenden, übertragen Sie die Informationen zur Produktidentifikation (siehe Abbildung 8) in das Inspektions- und Wartungsprotokoll, Tabelle 2, dieses Handbuchs.

Stellen Sie immer sicher, dass Sie die neueste Version Ihrer 3M-Bedienungsanleitung verwenden. Aktualisierte Bedienungsanleitungen erhalten Sie über die 3M-Website oder 3M Technical Services.

## BESCHREIBUNG

Das 3M™ Protecta® TRIGGER™ Verbindungsmittel ist verstellbar kann als Teil des persönlichen Arbeitspositionierungssystems verwendet werden. Arbeitspositionierungssysteme bestehen in der Regel aus einem Auffanggurt oder Haltegurt, Verbindungsmittel für die Arbeitspositionierung und einem persönlichen Absturzsicherungssystem als Backup. Das Anpassungssystem bietet eine Möglichkeit zur einfachen Anpassung der Länge des Verbindungsmittels während des Einsatzes. Diese Ausrüstung ist nicht zu Absturzsicherungszwecken geeignet und es könnte erforderlich sein, Anordnungen für die Arbeitspositionierung mit Auffangmitteln (z. B. Sicherheitsnetzen) oder persönlichen Systemen zum Schutz vor Stürzen aus der Höhe (z. B. Absturzsicherungssysteme) zu ergänzen.

Abbildung 1 zeigt die Verbindungsmittel für die Arbeitspositionierung und einstellbare Verbindungsmittel für die Arbeitspositionierung, die in dieser Bedienungsanleitung beschrieben sind. Verschiedene Modelle sind mit verschiedenen Kombinationsmöglichkeiten der folgenden Besonderheiten lieferbar:

**Tabelle 1 – Spezifikationen**

<b>SPEZIFIKATIONEN DER KOMPONENTEN</b>		
<b>Abbildung 1 Referenzen:</b>		<b>Beschreibung:</b>
<b>Gurtverbindungselement</b>	①	TRIGGER™ Seilkürzervorrichtung
	②	AJ514/0
	③	AJ572/0
	④	AJ501/0
<b>Seilunterstützungs-Verbindungselement</b>	⑤	AJ523/0
	⑥	20LF
	⑦	AJ565/0
	⑧	AJ595/0
<b>Seile</b>	⑨	Statisches Seil – 10,5 mm (0,41 in.)
<b>Weitere Besonderheiten</b>	⑩	Abriebfester Seilschutzmantel
<b>Seilende</b>	⑪	Einfacher Knoten am Ende des Seils
<b>Etiketten</b>	⑫	Etiketten

## SYSTEMSPEZIFIKATIONEN

### Leistung:

LY	Länge des Verbindungsmittels (siehe Abbildung 1).
Tragfähigkeit:	1 Person mit einem Gesamtgewicht (einschließlich Kleidung, Werkzeuge usw.) von maximal: 140 kg (309 lbs)
Betriebstemperatur:	Min.: -35 °C (-31 °F) Max.: +57 °C (135 °F)

### Materialien:

Vorrichtung Körperkomponente:	Edelstahl, legierter Stahl, Aluminiumlegierung und Gummi – 22 kN (4.946 lbs) Zugfestigkeit
Karabiner:	Legierter Stahl, Aluminium, Edelstahl - 22 kN (4 946 lbf) Minimum Zugfestigkeit
Haken:	Stahl, Edelstahl und verzinkt oder verchromt – 22 kN (4.946 lbs) Zugfestigkeit
Seile:	Nylon - 22 kN (4 946 lbf) Zugfestigkeit
Seilabdeckungen:	Polyester, Nylon

## 1.0 ANWENDUNGEN

- 1.1 ZWECK:** Verbindungsmittel dienen als Bestandteil einer Persönliche Schutzausrüstung gegen Absturz (siehe Abbildung 2). Diese können die Sturzenergie ableiten, die auf den Körper übertragenen Sturzkräfte begrenzen oder je nach Typ für die Arbeitspositionierung und Rückhaltung verwendet werden. Abbildung 1 zeigt die Verbindungsmittelmodelle, für die diese Bedienungsanleitung gilt. Diese können in den meisten Situationen eingesetzt werden, in denen die uneingeschränkte Beweglichkeit der Arbeiter und eine Absturzsicherung erforderlich sind (z. B. Inspektionsarbeiten, allgemeine Bauindustrie, Wartungsarbeiten, Ölproduktion, Arbeiten in beengten Räumen usw.).
- 1.2 NORMEN:** Ihr Verbindungsmittel entspricht der/den nationalen oder regionalen Norm(en), die auf der Vorderseite dieses Handbuchs angegeben ist/sind. Sehen Sie die lokalen oder nationalen Anforderungen zum Arbeitsschutz bezüglich der persönlichen Absturzsicherung für weitere Informationen bezüglich der Absturzsicherung. Wenn dieses Produkt außerhalb des ursprünglichen Bestimmungslandes wiederverkauft wird, muss der Wiederverkäufer diese Anweisungen in der Sprache des Landes zur Verfügung stellen, in dem das Produkt verwendet werden wird.
- 1.3 TRAINING:** Die Ausrüstung muss von Personen, die in der richtigen Anwendung geschult sind, installiert und verwendet werden. Es obliegt der Verantwortung des Benutzers, mit diesen Anweisungen vertraut zu sein und in der richtigen Pflege und Handhabung dieser Ausrüstung geschult zu werden. Der Benutzer muss sich auch der Betriebseigenschaften, der Grenzen der Anwendbarkeit und der Konsequenzen eines unsachgemäßen Gebrauchs bewusst sein.
- 1.4 ANFORDERUNGEN:** Berücksichtigen Sie beim Installieren oder Verwenden dieser Ausrüstung stets folgende Einschränkungen:
- **Tragfähigkeit:** Verbindungsmittel sind für eine Person mit einem kombinierten Gewicht (Kleidung, Werkzeuge usw.) vorgesehen, die den Anforderungen der in Tabelle 1 der Verbindungsmittelmodelle aufgeführten Gewichtsbereichen entsprechen. Stellen Sie sicher, dass alle Komponenten Ihres Systems für die Nennkapazität der entsprechenden Anwendung ausgelegt sind.
  - **Verankerung:** Alle für Absturzsicherungssysteme ausgewählte Verankerungen müssen über die Stärke zum Halten statischer Lasten in den vom System zulässigen Richtungen verfügen, mit folgenden Mindestwerten:
    - A. 12 kN (2 698 lb) für Metallverankerungen oder 18 kN (4 047 lb) für Textilverankerungen für nicht zertifizierte Anschlagpunkte oder
    - B. das doppelte der maximale Kräfteinwirkung für zertifizierte Anschlagpunkte.Falls zulässig und basierend auf dem Verankerungstyp muss, wenn mehrere Absturzsicherungssysteme an der selben Verankerung befestigt werden, die in (1) und (2) genannten Kräfte mit den an der Verankerung befestigten Systemen multipliziert werden.
  - **Pendelstürze:** Pendelstürze treten auf, wenn der Verankerungspunkt nicht direkt oberhalb des Absturzpunkts liegt. Die Kraft des Aufpralls auf ein Objekt kann bei einem Pendelsturz schwere Verletzungen hervorrufen (siehe Abbildung 3). Minimieren Sie Pendelstürze, indem Sie so nahe wie möglich am Verankerungspunkt arbeiten. Positionieren und / oder justieren Sie das Lanyard immer so, dass der Verankerungspunkt auf oder über Taillenhöhe bleibt. Das Schlüsselband ist straff gespannt. Der freie Verkehr ist auf höchstens 0,6 m beschränkt.
  - **Gefahren:** Die Verwendung dieser Ausrüstung in Bereichen mit Umweltgefahren kann zusätzliche Sicherheitsmaßnahmen erfordern, um die Verletzungsgefahr und Schäden an der Ausrüstung zu vermeiden. Zu den Gefahren zählen unter anderem, aber ohne Einschränkung: große Hitze, ätzende Chemikalien, korrosive Umgebungen, Hochspannungsleitungen, explosive oder giftige Gase, bewegliche Maschinen oder Material über Kopf, das herunterfallen und den Anwender oder das Absturzsicherungssystem treffen kann. Das Arbeiten in Bereichen, in denen sich Ihr Verbindungsmittel mit dem eines anderen Arbeiters kreuzen oder verheddern könnte, muss vermieden werden. Vermeiden Sie das Arbeiten in Bereichen, in denen Objekte fallen und das Verbindungsmittel treffen können, da hierdurch das Gleichgewicht gestört oder das Verbindungsmittel beschädigt werden kann. Das Verbindungsmittel darf nicht unter die Arme oder zwischen die Beine rutschen.

## 2.0 VERWENDUNG

- 2.1 ABSTURZSICHERUNGS- UND RETTUNGSPLAN:** Der Arbeitgeber muss über einen Absturzsicherungs- und Rettungsplan verfügen. Der Plan sollte Richtlinien und Anforderungen für das verwaltete Absturzsicherungsprogramm eines Arbeitgebers bieten, u. a. Leitfäden, Pflichten und Training, Absturzsicherungsverfahren, das Eliminieren und Kontrollieren von Sturzgefahren, Rettungsverfahren, Vorfallduntersuchungen und die Bewertung der Programmeffektivität.
- 2.2 INSPEKTIONSHÄUFIGKEIT:** Verbindungsmittel müssen von dem jeweiligen Arbeiter<sup>1</sup> vor jedem Einsatz geprüft werden. Zusätzlich sind Inspektionen von einem Sachkundigen<sup>2</sup>, der nicht der Benutzer ist, durchzuführen. Extreme Arbeitsbedingungen (raue Umweltbedingungen, längere Verwendung usw.) können häufigere Inspektionen durch einen Sachkundigen erforderlich machen. Der Sachkundige muss geeignete Inspektionsintervalle festlegen. Die Inspektionsverfahren werden im „Inspektions- und Wartungsprotokoll“ (Tabelle 2) beschrieben. Die Ergebnisse jeder Inspektion durch einen Sachkundigen müssen im *Inspektions- und Wartungsprotokoll* oder im RFID-System aufgezeichnet werden.
- 2.3 KOMPATIBILITÄT DER KOMPONENTEN:** Sofern nicht anders angegeben, ist die Ausrüstung von 3M nur zur Verwendung mit den von 3M freigegebenen Komponenten und Subsystemen ausgelegt. Ein Austausch durch nicht genehmigte Komponenten oder Teilsysteme kann die Kompatibilität der Ausrüstung aufs Spiel setzen und die Sicherheit und Zuverlässigkeit des kompletten Systems gefährden.
- 2.4 KOMPATIBILITÄT DER VERBINDUNGSELEMENTE:** Verbindungsmittel sind mit Verbindungselementen kompatibel, wenn sie in Größe und Form so konzipiert sind, dass sie zusammenarbeiten, ohne dass sich ihre Verschlussmechanismen versehentlich öffnen, unabhängig davon, wie sie ausgerichtet sind. Kontaktieren Sie 3M, wenn Sie Fragen zur Kompatibilität haben. Verbindungselemente (Haken, Karabiner und Auffangösen) müssen eine Belastung von mindestens 22 kN (5.000 lbs) unterstützen. Die Verbindungselemente müssen mit der Verankerung oder anderen Systemkomponenten kompatibel sein. Verwenden Sie keine Ausrüstung, die nicht kompatibel ist. Nicht kompatible Verbindungsmittel können sich ungewollt lösen (siehe Abbildung 4). Die Verbindungselemente müssen in Größe, Form und Belastbarkeit kompatibel sein. Schnapphaken und Karabiner sind erforderlich. Wenn das Verbindungselement, an das ein Schnapphaken oder Karabiner angeschlossen wird, zu klein ist oder eine unregelmäßige Form aufweist, kann es dazu kommen, dass das Verbindungselement Druck auf den Verschluss

**1 Arbeiter:** Jede Person, die durch ein aktives Absturzsicherungssystem vor Stürzen geschützt ist, oder im Falle eines Absturzsicherungssystems, eine Person, die fallen könnte, während sie an das System angeschlossen ist.

**2 Sachkundiger:** Eine vom Arbeitgeber bestimmte Person, die für die unmittelbare Beaufsichtigung, Implementierung und Überwachung des verwalteten Absturzsicherungsprogramms des Arbeitgebers verantwortlich ist. Diese Person kann durch Schulung und Wissen bestehende und potentielle Sturzgefahren identifizieren, bewerten und beheben und hat die Genehmigung des Arbeitgebers, sofortige Korrekturmaßnahmen hinsichtlich solcher Gefahren zu ergreifen.

des Karabiners (A) ausübt. Dieser Druck kann dazu führen, dass sich der Verschluss öffnet (B), sodass sich der Schnapphaken oder Karabiner vom Verbinderpunkt (C) löst.

**2.5 ANSCHLAGEN:** Verwenden Sie mit dieser Ausrüstung nur Schnapphaken und Karabiner. Prüfen Sie, ob alle Verbindungen in Größe, Form und Festigkeit kompatibel sind. Verwenden Sie keine Ausrüstung, die nicht kompatibel ist. Vergewissern Sie sich, dass alle Verbindungselemente vollständig geschlossen und verriegelt sind. Verbindungselemente von 3M (Schnapphaken und Karabiner) dürfen nur wie in der Bedienungsanleitung des jeweiligen Produktes angegeben verwendet werden. Abbildung 5 zeigt Beispiele für falsche Verbindungselemente. Schnapphaken und Karabiner dürfen nicht wie folgt befestigt werden:

- A. An einer Auffangöse, an der ein anderes Verbindungselement befestigt ist.
- B. Auf eine Weise, die den Verschluss belastet. Schnapphaken mit großer Maulöffnung sollten nicht an Auffangösen oder ähnlichen Objekten in Standardgröße angebracht werden, da der Verschluss sonst belastet wird, wenn sich der Haken oder die Auffangöse dreht, es sei denn, der Karabinerhaken verfügt über einen Verschluss, der einer Belastung von 16 kN (3.600 lb) standhält.
- C. In einem falschen Rasthaken, wo die Größe oder Form der Verbindungselemente nicht kompatibel ist und wo die Verbindungselemente ohne visuelle Bestätigung voll eingerastet scheinen.
- D. Aneinander.
- E. Direkt an einem Gurtband, Verbindungsmittel oder Tie Back Verbindungsmittel (außer es ist laut Anweisungen des Herstellers ausdrücklich erlaubt, die Verbindungselemente auf diese Weise anzuschließen).
- F. An einem Objekt, das eine Größe und Form aufweist, die verhindern, dass der Karabinerhaken oder Karabiner verschlossen und verriegelt werden kann, oder dazu führen, dass sich der Haken löst.
- G. Auf eine Weise, in der das Verbindungselement sich unter Last nicht richtig ausrichten kann.

### 3.0 MONTAGE UND ANPASSUNG

**3.1 PLANUNG:** Planen Sie den Einsatz des Absturzschutzsystems, bevor Sie mit der Arbeit beginnen. Berücksichtigen Sie alle Faktoren, die Ihre Sicherheit vor, während und nach einem Absturz beeinträchtigen könnten. Beachten Sie alle in Abschnitt 1 beschriebenen Anforderungen und Einschränkungen.

**3.2 VERANKERUNG:** Wählen Sie eine Verankerungsstelle mit einem Minimum an Freifall- und Schwinggefahren (siehe Abschnitt 1). Wählen Sie einen starren Verankerungspunkt, der den in Abschnitt 1 beschriebenen statischen Lasten standhält.

**3.3 KÖRPERUNTERSTÜTZUNGSVERBINDUNG:** Verbindungsmittel für die Rückhaltung/Arbeitspositionierung müssen mit einem Auffanggurt oder Haltegurt verwendet werden. Verbinden Sie das Verbindungsmittel für Rückhaltenanwendungen mit dem entsprechenden Befestigungselement (Auffangöse) am Auffanggurt oder am Gürtel. Informationen zu anderen Absturzschutzanwendungen und empfohlenen Auffanggurtverbindungen finden Sie in der mit Ihrem Auffanggurt oder Gürtel mitgelieferten Anleitung.

**3.4 VERBINDEN MIT DEM VERBINDUNGSMITTEL FÜR DIE ARBEITSPOSITIONIERUNG:** Stellen Sie beim Anschließen sicher, dass kein Herausrollen erfolgen kann. (Siehe Abschnitt 2.5 „Verbindungen“) Ein Herausrollen könnte passieren, wenn sich durch eine fehlerhafte Verbindung des Hakens mit dem entsprechenden Gegenstück-Verbindungselement der Hakenverschluss unbeabsichtigt öffnet und der Haken sich löst.

- Schritt 1:** Verbinden Sie das Seilunterstützungs-Verbindungselement (siehe Abbildung 1) mit der linken oder rechten Auffangöse am Haltegurt oder Auffanggurt des Benutzers.
- Schritt 2:** Legen Sie das Verbindungsmittel um eine sichere Verankerung, die in der Lage ist, Lasten von 12 kN (2 698 lb) oder mehr aufzunehmen. Prüfen Sie, ob das Verbindungsmittel so gesichert ist, dass es nicht abrutschen oder über den Verankerungspunkt hinaus rutschen kann.
- Schritt 3:** Verbinden Sie das Gurtverbindungselement des Verbindungsmittels (siehe Abbildung 1) mit der gegenüberliegenden Auffangöse. Nach dem Anschließen muss der Schnapphaken oder das Karabinerschloss nach außen und vom Benutzer weg zeigen.
- Schritt 4:** Ziehen Sie zum Verkürzen des Seils das Ende des Seils direkt in Richtung des Anschlagpunktes. (Abbildung 6)
- Schritt 5:** Lassen Sie das Seil beim Zurücklehnen durch den Seilkürzer laufen. Geben Sie den Seilkürzer frei, wenn dieser sich in der gewünschten Position befindet. (Abbildung 7)
- Schritt 6:** Sicherstellen der festen Verankerung, der ordnungsgemäßen Verbindungen und der Seileinstellung:
- Ausreichende Verankerungsstärke.
  - Ordnungsgemäß am Auffanggurt oder Haltegurt angeschlossene Schnapphaken und Karabiner.
  - Das Verbindungsmittel kann nicht über den Anschlagpunkt hinausrutschen.
  - Das Verbindungsmittel ist richtig gespannt.

Verwenden Sie nicht den Schnapphaken oder den Karabiner, um das Seil zurückzubinden. Beide Verbindungselemente müssen an die entsprechenden seitlichen Auffangösen angeschlossen werden. Verwenden Sie niemals das verstellbare Verbindungsmittel für die Arbeitspositionierung, wenn nur ein Verbindungselement am Auffanggurt befestigt ist.

### 4.0 EINSATZ

Erstmalige oder seltene Benutzer von Verbindungsmitteln n (Verbindungsmittel) sollten vor der Verwendung des Verbindungsmittels die „Sicherheitsinformationen“ am Anfang dieses Handbuchs lesen.

**4.1 ARBEITERINSPEKTION:** Prüfen Sie das Verbindungsmittel vor jeder Verwendung anhand der Inspektionsprüfliste im *Inspektions- und Wartungsprotokoll (Tabelle 2)*. Wenn sich bei der Inspektion ein unsicherer Zustand ergibt oder angezeigt wird, dass das Verbindungsmittel Schäden aufweist oder Sturzkräften ausgesetzt war, muss das Verbindungsmittel außer Betrieb gesetzt und zerstört werden.

**4.2 EINSATZ:** Verbinden Sie zuerst das körperunterstützende Ende des Verbindungsmittels mit dem Auffanggurt oder Haltegurt und anschließend das Strangende mit einem geeigneten Anschlagpunkt. Minimieren Sie immer das Spiel im Verbindungsmittel nahe einer Absturzgefahr, indem Sie so nahe wie möglich an der Verankerung arbeiten.

In Abschnitt 3 finden Sie Einzelheiten zur Körperunterstützung und Verankerungsverbindung. Kontrollieren Sie regelmäßig die Befestigungs- und / oder Einstellelemente während des Gebrauchs.

**4.3 NACH EINEM STURZ:** Alle Verbindungsmittel, die Kräften einer Sturzenergie ausgesetzt waren oder Schäden aufweisen, die denen entsprechen, die beim Abfangen einer Sturzenergie auftreten und im *Inspektions- und Wartungsprotokoll (Tabelle 2)* beschrieben sind, müssen sofort entfernt und vernichtet werden.

## 5.0 INSPEKTION

**5.1 UNTERSUCHUNGSHÄUFIGKEIT:** Das Verbindungsmittel muss in den in Abschnitt 2 festgelegten Abständen geprüft werden. Die Inspektionsaktivitäten werden im *„Inspektions- und Wartungsprotokoll“ (Tabelle 2)* beschrieben.

*Extreme Arbeitsbedingungen (raue Umweltbedingungen, andauernde Verwendung usw.) können eine häufigere Überprüfung erforderlich machen.*

**5.2 GEFAHREN- ODER MÄNGELZUSTÄNDE:** Falls die Überprüfung einen unsicheren oder mangelhaften Zustand ergeben sollte, verwenden Sie das Verbindungsmittel nicht mehr und machen Sie dieses unbrauchbar, um eine unbeabsichtigte Verwendung zu verhindern. Verbindungsmittel können nicht repariert werden.

**5.3 PRODUKTLEBENSDAUER:** Die funktionelle Haltbarkeit des Verbindungsmittels von 3M wird von den Arbeitsbedingungen und der Wartung bestimmt. Die maximale Lebensdauer kann von einem Jahr bei starker Nutzung unter Extrembedingungen bis zu zehn Jahren bei leichter Nutzung unter unproblematischen Bedingungen reichen. Solange das Produkt die Inspektionskriterien erfüllt, kann es bis zu maximal 10 Jahre in Betrieb bleiben.

## 6.0 WARTUNG, REPARATUR UND AUFBEWAHRUNG

*Zum Reinigen und Desinfizieren des Verbindungsmittels dürfen ausschließlich die im folgenden Abschnitt „Reinigungsanleitung“ beschriebenen Verfahren genutzt werden. Das Verwenden anderer Verfahren kann zu unerwünschten Auswirkungen auf die Verbindungsmittel oder Benutzer führen.*

**6.1 REINIGUNG:** Die Reinigungsverfahren für das Verbindungsmittel sind wie folgt:

- Reinigen Sie die Außenseite des Verbindungsmittels regelmäßig mit Wasser und einer milden Seifenlösung. Die Wassertemperatur darf 40 °C (104 °F) nicht überschreiten. Positionieren Sie das Verbindungsmittel so, dass überschüssiges Wasser abfließen kann. Es darf keine chemische Reinigung vorgenommen werden. Es darf nicht gebügelt werden. Reinigen Sie die Etiketten bei Bedarf.
- Ausspülen und gründlich an der Luft trocknen lassen. Trocknen Sie das Gerät nicht durch Erwärmen.

*Verwenden Sie zum Reinigen des Verbindungsmittels ein bleichmittelfreies Reinigungsmittel. Weichspüler oder Trocknerblätter sollten NICHT zum Reinigen und Trocknen des Verbindungsmittels verwendet werden.*

**6.2 SERVICE:** Verbindungsmittel können nicht repariert werden. Wenn das Verbindungsmittel einen Sturz aufgefangen hat oder wenn bei der Inspektion ein unsicherer oder mangelhafter Zustand festgestellt wird, nehmen Sie das Verbindungsmittel außer Betrieb und entsorgen Sie es.

**6.3 LAGERUNG/TRANSPORT:** Transportieren und lagern Sie Verbindungsmittel an einem kühlen, trockenen und sauberen Ort, der vor direkter Sonneneinstrahlung geschützt ist. Setzen Sie das Produkt keinen chemischen Dämpfen aus. Kontrollieren Sie das Verbindungsmittel nach jeder längeren Lagerung.

## 7.0 ETIKETTEN

Abbildung 8 zeigt Etiketten der Verbindungsmittel und deren Positionen. Alle Etiketten müssen am Verbindungsmittel vorhanden sein - siehe Abbildung 1. Folgende Angaben sind auf jedem Aufkleber enthalten:

Abbildung 8 Referenz:	Beschreibung:
①	Modell-Nr
②	Seriennummer
③	Chargennummer
④	Adresse des Herstellers
⑤	Siehe Anweisungen
⑥	Europäischer Standard
⑦	CE-Zeichen
⑧	Nummer der benannten Stelle zur Überprüfung der Typenkonformität
⑨	Länge
⑩	Herstellungsmonat
⑪	Herstellungsjahr
⑫	Webadresse des Herstellers
⑬	Seildurchmesser
⑭	Kapazität





## ΠΛΗΡΟΦΟΡΙΕΣ ΑΣΦΑΛΕΙΑΣ

**Παρακαλούμε διαβάστε, κατανοήστε και ακολουθήστε όλες τις πληροφορίες ασφαλείας που περιέχονται στις παρούσες οδηγίες πριν από τη χρήση αυτού του σχοινιού συγκράτησης στη θέση εργασίας/ανάσχεσης μετακίνησης. ΕΑΝ ΔΕΝ ΤΗΡΗΣΕΤΕ ΤΑ ΠΑΡΑΠΑΝΩ, ΜΠΟΡΕΙ ΝΑ ΠΡΟΚΛΗΘΕΙ ΣΟΒΑΡΟΣ ΤΡΑΥΜΑΤΙΣΜΟΣ Ή ΘΑΝΑΤΟΣ.**

**Οι οδηγίες αυτές πρέπει να παρέχονται στον χρήστη του εξοπλισμού αυτού. Διατηρήστε αυτές τις οδηγίες για μελλοντική αναφορά.**

### Προβλεπόμενη χρήση:

Αυτό το σχοινί συγκράτησης στη θέση εργασίας/ανάσχεσης μετακίνησης προορίζεται για χρήση ως μέρος ενός πλήρους ατομικού συστήματος προστασίας από πτώση. Τα σχοινιά συγκράτησης στη θέση εργασίας/ανάσχεσης μετακίνησης χρησιμοποιούνται για να εμποδίσουν τον χρήστη να υποβληθεί ή να εκτεθεί σε κίνδυνο πτώσης.

Η χρήση σε οποιαδήποτε άλλη εφαρμογή που περιλαμβάνει, χωρίς περιορισμούς, χειρισμό υλικών, ψυχαγωγικές ή αθλητικές δραστηριότητες, ή άλλες δραστηριότητες οι οποίες δεν περιγράφονται στις Οδηγίες Χρήστη, δεν είναι εγκεκριμένη από την 3M και μπορεί να προκαλέσει σοβαρό τραυματισμό ή θάνατο.

Αυτό το σύστημα προορίζεται αποκλειστικά για χρήση από εκπαιδευμένους χρήστες σε εφαρμογές στον χώρο εργασίας.

## ΠΡΟΕΙΔΟΠΟΙΗΣΗ

Αυτό το σχοινί συγκράτησης στη θέση εργασίας/ανάσχεσης μετακίνησης αποτελεί τμήμα ενός ατομικού συστήματος προστασίας από πτώση. Αναμένεται όλοι οι χρήστες να είναι πλήρως εκπαιδευμένοι στην ασφαλή εγκατάσταση και λειτουργία του ατομικού τους συστήματος προστασίας από πτώση. **Η λανθασμένη χρήση αυτού του συστήματος μπορεί να προκαλέσει σοβαρό τραυματισμό ή θάνατο.** Για την κατάλληλη επιλογή, λειτουργία, εγκατάσταση, συντήρηση και σέρβις, ανατρέξτε στις παρούσες Οδηγίες Χρήστη και σε όλες τις συστάσεις του κατασκευαστή, απευθυνθείτε στον προϊστάμενό σας ή επικοινωνήστε με την Τεχνική Υποστήριξη της 3M.

- **Για τη μείωση των κινδύνων που σχετίζονται με την εργασία με σχοινί συγκράτησης στη θέση εργασίας/ανάσχεσης μετακίνησης, οι οποίοι αν δεν αποφευχθούν, μπορούν να οδηγήσουν σε σοβαρό τραυματισμό ή θάνατο:**
  - Χρησιμοποιείτε το σύστημα αυτό μόνο για συγκράτηση στη θέση εργασίας ή σε εφαρμογές ανάσχεσης μετακίνησης. Τα σχοινιά συγκράτησης στη θέση εργασίας πρέπει να διαμορφώνονται έτσι ώστε να περιορίζουν την απόσταση ελεύθερης πτώσης σε δύο πόδια ή λιγότερο και να ελαχιστοποιούν την πτώση με ταλάντωση. Τα σχοινιά ανάσχεσης μετακίνησης πρέπει να εμποδίζουν τον χρήστη να υποβληθεί ή να εκτεθεί σε κίνδυνο πτώσης.
  - Ποτέ μη χρησιμοποιείτε αυτό το σχοινί (δηλ. σχοινί που δεν απορροφά την ενέργεια) ως κύριο σύστημα ανάσχεσης πτώσης.
  - Επιθεωρείτε τη συσκευή πριν από κάθε χρήση, τουλάχιστον ετησίως και ύστερα από οποιοδήποτε συμβάν πτώσης. Επιθεωρείτε σύμφωνα με τις Οδηγίες Χρήστη.
  - Αν η επιθεώρηση αποκαλύψει μη ασφαλή ή ελαττωματική κατάσταση, θέστε τη συσκευή εκτός χρήσης και καταστρέψτε την.
  - Οποιαδήποτε συσκευή, η οποία έχει δεχθεί δύναμη ανάσχεσης πτώσης ή πρόσκρουσης, πρέπει να τίθεται αμέσως εκτός λειτουργίας. Ανατρέξτε στις Οδηγίες Χρήστη ή επικοινωνήστε με το τμήμα Προστασίας από Πτώσεις της 3M.
  - Βεβαιωθείτε ότι όλα τα συνδετικά υποσυστήματα (π.χ. σχοινιά) φυλάσσονται μακριά από κάθε κίνδυνο, συμπεριλαμβανομένου, μεταξύ άλλων, του μπλεξιμάτος με άλλους εργαζόμενους, τον εαυτό σας και με μετακινούμενα μηχανήματα ή άλλα παρευρισκόμενα αντικείμενα.
  - Διασφαλίστε τη χρήση κατάλληλης προστασίας στις ακμές όταν ο ιμάντας ενδέχεται να έρθει σε επαφή με αιχμηρές ακμές ή γωνίες.
  - Βεβαιωθείτε ότι το σύστημα έχει τοποθετηθεί κατάλληλα για την προβλεπόμενη χρήση.
  - Συνδέστε το(α) μη χρησιμοποιούμενο(α) σκέλος(η) του σχοινιού στο(α) προσάρτημα(τα) ασφαλούς στοίβαξης της εξάρτησης, εάν παρέχεται.
  - Μη δένετε ή κάνετε κόμπους με το σχοινί.
  - Μην υπερβείτε τον αριθμό των επιτρεπόμενων χρηστών.
  - Βεβαιωθείτε ότι τα συστήματα/υποσυστήματα προστασίας από πτώσεις τα οποία συναρμολογούνται από εξαρτήματα που έχουν κατασκευαστεί από άλλους κατασκευαστές είναι συμβατά και πληρούν τις απαιτήσεις των ισχυόντων προτύπων, συμπεριλαμβανομένου του ANSI Z359 ή άλλων ισχυόντων κωδίκων, προτύπων ή απαιτήσεων προστασίας από πτώσεις. Να συμβουλευτείτε πάντα ένα ικανό ή καταρτισμένο άτομο πριν από τη χρήση αυτών των συστημάτων.
- **Για τη μείωση των κινδύνων που σχετίζονται με την εργασία σε ύψος, οι οποίοι αν δεν αποφευχθούν, μπορεί να προκαλέσουν σοβαρό τραυματισμό ή θάνατο:**
  - Βεβαιωθείτε ότι η υγεία σας και η φυσική σας κατάσταση σας επιτρέπουν να αντιμετωπίσετε τις δυνάμεις που συνδέονται με την εργασία σε ύψος. Συμβουλευθείτε τον γιατρό σας αν έχετε ερωτήσεις σχετικά με τη δυνατότητά σας να χρησιμοποιήσετε αυτόν τον εξοπλισμό.
  - Ποτέ μην ξεπερνάτε τα επιτρεπόμενα όρια του εξοπλισμού προστασίας από πτώσεις.
  - Ποτέ μην ξεπερνάτε το ανώτατο όριο απόστασης ελεύθερης πτώσης του εξοπλισμού προστασίας από πτώσεις.
  - Μην χρησιμοποιείτε κανέναν εξοπλισμό προστασίας από πτώσεις ο οποίος είναι ακατάλληλος πριν από την χρήση ή αν δεν έχει περάσει προγραμματισμένους ελέγχους με επιτυχία, ή αν ανησυχείτε για τη χρήση του ή για την καταλληλότητά του. Επικοινωνήστε με την Τεχνική Υποστήριξη της 3M για οποιαδήποτε ερωτήσεις.
  - Ορισμένοι συνδυασμοί υποσυστημάτων και εξαρτημάτων μπορεί να επηρεάσουν τη λειτουργία του εξοπλισμού αυτού. Χρησιμοποιείτε μόνο συμβατές συνδέσεις. Συμβουλευθείτε την 3M πριν χρησιμοποιήσετε τον εξοπλισμό σε συνδυασμό με εξαρτήματα ή υποσυστήματα διαφορετικά από αυτά που περιγράφονται στις Οδηγίες Χρήστη.
  - Να είστε εξαιρετικά προσεκτικοί κατά την εργασία κοντά σε κινούμενα μηχανήματα (π.χ. κινητήρες Top Drive σε πετρελαϊκές εξέδρες), ηλεκτρικό ρεύμα, ακραίες θερμοκρασίες, επικίνδυνα χημικά, εκρηκτικά ή τοξικά αέρια, αιχμηρές άκρες ή κάτω από υλικά τα οποία μπορεί να πέσουν πάνω σας ή πάνω στον εξοπλισμό προστασίας από πτώσεις.
  - Κατά την εργασία σε χώρους με υψηλή θερμοκρασία χρησιμοποιήστε συστήματα Arc Flash ή Hot Works.
  - Αποφεύγετε επιφάνειες και αντικείμενα τα οποία μπορεί να προκαλέσουν τραυματισμό στον χρήστη ή ζημιά στον εξοπλισμό.
  - Βεβαιωθείτε ότι υπάρχει επαρκές κενό πτώσης κατά την εργασία σε ύψος.
  - Μην πραγματοποιείτε αλλαγές ή τροποποιήσεις στον εξοπλισμό προστασίας από πτώσεις. Μόνο η 3M ή γραπτός εξουσιοδοτημένος αντιπρόσωπος της 3M μπορούν να κάνουν επισκευές σε αυτό τον εξοπλισμό.
  - Πριν από τη χρήση του εξοπλισμού προστασίας από πτώσεις, βεβαιωθείτε ότι έχει εκπονηθεί ένα σχέδιο διάσωσης το οποίο επιτρέπει την άμεση διάσωση σε περίπτωση πτώσης.
  - Στην περίπτωση πτώσης, αναζητήστε αμέσως ιατρική βοήθεια για τον εργαζόμενο ο οποίος υπέστη την πτώση.
  - Μην χρησιμοποιείτε ζώνη συγκράτησης του σώματος για την ανάσχεση πτώσεων. Χρησιμοποιείτε μόνο ιμάντες πρόσδεσης σώματος.
  - Περιορίστε τις πτώσεις με ταλάντωση, δουλεύοντας, όσο αυτό είναι δυνατό, ακριβώς κάτω από το σημείο αγκίστρωσης.
  - Αν πραγματοποιείτε εκπαίδευση με αυτήν τη συσκευή, πρέπει να χρησιμοποιείτε ένα δευτερεύον σύστημα προστασίας από πτώσεις έτσι ώστε ο εκπαιδευόμενος να μην εκτίθεται σε ακούσιο κίνδυνο πτώσης.
  - Να φοράτε πάντα κατάλληλο προσωπικό εξοπλισμό προστασίας κατά την εγκατάσταση, χρήση, ή επιθεώρηση της συσκευής/συστήματος.

Πριν από τη χρήση του εξοπλισμού αυτού, καταγράψτε τα στοιχεία αναγνώρισης του προϊόντος (βλ. Εικόνα 8) στον Πίνακα 2 του «Ημερολογίου Καταγραφής Επιθεώρησης και Συντήρησης» στο πίσω μέρος του παρόντος εγχειριδίου.

Διασφαλίζετε πάντα ότι χρησιμοποιείτε την τελευταία έκδοση του εγχειριδίου οδηγιών της 3M. Επισκεφθείτε την ιστοσελίδα της 3M ή επικοινωνήστε με το τμήμα Τεχνικής Υποστήριξης της 3M για ενημερωμένα εγχειρίδια οδηγιών.

## ΠΕΡΙΓΡΑΦΗ

Το προσαρμοζόμενο σχοινί 3M™ Protecta® TRIGGER™ προορίζεται για χρήση ως μέρος του ατομικού συστήματος καθορισμού θέσης εργασίας. Τα συστήματα καθορισμού θέσης εργασίας τυπικά περιλαμβάνουν ολόσωμη εξάρτηση ή ζώνη συγκράτησης του κορμού, σχοινί τοποθέτησης και εφεδρικό ατομικό σύστημα ανάσχεσης πτώσης.

Το σύστημα προσαρμογής έχει την επιλογή να προσαρμόζει εύκολα το μήκος του σχοινοίου κατά τη διάρκεια της χρήσης. Ο εξοπλισμός δεν είναι κατάλληλος για σκοπούς ανάσχεσης πτώσης και αυτό είναι απαραίτητο για να συμπληρωθούν οι διαδικασίες καθορισμού θέσης εργασίας με συλλογικά μέσα (π.χ. δίκτυα ασφαλείας) ή ατομικά μέσα (π.χ. συστήματα ανάσχεσης πτώσης) για προστασία από πτώσεις από ύψος.

Η Εικόνα 1 προσδιορίζει το σχοινί συγκράτησης στη θέση εργασίας/ρυθμιζόμενο σχοινί συγκράτησης στη θέση εργασίας που καλύπτεται από τις παρούσες οδηγίες. Τα διαφορετικά μοντέλα είναι διαθέσιμα σε διάφορους συνδυασμούς με τα ακόλουθα χαρακτηριστικά:

### Πίνακας 1 – Προδιαγραφές

<b>ΠΡΟΔΙΑΓΡΑΦΕΣ ΕΞΑΡΤΗΜΑΤΩΝ</b>		
<b>Παραπομπή Εικόνας 1:</b>		<b>Περιγραφή:</b>
<b>Σύνδεσμος για το σώμα</b>	①	Trigger™ Συσκευή ρύθμισης σχοινοίου
	②	AJ514/0
	③	AJ572/0
	④	AJ501/0
<b>Σύνδεσμος στήριξης σχοινοίου</b>	⑤	AJ523/0
	⑥	20LF
	⑦	AJ565/0
	⑧	AJ595/0
<b>Σχοινιά</b>	⑨	Στατικό συρματόσχοινο - 10,5 mm (0,41 in.)
<b>Πρόσθετο χαρακτηριστικό</b>	⑩	Ανθεκτικό στην τριβή προστατευτικό περίβλημα καλύμματος σχοινοίου
<b>Τελειώμα σχοινοίου</b>	⑪	Απλός κόμπος στο τέλος του σχοινοίου
<b>Ετικετες</b>	⑫	ΕΤΙΚΕΤΕΣ

<b>ΠΡΟΔΙΑΓΡΑΦΕΣ ΣΥΣΤΗΜΑΤΟΣ</b>	
<b>Απόδοση:</b>	
LY	Μήκος σχοινοίου (βλ. Εικόνα 1).
Δυνατότητα:	1 άτομο με συνδυασμένο βάρος (συμπεριλαμβανομένων των ρούχων, εργαλείων κ.λπ.) όχι άνω των: 140 κιλών (309 λίβρες)
Θερμοκρασία λειτουργίας:	Ελάχιστη: -35°C (-31°F) Μέγιστη: +57°C (135°F)
<b>Υλικά:</b>	
Εξάρτημα κύριου μέρους συσκευής:	Ανοξειδωτος χάλυβας, κράμα χάλυβα, κράμα αλουμινίου και καουτσούκ - Αντοχή σε εφελκυσμό 22 kN (4.946 λίβρες)
Καραμπινερ:	Κράμα χάλυβα, Αλουμίνιο, Ανοξειδωτο ατσάλι - 22 kN (4 946 lbf) Ελάχιστη Αντοχή Εφελκυσμού
Γάντζος:	Χάλυβας, ανοξειδωτος χάλυβας και ψευδάργυρος ή επιχρωμιωμένος - Αντοχή σε εφελκυσμό 22 kN (4.946 λίβρες)
Σχοινιά	Νάιλον - 22 kN (4 946 lbf) Αντοχή Εφελκυσμού
Καλύμματα σχοινοίων:	Πολυεστέρας, Νάιλον

## 1.0 ΕΦΑΡΜΟΓΕΣ

- 1.1 ΣΚΟΠΟΣ:** Τα σχοινιά είναι σχεδιασμένα να αποτελούν εξάρτημα ενός ατομικού συστήματος ανάσχεσης πτώσης (βλ. Εικόνα 2). Μπορούν να διασκορπίσουν την ενέργεια από πτώση, να περιορίσουν τις δυνάμεις πτώσης που μεταφέρονται στο σώμα ή να χρησιμοποιηθούν για συγκράτηση στη θέση εργασίας και περιορισμό, ανάλογα με τον τύπο τους. Η Εικόνα 1 προσδιορίζει τα μοντέλα σχοινιού που καλύπτονται από το παρόν εγχειρίδιο οδηγιών. Μπορούν να χρησιμοποιηθούν στις περισσότερες περιπτώσεις όταν απαιτείται συνδυασμός της κινητικότητας του εργαζομένου και προστασίας από πτώσεις (π.χ. επιθεώρηση έργου, γενική κατασκευή, συντήρηση έργου, παραγωγή πετρελαίου, περιορισμένος χώρος εργασιών, κ.λπ.).
- 1.2 ΠΡΟΤΥΠΑ:** Το σχοινί σας συμμορφώνεται με το(α) εθνικό(ά) ή περιφερειακό(ά) πρότυπο(α) που καθορίζεται(ονται) στο εξώφυλλο αυτών των οδηγιών. Ανατρέξτε στις τοπικές απαιτήσεις που διέπουν την επαγγελματική ασφάλεια για πρόσθετες πληροφορίες σχετικά με τα ατομικά συστήματα προστασίας από πτώση. Εάν το προϊόν μεταπωληθεί εκτός της αρχικής χώρας προορισμού, ο μεταπωλητής πρέπει να παρέχει οδηγίες για τη χρήση, τη συντήρηση, την περιοδική εξέταση και για την επισκευή στη γλώσσα της χώρας στην οποία πρόκειται να χρησιμοποιηθεί το προϊόν.
- 1.3 ΕΚΠΑΙΔΕΥΣΗ:** Ο εξοπλισμός αυτός προορίζεται για χρήση από άτομα που είναι εκπαιδευμένα στη σωστή χρήση και εφαρμογή του. Ο χρήστης οφείλει να βεβαιωθεί ότι τα άτομα αυτά είναι εξοικειωμένα με τις οδηγίες και σωστά εκπαιδευμένα για τη σωστή συντήρηση και χρήση του εξοπλισμού. Οι χρήστες πρέπει να είναι ενημερωμένοι για τα χαρακτηριστικά λειτουργίας, τα όρια εφαρμογής και τις συνέπειες της μη ενδεδειγμένης χρήσης.
- 1.4 ΑΠΑΙΤΗΣΕΙΣ:** Λαμβάνετε πάντα υπόψη τους παρακάτω περιορισμούς κατά την εγκατάσταση και τη χρήση αυτού του εξοπλισμού:
- **Δυνατότητα:** Τα σχοινιά πρέπει να χρησιμοποιούνται από ένα άτομο με μικτό βάρος (ένδυση, εργαλεία κ.λπ.) σύμφωνα με τις απαιτήσεις του Εύρους βάρους που καθορίζονται στην Πίνακας 1 για το μοντέλο σχοινιού. Σιγουρευτείτε ότι όλα τα εξαρτήματα του συστήματος έχουν αξιολογηθεί για δυνατότητα που είναι κατάλληλη για την απαιτούμενη εφαρμογή.
  - **Αγκύρωση:** Οι αγκυρώσεις που επιλέγονται για συστήματα ανάσχεσης πτώσης πρέπει να είναι ικανές να αντέχουν στατικά φορτία που εφαρμόζονται στις κατευθύνσεις που επιτρέπονται από το σύνολο του συστήματος τουλάχιστον:
    - A. 12 kN (2 698 lb) για μεταλλικά άγκιστρα ή 18 kN (4 047 lb) για υφασμάτινα άγκιστρα για μη πιστοποιημένες αγκυρώσεις ή
    - B. Δύο φορές τη μέγιστη δύναμη ανάσχεσης για πιστοποιημένες αγκυρώσεις.Εάν επιτρέπεται βάσει του τύπου του άγκιστρου, όταν συνδέονται περισσότερα από ένα συστήματα ανάσχεσης πτώσης σε μια αγκύρωση, οι αντοχές που ορίζονται στα σημεία (1) και (2) παραπάνω πολλαπλασιάζονται με τον αριθμό των συστημάτων που είναι προσαρτημένα στην αγκύρωση.
  - **Πτώσεις με ταλάντωση:** Πτώσεις με ταλάντωση ενδέχεται να προκύψουν όταν το σημείο αγκύρωσης δεν βρίσκεται ακριβώς από πάνω από το σημείο της πτώσης. Η δύναμη που αναπτύσσεται μετά από πρόσκρουση σε αντικείμενο κατά τη διάρκεια πτώσης με ταλάντωση ενδέχεται να προκαλέσει σοβαρό τραυματισμό (βλ. Εικόνα 3). Περιορίστε τις πτώσεις με ταλάντωση, δουλεύοντας, όσο αυτό είναι δυνατό, ακριβώς κάτω από το σημείο αγκίστρωσης. Να τοποθετείτε και / ή να προσαρμόζετε πάντα το κορδόνι έτσι ώστε το σημείο αγκύρωσης να διατηρείται στο επίπεδο της μέσης ή πάνω από αυτό. το κορδόνι παραμένει τεντωμένο. και η ελεύθερη κυκλοφορία περιορίζεται σε ένα μέγιστο 0,6 m (1,97 ft).
  - **Κίνδυνοι:** Η χρήση του εξοπλισμού αυτού σε περιοχές που ενέχουν κινδύνους ενδέχεται να απαιτεί επιπρόσθετες προφυλάξεις προκειμένου να μειωθεί η πιθανότητα τραυματισμού του χρήστη ή πρόκλησης ζημιάς στον εξοπλισμό. Στους κινδύνους μπορεί να περιλαμβάνονται, χωρίς όμως να περιορίζονται σε αυτούς: η υψηλή θερμοκρασία, τα καυστικά χημικά, τα διαβρωτικά περιβάλλοντα, τα ηλεκτροφόρα καλώδια υψηλής τάσης, τα εκρηκτικά ή τοξικά αέρια, τα κινούμενα μηχανήματα ή τα αντικείμενα που βρίσκονται πάνω από τον εργαζόμενο και ενδέχεται να πέσουν και να έρθουν σε επαφή με τον χρήστη ή με το σύστημα ανάσχεσης πτώσης. Μην εργάζεστε σε περιοχή όπου το σχοινί σας ενδέχεται να διασταυρωθεί ή να μπερδευτεί με το σχοινί κάποιου άλλου εργαζόμενου. Μην εργάζεστε σε μέρος όπου υπάρχει πιθανότητα πτώσης αντικειμένου και πρόσκρουσης στο σχοινί, η οποία θα προκαλέσει την απώλεια της ισορροπίας ή την καταστροφή του σχοινιού. Το σχοινί δεν πρέπει να περνά κάτω από τους βραχίονες ή ανάμεσα στα πόδια.

## 2.0 ΧΡΗΣΗ

- 2.1 ΣΧΕΔΙΟ ΠΡΟΣΤΑΣΙΑΣ ΑΠΟ ΠΤΩΣΕΙΣ ΚΑΙ ΔΙΑΣΩΣΗΣ:** Ο εργοδότης θα πρέπει να διαθέτει ένα σχέδιο προστασίας από πτώσεις και διάσωσης. Το σχέδιο θα πρέπει να παρέχει κατευθυντήριες γραμμές και απαιτήσεις σχετικά με το πρόγραμμα προστασίας από πτώσεις που διαχειρίζεται ο εργοδότης, συμπεριλαμβανομένων πολιτικών, καθηκόντων και κατάρτισης, διαδικασιών προστασίας από πτώση, εξάλειψης και ελέγχου των κινδύνων από πτώση, διαδικασιών διάσωσης, έρευνας περιστατικών και αξιολόγησης της αποτελεσματικότητας του προγράμματος.
- 2.2 ΣΥΧΝΟΤΗΤΑ ΕΠΙΘΕΩΡΗΣΗΣ:** Τα σχοινιά πρέπει να επιθεωρούνται από τον εργαζόμενο<sup>1</sup> πριν από κάθε χρήση. Επιπλέον, ένα αρμόδιο άτομο πρέπει να διεξάγει επιθεωρήσεις<sup>2</sup> εκτός από τον χρήστη. Οι ακραίες συνθήκες εργασίας (περιβάλλον με δυσκολίες, παρατεταμένη χρήση κ.λπ.) ενδέχεται να επιβάλλουν συχνότερες επιθεωρήσεις από τα αρμόδια άτομα. Το αρμόδιο άτομο καθορίζει τα κατάλληλα διαστήματα επιθεώρησης. Οι διαδικασίες επιθεώρησης περιγράφονται στο *Αρχείο Καταγραφής Επιθεώρησης και Συντήρησης (Πίνακας 2)*. Τα αποτελέσματα της επιθεώρησης που διεξάγει το αρμόδιο άτομο θα πρέπει να καταγράφονται στο *Αρχείο Καταγραφής Επιθεώρησης και Συντήρησης* ή να καταγράφονται με το σύστημα ραδιοσυχνικής αναγνώρισης (RFID).
- 2.3 ΣΥΜΒΑΤΟΤΗΤΑ ΤΩΝ ΕΞΑΡΤΗΜΑΤΩΝ:** Εκτός και αν σημειώνεται διαφορετικά, ο εξοπλισμός της 3M είναι σχεδιασμένος για χρήση μόνο με τα εγκεκριμένα εξαρτήματα και υποσυστήματα της 3M. Η αλλαγή και η αντικατάσταση με μη εγκεκριμένα εξαρτήματα ή υποσυστήματα μπορεί να θέσει σε κίνδυνο τη συμβατότητα του εξοπλισμού και να επηρεάσει την ασφάλεια και την αξιοπιστία ολόκληρου του συστήματος.
- 2.4 ΣΥΜΒΑΤΟΤΗΤΑ ΤΩΝ ΣΥΝΔΕΣΜΩΝ:** Οι σύνδεσμοι θεωρούνται ότι είναι συμβατοί με τα συνδετικά στοιχεία όταν έχουν σχεδιαστεί για να δουλεύουν μαζί με τέτοιο τρόπο, ώστε το μέγεθος και το σχήμα τους να μην ανοίγουν τον μηχανισμό πύλης τους ανεξάρτητα από τον προσανατολισμό τους. Επικοινωνήστε με την 3M, εάν έχετε ερωτήσεις σχετικά με τη συμβατότητα. Οι σύνδεσμοι (γάντζοι, καρμπίνας και κρίκοι D) πρέπει να μπορούν να υποστηρίξουν τουλάχιστον 22 kN (5.000 λίβρες). Οι σύνδεσμοι πρέπει να είναι συμβατοί με την αγκίστρωση ή με άλλα εξαρτήματα του συστήματος. Μην

**1 Εργαζόμενος:** Κάθε άτομο που προστατεύεται από πτώση με ενεργό σύστημα προστασίας από πτώσεις ή, στην περίπτωση συστήματος ανάσχεσης πτώσης, ένα άτομο που μπορεί να πέσει ενώ είναι συνδεδεμένο στο σύστημα.

**2 Αρμόδιο άτομο:** Ένα άτομο που ορίζεται από τον εργοδότη ως υπεύθυνο για την άμεση επίβλεψη, εφαρμογή και παρακολούθηση του προγράμματος προστασίας από πτώσεις που διαχειρίζεται ο εργοδότης, το οποίο μέσω κατάρτισης και γνώσεων είναι ικανό να εντοπίζει, να αξιολογεί και να αντιμετωπίζει υφιστάμενους και πιθανούς κινδύνους πτώσης και το οποίο έχει την εξουσιοδότηση του εργοδότη να λαμβάνει άμεσα διορθωτικά μέτρα όσον αφορά τους κινδύνους αυτούς.

χρησιμοποιείτε ασύμβατο εξοπλισμό. Οι μη συμβατοί σύνδεσμοι μπορεί να απεμπλακούν ακούσια (δείτε το σχήμα 4). Οι σύνδεσμοι πρέπει να είναι συμβατοί σε μέγεθος, σχήμα και αντοχή. Απαιτούνται αυτο-ασφαλιζόμενοι γάντζοι ασφαλείας και караμπίνερ. Αν το συνδετικό στοιχείο, στο οποίο προσαρτάται ο γάντζος ασφαλείας ή το караμπίνερ, είναι μικρότερου μεγέθους ή έχει ακανόνιστο σχήμα, θα μπορούσε να προκύψει μια κατάσταση όπου το συνδετικό στοιχείο εφαρμόζει μια δύναμη στην πύλη του γάντζου ασφαλείας ή του караμπίνερ (Α). Αυτή η δύναμη μπορεί να προκαλέσει το άνοιγμα της πύλης (Β), επιτρέποντας στον γάντζο ασφαλείας ή στο караμπίνερ να απεμπλακούν από το συνδετικό στοιχείο (Γ).

- 2.5 ΔΗΜΙΟΥΡΓΙΑ ΣΥΝΔΕΣΕΩΝ:** Οι γάντζοι ασφαλείας και τα караμπίνερ που χρησιμοποιούνται με τον εξοπλισμό αυτό πρέπει να κλειδώνουν αυτόματα. Βεβαιωθείτε ότι όλες οι συνδέσεις είναι συμβατές ως προς το μέγεθος, το σχήμα και την αντοχή. Μην χρησιμοποιείτε ασύμβατο εξοπλισμό. Εξασφαλίστε ότι όλοι οι σύνδεσμοι είναι πλήρως κλειστοί και κλειδωμένοι. Οι σύνδεσμοι της 3M (γάντζοι ασφαλείας και караμπίνερ) έχουν σχεδιαστεί για να χρησιμοποιούνται αποκλειστικά σύμφωνα με τις προδιαγραφές των οδηγιών χρήστη του κάθε προϊόντος. Δείτε την Εικόνα 5 για παραδείγματα ακατάλληλων συνδέσεων. Μην συνδέετε γάντζους ασφαλείας και караμπίνερ:
- A. Με κρίκο D στον οποίο είναι συνδεδεμένος ένας άλλος σύνδεσμος.
  - B. Με τρόπο που θα μπορούσε να έχει ως αποτέλεσμα φορτίο στην πύλη. Γάντζοι ασφαλείας με μεγάλο λαιμό δεν πρέπει να συνδέονται με κρίκους D κανονικού μεγέθους ή με παρόμοια αντικείμενα, επειδή αυτό προκαλεί φορτίο στην πύλη εάν ο γάντζος ή ο κρίκος D στρίψει ή περιστραφεί, εκτός και αν ο γάντζος ασφαλείας είναι εξοπλισμένος με πύλη 16 kN (3.600 λίβρες).
  - C. Σε περίπτωση λανθασμένης εμπλοκής, όπου το μέγεθος ή το σχήμα των αντίστοιχων συνδέσμων δεν είναι συμβατά και, χωρίς οπτική επιβεβαίωση, οι σύνδεσμοι φαίνεται να έχουν εμπλακεί πλήρως.
  - D. Μεταξύ τους.
  - E. Απευθείας με ιμάντα ή λουρί ή σύστημα ανάληψης οριζόντιων φορτίων (εκτός αν οι οδηγίες του κατασκευαστή τόσο για το λουρί όσο και για τον σύνδεσμο επιτρέπουν ειδικά μια τέτοια σύνδεση).
  - F. Με οποιοδήποτε αντικείμενο που έχει τέτοιο σχήμα ή τέτοιες διαστάσεις για να μην κλείνει και κλειδώνει ο γάντζος ασφαλείας και το караμπίνερ ή για να μην υπάρξει κύλιση.
  - G. Με τρόπο που να μην επιτρέπει τη σωστή ευθυγράμμιση του συνδέσμου όταν βρίσκεται υπό φορτίο.

### 3.0 ΕΓΚΑΤΑΣΤΑΣΗ ΚΑΙ ΡΥΘΜΙΣΗ

**3.1 ΣΧΕΔΙΑΣΜΟΣ:** Προτού ξεκινήσετε την εργασία, σχεδιάστε το σύστημα προστασίας από πτώση. Υπολογίστε όλους τους παράγοντες που μπορεί να επηρεάσουν την ασφάλειά σας πριν, κατά τη διάρκεια και μετά από πτώση. Λάβετε υπόψη όλες τις απαιτήσεις και τους περιορισμούς που ορίζονται στην Ενότητα 1.

**3.2 ΑΓΚΥΡΩΣΗ:** Επιλέξτε μια θέση αγκύρωσης με ελάχιστο κίνδυνο ελεύθερης πτώσης και πτώσης με ταλάντωση (δείτε Ενότητα 1). Επιλέξτε ένα σταθερό σημείο αγκύρωσης ικανό να αντέξει τα στατικά φορτία που ορίζονται στην Ενότητα 1.

**3.3 ΣΥΝΔΕΣΗ ΥΠΟΣΤΗΡΙΞΗΣ ΣΩΜΑΤΟΣ:** Ο ιμάντας περιορισμού/τοποθέτησης εργασίας πρέπει να χρησιμοποιείται σε συνδυασμό με ολόσωμη πρόσδεση ή ζώνη συγκράτησης του κορμού. Για εφαρμογές περιορισμού, συνδέστε τον ιμάντα στο κατάλληλο στοιχείο προσάρτησης (δακτύλιο D) της εξάρτυσης ή της ζώνης. Για άλλες εφαρμογές προστασίας από πτώση και συνιστώμενες συνδέσεις της εξάρτυσης, συμβουλευτείτε τις οδηγίες που συνοδεύουν την εξάρτυση.

**3.4 ΣΥΝΔΕΣΗ ΣΤΟ ΣΧΟΙΝΙ ΣΥΓΚΡΑΤΗΣΗΣ ΣΤΗ ΘΕΣΗ ΕΡΓΑΣΙΑΣ:** Κατά τη σύνδεση, βεβαιωθείτε ότι δεν είναι δυνατό το ξετύλιγμα. (Βλ. Ενότητα 2.5 «Συνδέσεις») Το ξετύλιγμα συμβαίνει όταν υφίσταται μια παρεμβολή μεταξύ του γάντζου και του αντίστοιχου συνδέσμου που προκαλεί το ακούσιο άνοιγμα και την απελευθέρωση της θύρας του γάντζου.

**ΒΗΜΑ 1:** Συνδέστε τον ασφαλιστικό σύνδεσμο στήριξης του σχοινιού (βλ. Εικόνα 1) στον αριστερό ή τον δεξιό κρίκο D που βρίσκεται στη ζώνη συγκράτησης σώματος ή στον ολόσωμο ιμάντα του χειριστή.

**ΒΗΜΑ 2:** Τοποθετήστε το σχοινί γύρω από ένα ασφαλές σημείο αγκύρωσης που είναι σε θέση να αντέχει φορτία 12 kN (2 698 lb) ή μεγαλύτερα. Βεβαιωθείτε ότι το σχοινί είναι στερεωμένο με ασφάλεια έτσι ώστε να μην μπορεί να γλιστρήσει κάτω ή πέρα από το σημείο αγκύρωσης.

**ΒΗΜΑ 3:** Συνδέστε τον σύνδεσμο για το σώμα του σχοινιού (βλ. Εικόνα 1) στον κρίκο D της αντίθετης πλευράς. Όταν έχει γίνει η σύνδεση, η θύρα του γάντζου ασφαλείας ή του караμπίνερ πρέπει να είναι στραμμένη προς τα έξω και μακριά από τον χρήστη.

**ΒΗΜΑ 4:** Για να κοντύνετε το σχοινί, τραβήξτε απευθείας το τελείωμα προς το σημείο αγκύρωσης. (Εικόνα 6)

**ΒΗΜΑ 5:** Αφήστε το σχοινί να περάσει μέσα από τον προσαρμογέα ενώ γέρνετε προς τα πίσω. Αφήστε τον προσαρμογέα όταν βρεθεί στην επιθυμητή θέση. (Εικόνα 7)

**ΒΗΜΑ 6:** Επιβεβαιώστε την ασφαλή αγκύρωση, τις σωστές συνδέσεις και τη ρύθμιση του σχοινιού:

- Επαρκής αντοχή αγκύρωσης.
- Γάντζος ασφαλείας και караμπίνερ που συνδέονται σωστά με τον ολόσωμο ιμάντα ή τη ζώνη συγκράτησης σώματος.
- Το σχοινί δεν μπορεί να γλιστρήσει κάτω ή πέρα από το σημείο αγκύρωσης.
- Το σχοινί έχει τεντωθεί σωστά.

Μην χρησιμοποιείτε τον γάντζο ασφαλείας ή το караμπίνερ για πρόσδεση στο σχοινί. Και οι δύο σύνδεσμοι πρέπει να συνδέονται με τους κρίκους D της κατάλληλης πλευράς. Ποτέ μη χρησιμοποιείτε το ρυθμιζόμενο σχοινί συγκράτησης στη θέση εργασίας με μόνο έναν σύνδεσμο προσαρτημένο στον ολόσωμο ιμάντα.

### 4.0 ΛΕΙΤΟΥΡΓΙΑ

Χρήστες που χρησιμοποιούν ιμάντα (ιμάντα) για πρώτη φορά ή δεν τον χρησιμοποιούν συχνά, θα πρέπει να ανασκοπήσουν τις «Πληροφορίες ασφάλειας» στην εισαγωγή του παρόντος εγχειριδίου πριν χρησιμοποιήσουν τον ιμάντα.

**4.1 ΕΠΙΘΕΩΡΗΣΗ ΑΠΟ ΤΟΝ ΕΡΓΑΖΟΜΕΝΟ:** Πριν από κάθε χρήση, επιθεωρήστε τον ιμάντα σύμφωνα με τη λίστα ελέγχου επιθεώρησης στο Αρχείο Καταγραφής Επιθεώρησης και Συντήρησης (Πίνακας 2). Εάν η επιθεώρηση αποκαλύψει κάποια επισφαλής κατάσταση ή υποδειχτεί ότι ο ιμάντας έχει υποστεί οποιαδήποτε ζημιά ή έχει υποβληθεί σε δυνάμεις πτώσης, ο ιμάντας πρέπει να τεθεί εκτός λειτουργίας και να καταστραφεί.

**4.2 ΛΕΙΤΟΥΡΓΙΑ:** Να συνδέετε πάντα πρώτα το άκρο υποστήριξης του σώματος του ιμάντα στην ολόσωμη πρόσδεση ή τη ζώνη συγκράτησης του κορμού και, έπειτα το άκρο του σκέλους σε κατάλληλη αγκύρωση. Να ελαχιστοποιείτε πάντα τη χαλάρωση του ιμάντα κοντά σε ένα σημείο στο οποίο υπάρχει κίνδυνος πτώσης, με τάνυση όσο το δυνατόν πλησιέστερα στην αγκύρωση. Για λεπτομέρειες αναφορικά με τη σύνδεση της υποστήριξης του σώματος και της αγκύρωσης, δείτε την Ενότητα 3. Ελέγχετε τακτικά τα στοιχεία στερέωσης και / ή ρύθμισης κατά τη χρήση.

**4.3 ΜΕΤΑ ΑΠΟ ΠΤΩΣΗ:** Κάθε ιμάντας που έχει εκτεθεί σε δυνάμεις που προκαλούνται από την ανάσχεση πτώσης ή παρουσιάζει ενδείξεις ζημιάς που αντιστοιχούν στις επιπτώσεις που συνοδεύουν την ανάσχεση πτώσης, όπως περιγράφεται στο *Αρχείο Καταγραφής Εγκατάστασης και Συντήρησης (Πίνακας 2)* πρέπει να τίθεται αμέσως εκτός λειτουργίας και να καταστρέφεται.

## 5.0 ΕΠΙΘΕΩΡΗΣΗ

**5.1 ΣΥΧΝΟΤΗΤΑ ΕΠΙΘΕΩΡΗΣΕΩΝ:** Ο ιμάντας πρέπει να επιθεωρείται κατά διαστήματα που καθορίζονται στην Ενότητα 2. Οι διαδικασίες επιθεώρησης περιγράφονται στο *«Αρχείο Καταγραφής Επιθεώρησης και Συντήρησης» (Πίνακας 2)*.

*Ακραίες συνθήκες εργασίας (σκληρά περιβάλλοντα, παρατεταμένη χρήση, κ.λπ.) ενδέχεται να επιβάλλουν συχνότερες επιθεωρήσεις.*

**5.2 ΕΠΙΣΦΑΛΕΙΣ Η ΕΛΑΤΤΩΜΑΤΙΚΕΣ ΣΥΝΘΗΚΕΣ:** Αν η επιθεώρηση αποκαλύψει επισφαλείς ή ελαττωματικές συνθήκες, θέστε τον ιμάντα εκτός λειτουργίας αμέσως και καταστρέψτε τον προκειμένου να εμποδίσετε την ακούσια χρήση του. Οι ιμάντες δεν επισκευάζονται.

**5.3 ΔΙΑΡΚΕΙΑ ΖΩΗΣ ΠΡΟΪΟΝΤΟΣ:** Η λειτουργική διάρκεια ζωής των ιμάντων της 3M καθορίζεται από τις συνθήκες εργασίας και τη συντήρηση. Η μέγιστη διάρκεια ζωής μπορεί να κυμανθεί από 1 έτος για εντατική χρήση υπό ακραίες συνθήκες, έως 10 έτη για ελαφριά χρήση υπό ήπιες συνθήκες. Υπό την προϋπόθεση ότι το προϊόν πληροί τα κριτήρια επιθεώρησης, μπορεί να παραμείνει σε λειτουργία για μέγιστο διάστημα έως 10 έτη.

## 6.0 ΣΥΝΤΗΡΗΣΗ, ΕΠΙΣΚΕΥΗ ΚΑΙ ΑΠΟΘΗΚΕΥΣΗ

*Μην καθαρίζετε και απολυμαίνετε τους ιμάντες με οποιαδήποτε άλλη μέθοδο, εκτός από εκείνη που περιγράφεται στις ακόλουθες «Οδηγίες καθαρισμού». Η χρήση άλλων μεθόδων μπορεί να έχει αρνητικές επιπτώσεις στους ιμάντες ή τον χρήστη.*

**6.1 ΚΑΘΑΡΙΣΜΟΣ:** Οι διαδικασίες καθαρισμού του ιμάντα είναι οι εξής:

- Να καθαρίζετε περιοδικά την εξωτερική επιφάνεια του ιμάντα με νερό και ήπιο διάλυμα σαπουνιού. Η θερμοκρασία του νερού δεν πρέπει να υπερβαίνει τους 40°C (104°F). Τοποθετήστε τον ιμάντα έτσι ώστε να αποστραγγίζεται το επιπλέον νερό. Μην εφαρμόζετε στεγνό καθάρισμα. Μην σιδερώνετε. Καθαρίστε τις ετικέτες όπως ενδεικνύται.
- Ξεπλύνετε και στεγνώστε πλήρως με αέρα. Μην χρησιμοποιείτε θερμότητα για το στέγνωμα.

*Χρησιμοποιείτε απορρυπαντικό χωρίς λευκαντικό κατά τον καθαρισμό των ιμάντων. ΔΕΝ ΘΑ ΠΡΕΠΕΙ να χρησιμοποιούνται μαλακτικά ινών ή φύλλα στεγνωτηρίου κατά τον καθαρισμό και το στέγνωμα των ιμάντων*

**6.2 ΣΕΡΒΙΣ:** Οι ιμάντες δεν επισκευάζονται. Εάν ο ιμάντας έχει υποστεί οποιαδήποτε ζημιά ή έχει υποβληθεί σε δυνάμεις πτώσης ή αν η επιθεώρηση αποκαλύψει επισφαλή ή ελαττωματική κατάσταση, θέστε τον ιμάντα εκτός λειτουργίας και απορρίψτε τον.

**6.3 ΑΠΟΘΗΚΕΥΣΗ/ΜΕΤΑΦΟΡΑ:** Αποθηκεύστε και μεταφέρετε τον ιμάντα σε δροσερό ξηρό και καθαρό περιβάλλον, μακριά από απευθείας έκθεση σε ηλιακό φως. Να αποφεύγετε χώρους όπου ενδέχεται να υπάρχουν ατμοί από χημικές ουσίες. Να επιθεωρείτε πλήρως τον ιμάντα μετά από κάθε παρατεταμένη περίοδο αποθήκευσης.

## 7.0 ΕΤΙΚΕΤΕΣ

Η Εικόνα 8 παρουσιάζει τις ετικέτες των ιμάντων και τις θέσεις τους. Στον ιμάντα πρέπει να υπάρχουν όλες οι ετικέτες - βλ. Εικόνα 1. Οι πληροφορίες που παρέχονται σε κάθε ετικέτα είναι οι εξής:

Βλ. Εικόνα 8:	Περιγραφή:
①	Αριθμός μοντέλου
②	Σειριακός αριθμός
③	Αριθμός παρτίδας
④	Διεύθυνση του Κατασκευαστή
⑤	Βλέπε Οδηγίες
⑥	Ευρωπαϊκό πρότυπο
⑦	Σήμα CE
⑧	Αριθμός οργανισμού στον οποίο έγινε κοινοποίηση για διεκπεραίωση τυπικής συμμόρφωσης
⑨	Μήκος
⑩	Μήνας κατασκευής
⑪	Έτος κατασκευής
⑫	Διεύθυνση Web του Κατασκευαστή
⑬	Διάμετρος σχοινιού
⑭	Δυνατότητα



## INFORMACIÓN DE SEGURIDAD

**Lea, comprenda y cumpla con todo lo dispuesto en la información de seguridad contenida en estas instrucciones antes de utilizar esta eslinga de retención de recorrido/posicionamiento para el trabajo. SI NO LO HACE, PUEDE SUFRIR GRAVES LESIONES O LA MUERTE.**

**Estas instrucciones deben entregarse al usuario de este equipo. Conserve las instrucciones para futuras consultas.**

### Uso previsto:

Esta eslinga de retención de recorrido/posicionamiento para el trabajo está diseñada para ser utilizada como parte de un sistema completo de protección contra caídas personal. Las eslingas de retención de recorrido/posicionamiento para el trabajo se utilizan para evitar que el usuario alcance o esté expuesto a un riesgo de caídas.

El empleo en cualquier otra aplicación, entre otras, la manipulación de material, actividades de recreo o deportivas, u otras actividades no descritas en las instrucciones para el usuario, no está aprobado por 3M y puede provocar lesiones graves o la muerte.

Este dispositivo solo deben usarlo usuarios formados en su utilización en aplicaciones dentro del lugar de trabajo.



### ADVERTENCIA

Esta eslinga de retención de recorrido/posicionamiento para el trabajo es parte de un sistema de protección contra caídas personal. Se espera que todos los usuarios se hayan formado completamente en la instalación y uso seguro de su sistema de protección contra caídas. **El mal uso de este dispositivo puede provocar lesiones graves o la muerte.** Para una adecuada selección, uso, instalación mantenimiento, inspección y reparación, consulte estas instrucciones para el usuario y todas las recomendaciones del fabricante, contacte con su supervisor o con los servicios técnicos de 3M.

- **Para reducir los riesgos asociados con trabajar con una eslinga de retención de recorrido/posicionamiento para el trabajo que, si no se evitan, pueden provocar lesiones graves o la muerte:**
  - Utilice este dispositivo solamente para el posicionamiento en el trabajo o en aplicaciones de retención de recorrido. Las eslingas de posicionamiento deben configurarse para limitar la distancia de caída libre a dos pies o menos y minimizar la caída de oscilación. Las eslingas de retención de recorrido deben evitar que el usuario alcance o esté expuesto a un riesgo de caídas.
  - Nunca use esta eslinga (es decir, una eslinga que no absorba energía) como dispositivo de detención de caídas primario.
  - Inspeccione el dispositivo antes de cada uso, al menos, con una periodicidad anual, y después de que el sistema haya soportado una caída. Realice la inspección según las instrucciones del producto.
  - Si durante la inspección observa una condición insegura o defectuosa, retire el dispositivo del servicio y destrúyalo.
  - Cualquier dispositivo que haya estado sometido a una fuerza de detención de caídas o impacto deberá retirarse inmediatamente del servicio. Consulte las Instrucciones para el usuario o póngase en contacto con 3M Fall Protection.
  - Asegúrese de que todos los subsistemas de conexión (por ejemplo, eslingas) se mantengan libres de cualquier peligro, incluyendo, entre otros, enredos con otros trabajadores, consigo mismo, con maquinaria en movimiento o con objetos circundantes.
  - Asegúrese de usar la protección de bordes apropiada cuando el anticaídas pueda entrar en contacto con esquinas o bordes afilados.
  - Asegúrese de que el dispositivo esté instalado apropiadamente para el uso previsto.
  - Fije el ramal o ramales no utilizados de la eslinga a la o las fijaciones de uso del arnés, si se proporcionan.
  - No ate ni anude la eslinga.
  - No exceda el número de usuarios permitidos.
  - Asegúrese de que los sistemas/subsistemas de protección contra caídas conectados con componentes hechos por distintos fabricantes son compatibles y cumplen los requisitos de las normas aplicables, incluyendo los ANSI Z359 u otros códigos, normas o requisitos de protección contra caídas aplicables. Consulte siempre con personal cualificado o competente antes de usar estos sistemas.
- **Para reducir los peligros asociados con el trabajo en altura que, si no se evitan, pueden provocar lesiones graves o la muerte:**
  - Asegúrese de que su salud y condición física le permiten resistir con seguridad todas las fuerzas asociadas con el trabajo en altura. Consulte con su médico si tiene alguna pregunta con respecto a su capacidad para utilizar este equipo.
  - Nunca exceda la capacidad de carga de su equipo de protección contra caídas.
  - Nunca exceda la distancia máxima de caída libre de su equipo de protección contra caídas.
  - No utilice ningún equipo de protección contra caídas que haya fallado antes de usarse o no haya pasado otras inspecciones programadas, o si tiene dudas sobre el uso o la idoneidad del equipo para su aplicación. Póngase en contacto con los servicios técnicos de 3M si tiene cualquier pregunta.
  - Algunas combinaciones de subsistemas y componentes pueden perjudicar el funcionamiento del equipo. Use solo conectores compatibles. Consulte con 3M antes de emplear este equipo con componentes o subsistemas distintos de los descritos en las instrucciones para el usuario.
  - Extreme la precaución cuando se encuentre alrededor de maquinaria en movimiento (p. ej., mecanismos de activación superiores de plataformas petrolíferas), cuando existan riesgos eléctricos, temperaturas extremas, peligros químicos, gases explosivos o tóxicos, bordes afilados o materiales que se encuentren por encima de usted y que podrían caer sobre usted o sobre el equipo de protección contra caídas.
  - Use dispositivos para trabajos en caliente o arco eléctrico cuando trabaje en ambientes a altas temperaturas.
  - Evite superficies y objetos que puedan dañar al usuario o al equipo.
  - Asegúrese de que haya una distancia de caída adecuada cuando trabaje en altura.
  - Nunca modifique o altere su equipo de protección contra caídas. Sólo 3M o las partes autorizadas por escrito por 3M pueden reparar el equipo.
  - Antes de usar el equipo de protección contra caídas, asegúrese de que existe un plan de rescate que permita un rápido rescate si se produce un incidente de caída.
  - Si hubiese un incidente de caída, busque atención médica inmediatamente para el trabajador que se haya caído.
  - No utilice un cinturón corporal para las aplicaciones de detención de caídas. Use sólo un arnés de cuerpo completo.
  - Trabaje en un lugar situado lo más directamente posible por debajo del punto de anclaje para minimizar la posibilidad de caídas con balanceo.
  - Si se está formando con este dispositivo, se debe utilizar un sistema de protección contra caídas secundario de manera que no exponga al aprendiz a un riesgo de caída involuntaria.
  - Lleve siempre el equipo de protección individual apropiado cuando instale, use o inspeccione el dispositivo/sistema.



Antes de utilizar este equipo, registre la información de identificación del producto indicada en la etiqueta de identificación (consulte la Figura 8) en el "Registro de inspección y mantenimiento" Tabla 2 al final de este manual.

Asegúrese siempre de estar utilizando la última versión de su manual de instrucciones de 3M. Visite el sitio web de 3M o póngase en contacto con los Servicios técnicos de 3M para obtener los manuales de instrucciones actualizados.

## DESCRIPCIÓN

La eslinga ajustable 3M™ Protecta® TRIGGER™ está diseñada para ser usada como parte de un sistema de posicionamiento de trabajo personal. Los sistemas de posicionamiento de trabajo normalmente incluyen un arnés de cuerpo completo o cinturón corporal, una eslinga de posicionamiento y un sistema de detención de caídas personal. El sistema de ajuste tiene la opción de ajustar fácilmente la longitud de la eslinga durante el uso. Este equipo no es apto para la detención de caídas y es necesario combinar el sistema de posicionamiento con medios colectivos (p. ej., redes de seguridad) o individuales (p. ej., sistemas de detención de caídas) para la protección contra una caída de altura.

La Figura 1 identifica la eslinga de posicionamiento de trabajo cubierta por esta instrucción. Están disponibles diferentes modelos con varias combinaciones de las siguientes características:

**Tabla 1: Especificaciones**

<b>ESPECIFICACIONES DE COMPONENTES</b>		
<b>Referencia de la figura 1:</b>		<b>Descripción:</b>
<b>Conector de cuerpo</b>	①	Dispositivo de ajuste de cuerda Trigger™
	②	AJ514/0
	③	AJ572/0
	④	AJ501/0
<b>Conector de soporte de cuerda</b>	⑤	AJ523/0
	⑥	20LF
	⑦	AJ565/0
	⑧	AJ595/0
<b>Cuerdas</b>	⑨	Cuerda estática - 10,5 mm (0,41 in.)
<b>Característica adicional</b>	⑩	Manguito de cubierta de cuerda protector resistente a la abrasión
<b>Extremo de la cuerda</b>	⑪	Nudo simple al final de la cuerda
<b>Etiquetas</b>	⑫	Etiquetas

## ESPECIFICACIONES DEL SISTEMA

### Rendimiento:

LY	Largo de la eslinga (consulte la Figura 1).
Capacidad:	1 Persona con un peso combinado (ropa, herramientas, etc.) de no más de: 140 kg (309 lb.)
Temperatura de funcionamiento:	Mínimo: -35 °C (-31 °F) Máximo: +57 °C (135 °F)

### Materiales:

Componente corporal del dispositivo:	Acero inoxidable, acero de aleación, aleación de aluminio y goma: límite elástico de 22 kN (4946 lbf)
Mosquetones:	Aleación de acero, Aluminio, Acero inoxidable - 22 kN (4 946 lbf) Mínimo Fuerza de tracción
Ganchos:	Acero, acero inoxidable y galvanizado o cromado: límite elástico de 22 kN (4946 lbf)
Cuerdas:	Nailon - 22 kN (4 946 lbf) Fuerza de tracción
Cubiertas de cuerda:	Poliéster, Nailon

## 1.0 USOS

- 1.1 OBJETIVO:** Las eslingas están diseñadas para funcionar como un componente de un sistema personal de detención de caídas (Personal Fall Protection System, consulte la figura 2). Pueden disipar la energía de caída, limitar las fuerzas de caída transferidas al cuerpo o ser utilizadas para posicionamiento y restricción en el trabajo, según su tipo. La Figura 1 identifica los modelos de eslinga que aparecen en este manual de instrucciones. Pueden utilizarse en la mayoría de las situaciones que requieran proporcionar al operario una combinación de movilidad y protección contra caídas (p. ej., tareas de inspección, construcción en general, tareas de mantenimiento, producción petrolera, trabajo en espacios confinados, etc.).
- 1.2 NORMAS:** Su eslinga cumple las normas nacionales o regionales identificadas en la portada de estas instrucciones. Consulte los requisitos locales que rigen la seguridad laboral para obtener información adicional en relación con la protección personal contra caídas. Si se revende este producto fuera del país de destino original, el revendedor deberá proporcionar estas instrucciones en el idioma del país en donde se vaya a utilizar el producto.
- 1.3 FORMACIÓN:** Este equipo está diseñado para ser utilizado por personas que hayan recibido formación sobre su uso y aplicación correctos. Es responsabilidad del usuario garantizar que está familiarizado con estas instrucciones, y que cuenta con formación en el cuidado y uso correctos de este equipo. El usuario también debe tener conocimiento de las características de funcionamiento, los límites de aplicación y las consecuencias del uso incorrecto de este equipo.
- 1.4 REQUISITOS:** Tenga siempre en cuenta las siguientes limitaciones cuando instale o utilice este equipo:
- **Capacidad:** Las eslingas son para uso de una sola persona con un peso combinado (ropa, herramientas, etc.) que cumpla con el rango de peso especificado en la Tabla 1 para el modelo de eslinga. Asegúrese de que todos los componentes del sistema se han preparado para una capacidad adecuada para la aplicación necesaria.
  - **Anclaje:** los anclajes seleccionados para los sistemas de detención de caídas deben ser capaces de sostener cargas estáticas, aplicadas en las direcciones permitidas por todo el sistema de al menos:
    - A. 12 kN (2 698 lb) para anclajes metálicos o 18 kN (4 047 lb) para anclajes textiles para anclajes no certificados, o
    - B. dos veces la fuerza máxima de detención para anclajes certificados.Si se permite según el tipo de anclaje, cuando se conecte al anclaje más de un sistema de detención de caídas, las resistencias mencionadas antes en (1) y (2) se deberán multiplicar por el número de sistemas conectados al anclaje.
  - **Caídas con oscilación:** Las caídas con oscilación ocurren cuando el punto de anclaje no se encuentra directamente encima del punto donde se produce la caída. La fuerza con que se golpea un objeto en una caída con oscilación puede causar lesiones graves (consulte la figura 3). Trabaje en un lugar situado lo más directamente posible por debajo del punto de anclaje para minimizar la posibilidad de caídas con balanceo. Siempre coloque y / o ajuste el cordón de tal manera que el punto de anclaje se mantenga al nivel de la cintura o por encima de este; el cordón se mantiene tenso; y, la libre circulación está restringida a un máximo de 0,6 m (1,97 pies).
  - **Peligros:** El uso de este equipo en zonas con peligros ambientales puede requerir precauciones adicionales para reducir la posibilidad de lesiones al usuario o de daños al equipo. Los peligros pueden incluir, entre otros: el calor excesivo, sustancias cáusticas, ambientes corrosivos, líneas de alta tensión, gases explosivos o tóxicos, maquinaria en movimiento, o materiales que puedan caer y golpear al usuario o al sistema de detención de caídas. Evite trabajar en lugares donde la eslinga pueda cruzarse o enredarse con el de otro trabajador. Evite trabajar en sitios donde pueda caer un objeto y golpear la eslinga, con riesgo de una pérdida de equilibrio o daños a la eslinga. No permita que la eslinga pase por debajo de los brazos o entre las piernas.

## 2.0 USO

- 2.1 PLAN DE RESCATE Y PROTECCIÓN CONTRA CAÍDAS:** La empresa deberá disponer de un plan de rescate o de protección contra caídas in situ. El plan debe proporcionar directrices y requisitos para el programa de protección contra caídas gestionadas de una empresa, lo que incluye políticas, deberes y formación, procedimientos de protección contra caídas, eliminación y control de los peligros de caída, procedimientos de rescate, investigaciones de incidentes y evaluación de la efectividad del programa.
- 2.2 FRECUENCIA DE INSPECCIÓN:** El trabajador debe inspeccionar las eslingas<sup>1</sup> antes de cada uso. Además debe realizar inspecciones una persona competente<sup>2</sup> que no sea el usuario. Las condiciones de trabajo extremas (entornos duros, uso prolongado, etc.) pueden hacer que sea necesario aumentar la frecuencia de las inspecciones que realizan las personas competentes. Dicha persona competente debe determinar los intervalos apropiados de inspección. Los procedimientos de inspección se describen en el apartado "*Registro de inspección y mantenimiento*" (Tabla 2). Los resultados de la inspección por parte de la persona competente deben registrarse en el *Registro de inspección y mantenimiento* o registrarse con el sistema RFID de identificación de radiofrecuencia.
- 2.3 COMPATIBILIDAD DE COMPONENTES:** Salvo que se indique lo contrario, el equipo 3M está diseñado para su uso solo con componentes y subsistemas aprobados por 3M. Las sustituciones que se hagan con componentes o subsistemas no aprobados pueden poner en peligro la compatibilidad del equipo y afectar a la seguridad y fiabilidad de todo el sistema.
- 2.4 COMPATIBILIDAD DE LOS CONECTORES:** Los conectores se consideran compatibles con los elementos de conexión cuando, sin importar cómo queden orientados, se han diseñado para trabajar en conjunto de manera que sus tamaños y formas no provoquen que sus mecanismos de apertura se abran inesperadamente. Póngase en contacto con 3M si tiene alguna duda sobre compatibilidad. Los conectores (ganchos, mosquetones y anillas D) deben poder sostener al menos 22 kN (5000 lb). Los conectores deben ser compatibles con el anclaje y los demás componentes del sistema. No utilice equipos que no sean compatibles. Los conectores no compatibles pueden desengancharse de manera accidental (consulte la Figura 4). Los conectores deben ser compatibles en tamaño, forma y resistencia. Se precisan mosquetones con cierre automático y mosquetones con cierre automático. Si el elemento conector al que se acopla un mosquetón con cierre automático o un mosquetón es más pequeño de lo normal o tiene forma irregular, puede suceder que el elemento conector ejerza una fuerza sobre el mecanismo de apertura del mosquetón con cierre automático o el mosquetón (A). Esta fuerza puede hacer que el mecanismo de apertura se abra (B) y permitir que el mosquetón con cierre automático o el mosquetón se desenganchen del punto de conexión (C).

**1 Trabajadores:** *Cualquier persona que esté protegida contra caídas por un sistema activo de protección contra caídas; o, en el caso de un sistema de detención de caídas; una persona que podría caer mientras está conectada al sistema.*

**2 Persona competente:** *una persona designada por el empleador que se encarga de la supervisión inmediata, implementación y seguimiento del programa de protección contra caídas del empleador, quien, mediante su formación y conocimiento, puede identificar, evaluar y atender los riesgos reales y potenciales de caídas, y que cuenta con la autorización del empleador para tomar medidas correctivas inmediatas en relación con dichos riesgos.*

**2.5 REALIZACIÓN DE CONEXIONES:** Los mosquetones con cierre automático y mosquetones que haya que usar con este equipo deben ser de autobloqueo. Asegúrese de que todas las conexiones sean compatibles en tamaño, forma y resistencia. No utilice equipos que no sean compatibles. Asegúrese de que todos los conectores estén totalmente cerrados y bloqueados. Los conectores 3M (mosquetones con cierre automático y mosquetones) están diseñados para usarse solo como se indica en las instrucciones del usuario del producto. Consulte la Figura 5 para ver ejemplos de conexiones incorrectas. No conecte mosquetones con cierre automático y mosquetones:

- A. A una anilla D que tenga otro conector acoplado.
- B. De una manera que suponga una carga sobre el mecanismo de apertura. Los mosquetones con cierre automático de apertura grande no deben conectarse a anillas D de tamaño estándar o a objetos similares, ya que podrían provocar una carga sobre el gancho si el mosquetón o la anilla D se torciera o girara, a menos que el mosquetón con cierre automático venga equipado con un gancho de 16 kN (3600 lb).
- C. En un acoplamiento en falso, cuando el tamaño o forma de los conectores de acoplamiento no sean compatibles y, sin confirmación visual, los conectores parece que están completamente acoplados.
- D. Entre sí.
- E. Directamente con una cincha, eslinga de cuerda o de autoamarre (a menos que en las instrucciones del fabricante, tanto para la eslinga como para el conector, se permita tal conexión).
- F. A cualquier objeto con forma o dimensión tal que el mosquetón con cierre automático o mosquetón no se cierre ni se bloquee, o que pueda soltarse.
- G. De modo que el conector no quede correctamente alineado mientras está soportando carga.

### 3.0 INSTALACIÓN Y AJUSTE

**3.1 PLANIFICACIÓN:** Planifique su sistema de protección contra caídas antes de empezar a trabajar. Tenga en cuenta todos los factores que podrían afectar a su seguridad antes, en el transcurso y después de una caída. Considere todos los requisitos y las limitaciones definidos en la sección 1.

**3.2 ANCLAJE:** Seleccione una ubicación de anclaje con mínimo riesgo de caída libre y de caída con balanceo (consulte la Sección 1). Seleccione un punto de anclaje rígido capaz de sustentar las cargas estáticas definidas en la Sección 1.

**3.3 CONEXIÓN DE LA SUJECIÓN DEL CUERPO:** La eslinga de retención o de posicionamiento para trabajo deberá utilizarse con un arnés de cuerpo completo o con un cinturón corporal. En caso de uso para retención, conecte la eslinga al elemento de fijación adecuado (anilla D) que haya en el arnés o en el cinturón. Consulte las instrucciones suministradas con el arnés o el cinturón en busca de otros usos para protección contra caídas y recomendaciones sobre conexiones.

**3.4 CONECTE A LA ESLINGA DE POSICIONAMIENTO DE TRABAJO:** Al realizar la conexión, asegúrese de que no se pueda producir el despliegue. (Consulte la Sección 2.5 "Conexiones"). Esto ocurre cuando se abre la apertura del gancho por accidente y éste se suelta, debido a una interferencia entre el gancho y el conector de acoplamiento.

**PASO 1:** Conecte el conector de soporte de cuerda de bloqueo (consulte la Figura 1) a la anilla D del lado izquierdo o derecho ubicado en el cinturón corporal del operador o en el arnés de cuerpo completo.

**PASO 2:** Coloque la eslinga alrededor de un anclaje seguro que sea capaz de sostener cargas de 12 kN (2 698 lb) o más. Cerciórese de que la eslinga esté asegurada de manera tal que no pueda resbalar ni pasar el punto de anclaje.

**PASO 3:** Conecte el conector de cuerpo de la eslinga (consulte la Figura 1) al lado opuesto de la anilla D. Cuando están conectados, el mosquetón con cierre automático o la puerta del mosquetón deben estar orientados hacia afuera y alejados del usuario.

**PASO 4:** Para acortar la cuerda, tire de la cola directamente hacia el punto de anclaje. (Figura 6)

**PASO 5:** Deje que la cuerda se alimente a través del ajustador mientras se inclina hacia atrás. Suelte el ajustador cuando esté en la posición deseada. (Figura 7)

**PASO 6:** Confirme el anclaje seguro, las conexiones adecuadas y el ajuste de la cuerda:

- Fuerza de anclaje adecuada.
- El mosquetón con cierre automático y el mosquetón están correctamente conectados al arnés de cuerpo completo o al cinturón corporal.
- La eslinga no puede deslizarse hacia abajo o más allá del punto de anclaje.
- La eslinga está tensada correctamente.

No utilice el mosquetón con cierre automático ni el mosquetón como autoamarre a la cuerda. Ambos conectores deben estar conectados a las anillas D laterales apropiadas. Nunca use la eslinga de posicionamiento de trabajo ajustable con un solo conector conectado al arnés de cuerpo completo.

### 4.0 FUNCIONAMIENTO

Los usuarios poco habituados a las eslingas (eslingas) deben consultar el apartado "Información de seguridad", que se encuentra al principio de este manual, antes de utilizar la eslinga.

**4.1 INSPECCIÓN DEL TRABAJADOR:** Antes de cada uso, inspeccione la eslinga siguiendo la "Lista de verificación de inspección", que se incluye en el apartado "Registro de inspección y mantenimiento" (Tabla 2). Si la inspección de la eslinga revela un estado no seguro de esta o indica que la misma ha sufrido desperfectos o ha sido sometida a fuerzas de caída, la eslinga se deberá dejar de utilizar y deberá ser destruida.

**4.2 FUNCIONAMIENTO:** Conecte siempre en primer lugar el extremo de sujeción del cuerpo de la eslinga al arnés de cuerpo completo o al cinturón corporal; y, a continuación, conecte el extremo del ramal a un anclaje adecuado. Minimice en todo momento la cantidad de holgura de la eslinga que hay en las proximidades de la zona con peligro de caída trabajando tan cerca del anclaje como sea posible. Consulte la sección 3 para obtener información detallada sobre la conexión de la sujeción del cuerpo y de los anclajes. Verifique regularmente los elementos de ajuste y / o ajuste durante el uso.

**4.3 DESPUÉS DE UNA CAÍDA:** Cualquier equipo que haya sido sometido a fuerzas de detención de caída o muestre signos de desperfectos como consecuencia del efecto de estas fuerzas, según se describe en el apartado "Registro de inspección y mantenimiento" (Tabla 2), se deberá dejar de utilizar y deberá ser destruido.

## 5.0 INSPECCIÓN

**5.1 FRECUENCIA DE INSPECCIÓN:** La eslinga deberá inspeccionarse a los intervalos que se definen en la sección 2. Los procedimientos de inspección se describen en el apartado "Registro de inspección y mantenimiento" (Tabla 2).

*Unas condiciones extremas de funcionamiento (entornos exigentes, uso prolongado, etc.) pueden requerir que se incremente la frecuencia de las inspecciones.*

**5.2 ESTADOS NO SEGUROS O DEFECTUOSOS:** Si durante la inspección se observa un estado no seguro o defectuoso de la eslinga, deje de utilizarla inmediatamente y destrúyala para evitar que se utilice por equivocación. Las eslingas no se pueden reparar.

**5.3 VIDA ÚTIL DEL PRODUCTO:** La vida útil de las eslingas 3M depende de las condiciones de trabajo y mantenimiento. Su máxima vida útil puede oscilar entre un año en casos de uso frecuente en condiciones extremas y 10 años en casos de poco uso en condiciones normales. Siempre que el producto cumpla los criterios de inspección, este podrá seguir utilizándose, con un máximo de 10 años.

## 6.0 MANTENIMIENTO, REPARACIONES Y ALMACENAMIENTO

*No limpie ni desinfecte las eslingas de ninguna otra forma que no sea la descrita en las instrucciones del apartado "Limpieza", que se incluyen a continuación. Otros métodos pueden tener efectos adversos para las eslingas o el usuario.*

**6.1 LIMPIEZA:** Los procedimientos de limpieza correspondientes a eslingas se exponen a continuación:

- Limpie periódicamente el exterior de la eslinga con agua y una solución jabonosa suave. La temperatura del agua no podrá exceder 40 °C (104 °F). Coloque la eslinga de modo que pueda drenarse el agua sobrante. No lave en seco el equipo. No planche el equipo. Limpie las etiquetas cuando sea necesario.
- Enjuague y seque completamente al aire. No acelere el secado con calor.

*Utilice un detergente sin lejía cuando vaya a limpiar las eslingas. NO DEBEN utilizarse suavizantes ni toallitas de secadora al limpiar y secar las eslingas.*

**6.2 REPARACIONES:** Las eslingas no se pueden reparar. Si las eslingas han sufrido cualquier desperfecto o se han sometido a una fuerza de caída, o si la inspección revela un estado no seguro o defectuoso de estas, deje de utilizarlas y deséchelas.

**6.3 ALMACENAMIENTO/TRANSPORTE:** Transporte y almacene las eslingas en un entorno fresco, seco y limpio, y apartado de la luz directa del sol. Evite las zonas donde pueda haber vapores químicos. Inspeccione cuidadosamente la eslinga después de cualquier periodo de almacenamiento prolongado.

## 7.0 ETIQUETAS

En la Figura 8 se ilustran las etiquetas que van fijadas a las eslingas y dónde se colocan. La eslinga deberá contar con todas las etiquetas - consulte la Figura 1.

La información de las etiquetas es la siguiente:

Referencia de la figura 8:	Descripción:
①	Número de modelo
②	Número de serie
③	Número de lote
④	Dirección del fabricante
⑤	Consulte las instrucciones
⑥	Norma europea
⑦	Marca CE
⑧	Número de organismo notificado que lleva a cabo la inspección de conformidad con respecto al tipo
⑨	Longitud
⑩	Mes de fabricación
⑪	Año de fabricación
⑫	Dirección web del fabricante
⑬	Diámetro de la cuerda
⑭	Capacidad



## OHUTUSTEAVE

**Enne selle tööasendisse paigutamise / liikumise piiramise rihma kasutamist lugege läbi ja tehke endale selgeks kogu käesolevas juhendis kirjeldatud ohutusteave ning järgige seda. SELLE REEGLI EIRAMINE VÕIB PÕHJUSTADA RASKEID VIGASTUSI VÕI SURMA.**

**Kasutusjuhend tuleb anda varustuse kasutajale. Jätke juhend edasiseks kasutamiseks alles.**

### Sihtotstarve

See tööasendisse paigutamise / liikumise piiramise rihm on mõeldud kasutamiseks osana terviklikust personaalsest kukkumiskaitstesüsteemist. Tööasendisse paigutamise / liikumise piiramise rihmu kasutatakse selleks, et takistada kasutaja kukkumisohtu sattumist või kukkumist.

3M ei kiida heaks muid kasutamisi, sealhulgas materjalikäitluses, vabaaja- või sporditegevustes või teistes käesolevas kasutusjuhendis kirjeldamata tegevustes, ning need võivad põhjustada raskeid vigastusi või surma.

Vahendit võivad kasutada ainult asjakohase väljaõppe läbinud kasutajad töökeskkonnas.

## HOIATUS

See tööasendisse paigutamise / liikumise piiramise rihm on osa personaalsest kukkumiskaitstesüsteemist. Eeldame, et kõik kasutajad läbivad põhjaliku väljaõppe personaalse kukkumiskaitstesüsteemi ohutu paigaldamise ja kasutamise kohta. **Selle vahendi väär kasutamine võib põhjustada raskeid vigastusi või surma.** Õige valiku, kasutamise, paigaldamise, hoolduse ja teenindamise kohta leiate teavet käesolevast kasutusjuhendist ja kõikidest tootja soovutustest, küsige juhiseid ülevaatajalt või võtke ühendust ettevõtte 3M tehnilise teenindusega.

- **Selleks et vähendada tööasendisse paigutamise / liikumise piiramise rihmaga töötamisega kaasnevat ohte, mille eiramine võib põhjustada raskeid vigastusi või surma:**
  - Kasutage seda vahendit ainult kasutaja tööasendisse paigutamiseks või kasutaja liikumise piiramiseks. Tööasendisse paigutamise rihmad tuleb reguleerida selliselt, et vabakukkumise kaugus on 60 cm (kaks jalga) või vähem ning kiikuv kukkumine on minimaalne. Liikumise piiramise rihmu kasutatakse selleks, et takistada kasutaja kukkumisohtu sattumist või kukkumist.
  - Ärge kasutage seda rihma (s.o energiat mitteneelavat rihma) peamise kukkumise peatamise vahendina.
  - Kontrollige vahendit enne iga kasutuskorda, vähemalt kord aastas ning pärast iga kukkumist. Kontrollimisel lähtuge kasutusjuhendist.
  - Kui märkate kontrolli käigus ohuolukorda või defekte, kõrvaldage vahend kasutuselt ja hävitage see.
  - Iga vahend, mis on kukkumist peatanud või millele on mõjunud löögid, tuleb viivitamata kasutuselt kõrvaldada. Lugege kasutusjuhendit või võtke ühendust ettevõtte 3M kukkumiskaitsevahendite osakonnaga.
  - Veenduge, et kõik ühendatud alamsüsteemid (nt rihmad) on ohtud, sealhulgas kaitstud teiste tööliste, teie enda, liikuvate masinate vm ümbritsevate objektide külge takerdumise eest.
  - Veenduge, et kasutatakse sobivaid servakaitsevahendeid, kui julgustusköis võib puutuda vastu teravaid servi või nurki.
  - Veenduge, et seade on paigutatud sihtotstarbeks sobival.
  - Kinnitage rihma vaba(d) ots(ad) rakmete köiepiduri kinnitus(t)e külge (kui need on olemas).
  - Ärge siduge rihma kuskile kinni ega selle sisse sõlmi.
  - Ärge ületage lubatud kasutajate piirmäära.
  - Veenduge, et erinevate tootjate valmistatud osadest kokku pandud kukkumisvastane varustus / alamsüsteemid ühilduvad ning on kooskõlas kohaldatavate standardite nõuetega, sh standardiga ANSI Z359 või teiste kohalduvate kukkumisvastast kaitset käsitlevate eeskirjadega, standardite või nõuetega. Enne vastavate süsteemide kasutamist konsulteerige alati pädeva või kvalifitseeritud töötajaga.
- **Selleks et vähendada kõrgustes töötamisega kaasnevat ohte, mille eiramine võib põhjustada raskeid vigastusi või surma:**
  - Veenduge, et teie tervislik ja füüsiline seisund võimaldab teil kõikide kõrgustes töötamisega kaasnevate ohtudega edukalt toime tulla. Kui teil tekib käesoleva vahendi kasutamisevõimega seoses küsimusi, konsulteerige oma arstiga.
  - Ärge kunagi ületage kukkumisvastase varustuse lubatud kandevõimet.
  - Ärge kunagi ületage kukkumisvastase varustuse maksimaalset vabakukkumise kõrgust.
  - Ärge kunagi kasutage kukkumisvastast varustust, mis ei läbi kasutuseelset või plaanilist kontrolli või juhul, kui tekib kahtlusi, kas vahend on konkreetseks kasutamiseks sobiv. Küsimuste korral võtke ühendust ettevõtte 3M tehnilise teenindusega.
  - Mõned alamsüsteemide või komponentide kombinatsioonid võivad häirida selle varustuse toimimist. Kasutage ainult ühilduvaid ühendusi. Pidage nõu ettevõttega 3M, enne kui kasutate varustust koos komponentide või alamsüsteemidega, mida ei ole kasutusjuhendis kirjeldatud.
  - Töötades liikuvate masinate (nt nafta puurtorni ülemine ajam) lähedal; keskkonnas, kus tuleb arvestada elektriohu, äärmuslike temperatuuride, ohtlike kemikaalide, plahvatusohtlike või mürgiste gaaside või teravate servadega või olla rippuvate materjalide all, mis võivad teile või kukkumisvastasele varustusele peale kukkuda, tuleb olla eriti ettevaatlik.
  - Kasutage kõrge temperatuuriga keskkonnas leegilahvatuse või kuuma temperatuuri eest kaitsvaid vahendeid.
  - Vältige kokkupuudet pindade ja objektidega, mis võivad kasutajat või varustust kahjustada.
  - Veenduge, et kõrgustes töötamise korral on kukkumisruum piisav.
  - Ärge modifitseerige ega muutke kukkumisvastast varustust. Selle varustuse remontimine on lubatud ainult 3M-il või tema poolt kirjalikult volitatud osapooltel.
  - Enne kukkumisvastase varustuse kasutamist veenduge, et on olemas päästekava, mis võimaldab kukkumise korral kiiret päästetegevust.
  - Kukkumise korral võimaldage kukkunud töötajale viivitamata arstiabi.
  - Ärge kasutage kukkumisvastase varustuse keharihma. Kasutage ainult täisrakmeid.
  - Vähendage võimaliku kukkumisega kaasneva kiikumisliigutuse amplituudi, töötage selleks vahetult nii ankurduspunkti all kui võimalik.
  - Käesoleva vahendi kasutamise väljaõppel tuleb kasutada täiendavat kukkumisvastast varustust, et kaitsta koolitatavat isikut tahtmatu kukkumise eest.
  - Kandke varustuse/süsteemi paigaldamisel, kasutamisel või kontrollimisel sobivaid isikukaitsevahendeid.

Enne selle varustuse kasutuselevõtmist kirjutage tehasesildilt välja toote tuvastamist võimaldavad andmed (vt jn 8), mis on vajalikud käesoleva kasutusjuhendi lõpus toodud ülevaatus- ja hoolduspäeviku täitmiseks.

Veenduge alati, et kasutate 3M kasutusjuhendi uusimat versiooni. Uusimad kasutusjuhendid leiate ettevõtte 3M veebilehelt või võtke ühendust ettevõtte 3M tehnilise teenindusega.

## KIRJELDUS

3M™ Protecta® TRIGGER™ reguleeritav on mõeldud kasutamiseks osana personaalsest tööasendisse paigutamise süsteemist. Tööasendisse paigutamise süsteem koosneb tavaliselt täisrakmetest või taljevööst, tööasendisse paigutamise rihmast ja personaalsest kukkumise pidurdamise varusüsteemist. Reguleerimissüsteem võimaldab kasutamise ajal hõlpsalt rihma pikkust kohandada. See varustus ei sobi kukkumise pidurdamiseks ning tööasendisse paigutamisel tuleb kasutada täiendavaid kollektiivseid meetmeid (nt kaitsevõrgud) või personaalseid meetmeid (nt kukkumise pidurdamise süsteemid), et kasutaja oleks kukkumise eest kaitstud.

Joonisel 1 on näidatud reguleeritav tööasendisse paigutamise rihm, mida käesolev juhend käsitleb. Saadaval on erinevad mudelid, millel on erinevad kombinatsioonid järgmistest omadustest.

**Tabel 1. Spetsifikatsioonid**

<b>KOMPONENDI SPETSIFIKATSIOONID</b>		
<b>Tähis joonisel 1</b>		<b>Kirjeldus</b>
<b>Kehaliitmik</b>	①	Trigger™-köieregulaator
	②	AJ514/0
	③	AJ572/0
	④	AJ501/0
<b>Köie julgestusliitmik</b>	⑤	AJ523/0
	⑥	20LF
	⑦	AJ565/0
	⑧	AJ595/0
<b>Kööied</b>	⑨	Staatiline köis - 10,5 mm (0,41 in.)
<b>Muud omadused</b>	⑩	Abrasioonikindel köie kaitseümbris
<b>Köie ots</b>	⑪	Lihne sõlm köie otsas
<b>Sildid</b>	⑫	Sildid

## **SÜSTEEMI SPETSIFIKATSIOONID**

<b>Jõudlus</b>	
LY	Rihma pikkus (vt jn 1).
Kandevõime	1 inimene, kelle koguraskus (rõivad, tööriistad jms) ei ületa: 140 kg (309 naela)
Töötemperatuur	Minimaalne: -35 °C (-31 °F) Maksimaalne: +57 °C (135 °F)

<b>Materjalid</b>	
Vahendi korpus	Roostevaba terase, legeerterase, alumiiniumsulami ja kummi tõmbetugevus - 22 kN (4946 naela)
Karabiinid	Legeerteras, Alumiinium, Roostevaba teras - 22 kN (4 946 lbf) Minimaalne Purunemistugevus
Konks:	Terase, roostevaba terase ja tsink- või kroomkatte tõmbetugevus - 22 kN (4946 naela)
Kööied:	Nailon - 22 kN (4 946 lbf) Purunemistugevus
Köis hõlmab:	Polüester, Nailon

## 1.0 RAKENDUSED

- 1.1 OTSTARVE.** Rihmad on mõeldud kasutamiseks osana personaalsest kukkumise pidurdamise süsteemist (vt joonis 2). Olenevalt tüübist saab neid kasutada kukkumisenõuetega summutamiseks, kehale mõjuvate kukkumisenõuetega piiramiseks või tööasendis paigutamiseks ja liikumise piiramiseks. Joonisel 1 on näidatud käesolevas kasutusjuhendis käsitletud rihmade mudelid. Neid saab rakendada enamikus olukordades, mis nõuavad samal ajal töötaja liikuvuse ja kukkumiskaitse tagamist (nt ülevaatused, üldehitus, hooldustööd, naftatööstus, töötamine piiratud ruumis jne).
- 1.2 STANDARDID.** See rihm vastab riiklikele või piirkonna standarditele, mis on ära toodud kasutusjuhendi esikaanel. Kukumiskaitsevahendeid puudutavat lisateavet vt kohalikest tööohutuse nõuetest. Kui seda toodet müüakse mujal kui algses sihtriigis, siis edasimüüja peab esitama käesoleva kasutusjuhendi selle riigi riigikeeles, kus toodet kasutatakse.
- 1.3 VÄLJAÕPE.** See varustus on mõeldud kasutamiseks töötajatele, kes on saanud varustuse nõuetekohaseks kasutamiseks vajaliku koolituse. Kasutaja kohustus on tagada, et ta on endale kasutusjuhised selgeks teinud ja on saanud varustuse nõuetekohaseks kasutamiseks vajaliku koolituse. Ühtlasi tuleb kasutajatel järgida varustuse funktsioone iseloomustavaid näitajaid, kasutuspiiranguid ja viia ennast kurssi varustuse väärkasutamisega kaasnevate tagajärgedega.
- 1.4 NÕUDED.** Varustuse paigaldamisel või kasutamisel tuleb alati järgida järgmisi piiranguid.
- **Kandevõime.** Rihma võib kasutada korraga üks inimene, kelle koguraskus (koos rõivastega, tööriistadega jms) ei ületa kandevõime vahemikku, mis on toodud vastava rihma mudeli kohta tabel 1. Veenduge, et kõik süsteemi komponendid on teie rakenduse jaoks sobiva kandevõimega.
  - **Ankurdus.** Kukumise pidurdamise süsteemide jaoks valitud ankurdused peavad olema piisavalt tugevad, et taluda staatilist koormust (kõigis süsteemi lubatud liikumissuundades), mille väärtus on vähemalt järgmine.
    - A. 12 kN (2 698 lb) metallankrutega või 18 kN (4 047 lb) tekstiilankrutega sertifitseerimata ankurduspunkti puhul.
    - B. Või kahekordne max pidurdusjõud sertifitseeritud ankurduspunkti puhul.Kui ankrud tüüp seda lubab ja ankurduspunktiga on ühendatud rohkem kui üks kukumise pidurdamise süsteem, tuleb punktides (1) ja (2) nimetatud tugevusi korrutada ankurduspunktiga ühendatud süsteemide arvuga.
  - **Kiikuv kukkumine.** Kiikuv kukkumine toimub juhul, kui ankurduspunkt ei paikne võimaliku kukkumise korral vahetult töötaja kohal. Kiikuv kukkumisel mõne objekti vastu põrkamine võib tuua kaasa raske kehavigastuse (vt joonis 3). Vähendage võimaliku kukkumisega kaasneva kiikumisiigutuse amplituudi, töötage selleks vahetult nii ankurduspunkti all kui võimalik. Paigaldage ja / või reguleerige alati rihma nii, et kinnituspunkt jääks vöökohta tasemele või kõrgemale; rihm on pingul; vaba liikumine on maksimaalselt 0,6 m (1,97 jalga).
  - **Ohud.** Selle varustuse kasutamisel objektidel, kus võib olla ümbritsevaid ohtusid, tuleb olla eriti tähelepanelik, et vältida kasutaja vigastamise või varustuse kahjustamise ohtu. Ohuallikateks on muu hulgas kõrge kuumus, söövitavate omadustega kemikaalid, korrodeeriv keskkond, kõrgepingeliinid, plahvatusohtlikud või mürgised gaasid, liikuv tehnika või kuumutatud materjalid, mis võivad sattuda kontakti kasutaja või kukkumiskaitse süsteemiga. Vältige töötamist kohas, kus on oht rihma ristumiseks või takerdumiseks mõne teise töötaja rihmaga. Vältige töötamist kohas, kus on oht esemete kukkumiseks rihmale, millega kaasneb tasakaalu kadumine või rihma kahjustamine. Ärge suunake rihma käe alt või jalgade vahelt läbi.

## 2.0 KASUTAMINE

- 2.1 KUKKUMISKAITSE- JA PÄASTEPLAAN.** Tööandjal peab olema kukkumiskaitse- ja päästeplaan. Plaan peaks sisaldama juhtnõude ja nõudeid, mis puudutavad tööandja kukkumiskaitseprogrammi, sh reegleid, kohustusi ja väljaõpet; kukkumiskaitse protseduure; kukkumisohtude kõrvaldamist ja ohjamist; pääste protseduure; juhtumite uurimist; ning programmi tõhususe hindamist.
- 2.2 ÜLEVAATUSE INTERVALL.** Töötaja<sup>1</sup> peaks kontrollima rihma enne iga kasutuskorda. Lisaks peab ülevaatusi tegema ka pädev isik<sup>2</sup>, kes pole ise toote kasutaja. Töötamine rasketes oludes (karmid tingimused, pikaajaline kasutamine jne) nõuavad sagedasemat ülevaatusi selleks pädeva isiku poolt. Pädev isik peab kasutama sobivate ülevaatusintervallide määramiseks ülevaatusgraafikut. Ülevaatus protseduuri on kirjeldatud lõigus „Ülevaatus- ja hoolduspäevik“ (tabel 2). Iga pädeva isiku kontrolli tulemused tuleks dokumenteerida ülevaatus- ja hoolduspäevikuga või neid tuleks jälgida raadiosagedustuvastuse (RFID) süsteemiga.
- 2.3 ÜHILDUVAD KOMPONENDID.** Kui pole just teisiti välja toodud, on ettevõtte 3M varustus mõeldud kasutamiseks ainult ettevõtte 3M heakskiidetud komponentide ja alamsüsteemidega. Komponentide asendamine või väljavahetamine kinnitust mitteomavate komponentide või alamsüsteemide vastu seab ohtu varustuse ühilduvuse ja vähendab terve süsteemi ohutust ning töökindlust.
- 2.4 LIITMIKE ÜHILDUVUS.** Liitmikke saab pidada ühendusdetailidega ühilduvateks juhul, kui need on koos toimimiseks välja töötatud nii, et nende mõõtmed ja vormid ei põhjusta liitmike värvamehhanismide soovimatut avanemist hoolimata sellest, kuidas need on suunatud. Juhul kui teil tekib küsimusi ühilduvuse kohta, võtke ühendust ettevõttega 3M. Liitmikud (haagid, karabiinid ja D-rõngad) peavad taluma vähemalt 22 kN (5000 naelast) koormust. Liitmikud peavad ühilduma ankurdussüsteemide ja süsteemi muude komponentidega. Ärge kasutage mitteühilduvat varustust. Mitteühilduvad liitmikud võivad kinnitusest ootamatult lahti tulla (vt jn 4). Liitmikud peavad ühilduma oma mõõtmete, kuju ja tugevusomaduste poolest. Kasutatavad konksud ja karabiinid peavad olema iselukustuvad. Juhul kui ühenduselement, mille külge kinnitatakse iselukustuv konks või karabiin, on alamõduline või ebasobiva kujuga, võib ette tulla olukordi, kus liitelemendi avaldatav jõud rakendub iselukustuva konksu või karabiini värvale (A). Sellisel juhul võib põhjustada värvava avanemise (B), mille tagajärjeks on iselukustuva konksu või karabiini irdumine ühenduspunktist (C).

**1 Töötaja:** iga isik, kes on kaitstud kukkumise eest aktiivse kukkumiskaitse süsteemiga; või kukumise pidurdamise süsteemi puhul iga isik, kes võiks kukkuda, kui ta poleks süsteemi külge kinnitatud.

**2 Pädev isik:** tööandja määratud isik, kes vastutab tööandja kukkumiskaitseprogrammi juhtimise, juurutamise ja jälgimise eest ning on tänu asjakohasele väljaõppele ja teadmistele suuteline olemasolevaid ja potentsiaalseid kukkumisohte tuvastama, hindama ja nendega tegelema ning, kellel on tööandja voli võtta kiireid parandusmeetmeid selliste ohtude lahendamiseks.



- 2.5 ÜHENDUSTE TEGEMINE.** Selle varustusega kasutatavad konksud ja karabiinid peavad olema iselukustuvad. Veenduge, et kõik liitmikud ühilduvad omavahel nii mõõtmete, kuju kui ka tugevusomaduste poolest. Ärge kasutage mitteühilduvat varustust. Veenduge, et kõik liitmikud on korrektselt sulgunud ja lukustunud. Ettevõtte 3M liitmikud (vedruhaagid ja karabiinid) on mõeldud kasutamiseks üksnes vastava toote kasutusjuhendis kirjeldatud viisil. Joonisel 5 on kujutatud ebakorrektselt tehtud ühendusi. Mitte ühendada iselukustuvaid konkse ja karabiine:
- D-rõngaga, mille külge on kinnitatud teine liitelement.
  - Väravale koormust avaldaval viisil. Suure avaga iselukustuvaid konkse ei tohiks ühendada standardmõõdus D-rõngastega ega sarnaste objektidega, mis põhjustaks koormust väravale, kui konks või D-rõngas pöörleb või, kui iselukustuval konksul pole just 16 kN (3600 naelast) värvat.
  - Võltskinnitusse, mille puhul liitelementide suurus või kuju ei sobi kokku ja ilma visuaalse vaatluseta tundub, et liitelemendid on korralikult ühendatud.
  - Teineteise külge.
  - Vahetult lindi, köie või otsariba külge (välja arvatud juhul, kui nii rihma kui ka liitmiku tootja juhised lubavad selgesõnaliselt sellist liidet teha).
  - Mitte ühegi sellise eseme külge, mille kuju või mõõtmed ei võimalda iselukustuval konksul või karabiinil täielikult sulguda ja lukustada või millega kaasneb oht ühenduse lahtijooksmiseks.
  - Liitmikku koormuse all valesse asendisse sundival viisil.

### 3.0 PAIGALDAMINE JA REGULEERIMINE

- 3.1 KAVANDAMINE.** Enne töö alustamist tuleb kukkumiskaitsevahendite kasutamine hoolikalt läbi mõelda. Kõikide võimalike asjaolude ettenägemisest sõltub teie turvalisus enne kukkumist, kukkumise ajal ja pärast kukkumist. Järgige kõiki lõigus 1 kirjeldatud nõudeid ja piiranguid.
- 3.2 ANKURDUS.** Joonisel 6 on näidatud rihma ankurdamine. Valige ankurdus nii, et vabakukkumine ja kiikumisruum jääks vähim võimalik (vt lõik 1). Valige jäik ankurduspunkt, mis on piisavalt tugev lõigus 1 nimetatud konkreetse staatilise koormuse jaoks.
- 3.3 KEHA TOESTAV ÜHENDUS.** Tööasendisse paigutamise/liikumise piiramise rihma tuleb kasutada koos täisrakmetega või taljevööga. Liikumise piiramise rakendustes ühendage rihm sobiva kinnituselemendiga (D-rõngas) rakmetel või taljevööl. Lisateavet muude kukkumiskaitserakenduste ja soovituslike ühenduste kohta vt rakmete või taljevöö kasutusjuhendist.
- 3.4 ÜHENDAGE TÖÖASENDISSE PAIGUTAMISE RIHMAGA.** Ühendamisel tuleb veenduda, et väljarullumine ei ole võimalik. (Vt lõiku 2.5 „Ühendused“.) Väljarullumine juhtub, kui haagi ja vastaspinna vaheline tõke põhjustab haagi soovimatu avanemise ja eraldumise.
- SAMM.** Ühendage iselukustuv köie julgestusliitmik (vt jn 1) vasaku või parema külje D-rõngaga kasutaja taljevööl või täisrakmetel.
  - SAMM.** Paigutage rihm ümber turvalise ankruga, mis talub vähemalt 12 kN (2 698 lb) pidevat koormust. Veenduge, et rihm on kinnitatud niimoodi, et see ei saa ankurduspunkti madalamale ega edasi libiseda.
  - SAMM.** Ühendage rihma kehaliitmik (vt jn 1) vastaskülje D-rõngaga. Iselukustuva konksu või karabiini värav peab olema pärast ühendamist suunatud väljapoole ja kasutajast eemale.
  - SAMM.** Köie lühendamiseks tõmmake otsa otse ankurduspunkti suunas. (Joonis 6)
  - SAMM.** Nõjatuge taha ja laske köiel läbi regulaatori joosta. Vabastage regulaator, kui see on soovitud asendis. (Joonis 7)
  - SAMM.** Kontrollige ankurdust, ühendusi ja köie paigutust järgmise suhtes.
    - Ankruga tugevus on sobiv.
    - Iselukustuv konks ja karabiin on korralikult täisrakmete või taljevöö külge ühendatud.
    - Rihm ei saa ankurduspunkti madalamale ega edasi libiseda.
    - Rihm on õige pingusega.

Ärge kasutage iselukustuvat konksu ega karabiini tagasi köie külge sidumiseks. Mõlemad liitmikud peavad olema ühendatud sobivate külgmiste D-rõngastega. Ärge kasutage kunagi reguleeritavat tööasendisse paigutamise rihma, kui ainult üks liitmik on täisrakmetega ühendatud.

### 4.0 KASUTAMINE

Esmakordselt või harva id rihmasid (rihmasid) kasutavad isikud peaksid enne rihma kasutamist lugema läbi käesoleva juhendi alguses oleva lõigu „Ohutusteave“.

- 4.1 TÖÖTAJA TEHTAV ÜLEVAATUS.** Kontrollige rihma enne iga kasutuskorda, kooskõlas kontroll-loendiga ülevaatus- ja hoolduspäevikus (tabel 2). Kui ülevaatusel ilmneb ohtlikke puudusi või märgatakse, et rihm on saanud mis tahes kahjustusi või sellele on avaldunud kukkumisjõud, tuleb rihm kasutuselt kõrvalda ja utiliseerida.
- 4.2 KASUTAMINE.** Joonisel 2 on kujutatud süsteemi ühendusi tüüpilise liikumise piiramise/tööasendisse paigutamise rakenduse korral. Ühendage rihma keha toestav ots alati esmalt täisrakmetega või taljevööga ja ühendage seejärel haru ots sobiva ankruga. Hoidke rihma lõtku kukkumisohu läheduses alati minimaalsena, töötades ankurduspunktile võimalikult lähedal. Lisateavet keha toestava varustusega ja ankurduspunktiga ühendamise kohta vt lõigust 3. Kontrollige regulaarselt kinnitus- ja / või reguleerimiselemente kasutamise ajal.
- 4.3 PÄRAST KUKKUMIST.** Iga rihm, millele on avaldunud kukkumise pidurdamise jõud või millel on kahjustusi, mis viitavad kukkumise pidurdamise jõudude mõjudele, mida on kirjeldatud ülevaatus- ja hoolduspäevikus (tabel 2), tuleb viivitamatult kasutuselt kõrvaldada ja utiliseerida.

## 5.0 ÜLEVAATUS

5.1 Ülevaatus protseduuri on kirjeldatud lõigus „Ülevaatus- ja hoolduspäevik“ (tabel 2).

Töötamine rasketes oludes (karmid tingimused, pikaajaline kasutamine jne) nõuavad sagedasemat ülevaatus.

5.2 **OHUTUST VÄHENDAVAD PUUDUSED JA DEFEKTID.** Kui märkate kontrolli käigus ohtlikku puudust või defekti, tuleb rihm viivitamatult kasutuselt kõrvaldada ja hävitada, et vältida selle kasutamist tähelepanematuses. Rihmasid pole võimalik parandada.

5.3 **TOOTE KASUTUSIGA.** 3M-i rihma kasutusiga sõltub töötingimustest ja hooldusest. Maksimalne kasutusiga on alates 1 aastast pideva kasutamise korral äärmuslikes oludes kuni 10 aastani harva ja kergetes oludes kasutamise korral. Toodet võib kasutada, kuni see vastab ülevaatus kriteeriumitele (max kuni 10 aastat).

## 6.0 HOOLDUS, TEENINDUS JA HOIUNDAMINE

Ärge puhastage ega desinfitseerigerihmasid mis tahes muul meetodil, mida pole kirjeldatud järgmistes puhastamisjuhistes. Muudel meetoditel võib olla rihmadele või kasutajale negatiivseid mõjusid.

### 6.1 PUHASTAMINE. ID RIHMASID TULEB PUHASTADA JÄRGMISELT.

- Puhastage regulaarselt rihma välispinda vee ja pehmetoimelise seebi lahusega. Vee temperatuur ei tohi ületada 40 °C (104 °F). Paigutage rihm niimoodi, et liigne vesi saab välja valguda. Ärge viige keemilisse puhastusse. Ärge triikige. Puhastage sildid nõuetekohaselt.
- Loputage ja laske õhu käes täielikult ära kuivada. Mitte kiirendada kuivamist kuumutamise teel.

Kasutage rihmade puhastamisel pleegitivaba pesuvahendit. Rihmade puhastamisel ja kuivatamisel EI TOHI kasutada pesupehmeid ega pesupehmenuslappi.

6.2 **REMONTIMINE.** Rihmasid pole võimalik parandada. Kui rihm on saanud mis tahes kahjustusi või sellele on avaldunud kukkumisjõud või ülevaatusel leitakse sellel ohtlikke puudusi või defekte, tuleb rihm kasutuselt kõrvalda ja utiliseerida.

6.3 **HOIUNDAMINE/TRANSPORT.** Hoiundage ja transportige rihmasid jahedas, kuivas, puhtas keskkonnas, kaitstuna otsese päikesevalguse eest. Vältige ruume, kus võib olla kemikaalide aure. Pärast pikemaajalist hoiundamist tehke rihmale põhjalik ülevaatus.

## 7.0 SILDID

Joonisel 8 on näidatud te rihmade sildid ja nende asukohad. Kõik rihma sildid peavad olema alles - vt jn 1.

Siltidel on toodud järgmine teave.

Vt jn 8.	Kirjeldus:
①	Mudelinumber
②	Seerianumber
③	Partii number
④	Tootja aadress
⑤	Lugege juhendit
⑥	Euroopa standard
⑦	CE-märgis
⑧	Tüübihindamist teostanud teavitatud asutuse number
⑨	Pikkus
⑩	Valmistamiskuu
⑪	Valmistamisaasta
⑫	Tootja veebiaadress
⑬	Kõie läbimõõt
⑭	Kandevõime



## TURVALLISUUSTIEDOT

**Kaikki näissä ohjeissa olevat turvallisuustiedot tulee lukea sekä ymmärtää, ja niitä tulee noudattaa ennen tämän työasemointiin käytettävän / liikkumavaraa rajoittavan köyden käyttöä. EDELLÄ MAINITUN LAIMINLYÖNTI VOI JOHTAA VAKAAN LOUKKAANTUMISEEN TAI KUOLEMAAN.**

**Nämä ohjeet tulee antaa näiden varusteiden käyttäjälle. Säilytä nämä ohjeet myöhempää tarvetta varten.**

### Käyttötarkoitus:

Tämä työasemointiin käytettävä / liikkumavaraa rajoittava köysi on tarkoitettu käytettäväksi osana kokonaista henkilönsuojaimiin kuuluvaa putoamisenestojärjestelmää. Työasemointiin käytettäviä / liikkumavaraa rajoittavia köysiä käytetään käyttäjän putoamisvaaraan joutumisen tai sellaiselle altistumisen estämiseen.

Käyttö muihin tarkoituksiin, kuten materiaalien käsittelyyn, virkistys- tai urheilutoimintaan tai muuhun sellaiseen toimintaan, joita ei käyttöohjeessa kuvata, ei ole 3M:n hyväksymää ja saattaa johtaa vakavaan loukkaantumiseen tai kuolemaan.

Tätä laitetta voivat käyttää ainoastaan koulutetut käyttäjät työskentelytarkoituksiin.

## VAROITUS

Tämä työasemointiin käytettävä / liikkumavaraa rajoittava köysi on osa kokonaista henkilönsuojaimiin kuuluvaa putoamisenestojärjestelmää. Kaikkien käyttäjien odotetaan olevan täysin koulutettuja omien henkilökohtaisten putoamisenestojärjestelmiensä turvallisen asentamisen ja käytön suhteen. **Tämän laitteen väärinkäyttö saattaa johtaa vakavaan loukkaantumiseen tai kuolemaan.** Tietoja asianmukaisesta valinnasta, käytöstä, asennuksesta, ylläpidosta ja huollosta saa tutkimalla näitä käyttöohjeita ja kaikkia valmistajan suosituksia, kysymällä esimieheltä tai ottamalla yhteyttä 3M:n tekniseen palveluun.

- **Työasemointiin käytettävän / liikkumavaraa rajoittavan köyden kanssa työskentelyyn liittyviä, mahdollisesti vakavan loukkaantumisen tai kuoleman aiheuttavia riskejä voidaan vähentää seuraavin tavoin:**
  - Tätä laitetta tulee käyttää ainoastaan työasemointiin tai liikkumavaran rajoittamiseen. Työasemointiköydet tulee säätää siten, että vapaa pudotus on korkeintaan n. 60 cm ja että köydet minimoivat heilahtavan putoamisen. Liikkumavaraa rajoittavien köysien tulee estää käyttäjää joutumasta putoamisvaaraan tai altistumasta sellaiselle.
  - Tätä köyttä (ts. nykyistä vaimentamatonta köyttä) ei tule koskaan käyttää ensisijaisena putoamisenestolaitteena.
  - Kaikki järjestelmän komponentit tulee tarkastaa ennen jokaista käyttökertaa, vähintään kerran vuodessa, ja jokaisen putoamistapauksen jälkeen. Suorita tarkastus käyttöohjeiden mukaisesti.
  - Jos tarkastuksessa ilmenee vikoja tai laitteen kunto osoittautuu vaaralliseksi, tulee laite poistaa käytöstä välittömästi ja hävittää.
  - Kaikki laitteet, joita on käytetty putoamisen pysäyttämiseen tai joihin on kohdistunut putoamiseneston iskuvoima, on välittömästi poistettava käytöstä. Lisätietoja saa käyttöohjeista tai ottamalla yhteyttä 3M-putoamisenestoon.
  - On varmistettava, että kytketyt alajärjestelmät (esim. köydet) eivät luo vaaratekijöitä esimerkiksi takertumalla muihin työntekijöihin, käyttäjään itseensä, liikkuviin koneisiin tai muihin ympäröiviin esineisiin.
  - Asianmukainen reunasuojuksen käyttö on varmistettava, mikäli turvaköyden osuminen teräviin reunoihin tai kulmiin on mahdollista.
  - Laitteen asianmukainen kytkeminen tarkoitettua käyttöä varten on varmistettava.
  - Köyden käyttämättömät osat tulee kiinnittää valjaiden säilytyskoukkuihin, mikäli sellaisia on.
  - Köyttä ei saa sitoa eikä solmia.
  - Sallittua käyttäjämäärää ei saa ylittää.
  - Varmista, että muiden valmistajien komponenteista kootut putoamisenestojärjestelmät/alijärjestelmät ovat yhteensopivia ja täyttävät asianomaisten standardien vaatimukset, mukaan lukien ANSI Z359 tai muut sovellettavat putoamisenestokoodit, -standardit tai -vaatimukset. Ennen näiden järjestelmien käyttöä tulee aina kääntyä pätevän tai pätevoidyn henkilön puoleen.
- **Vähentääksesi korkealla työskentelyyn liittyviä riskejä, jotka mahdollisesti voivat aiheuttaa vakavan loukkaantumisen tai kuoleman:**
  - Varmista, että terveydentilasi ja fyysinen kuntosi on tarpeeksi hyvä, jotta pystyt kestäämään kaikki korkealla työskentelyyn liittyvät voimat. Keskustele lääkärisi kanssa, mikäli sinulla on kysyttävää näiden laitteiden käyttöön liittyvistä valmiuksistasi.
  - Älä koskaan ylitä putoamisenestolaitteiden sallittua kapasiteettia.
  - Älä koskaan ylitä putoamisenestolaitteiden vapaan pudotuksen enimmäisetäisyyttä.
  - Älä käytä putoamisenestolaitteita, jotka eivät läpäise ennen käyttöä tehtäviä tai muita suunniteltuja tarkastuksia tai jos olet huolissasi laitteiden käytöstä tai sopivuudesta käyttötarkoitukseen. Jos sinulla on kysyttävää, ota yhteyttä 3M:n tekniseen palveluun.
  - Jotkut alajärjestelmät ja osayhdistelmät saattavat häiritä tämän laitteen toimintaa. Käytä vain yhteensopivia liitäntöjä. Ota yhteyttä 3M:ään ennen tämän laitteen käyttöä yhdessä sellaisten osien tai alajärjestelmien kanssa, joita ei kuvata tässä käyttöohjeessa.
  - Ota käyttöön ylimääräiset varotoimenpiteet, kun työskentelet liikkuvien laitteiden (esim. öljynporaustornien koneistot), sähkövaarojen, korkeiden lämpötilojen, kemiallisten vaarojen, räjähtävien tai myrkyllisten kaasujen tai terävien reunojen läheisyydessä tai yläpuolellasi sijaitsevien materiaalien lähellä, jotka voivat pudota päällesi tai putoamisenestolaitteen päälle.
  - Käytä valokaari- tai kuumatyölaitteita, kun työskentelet erittäin kuumissa ympäristöissä.
  - Vältä pintoja ja esineitä, jotka voivat vahingoittaa käyttäjää tai laitteita.
  - Varmista, että korkealla työskennellessä käytössä on riittävä putoamiskorkeus.
  - Älä koskaan muokkaa tai muuta putoamisenestolaitetta. Vain 3M tai sen kirjallisesti valtuuttamat tahot saavat tehdä korjauksia tähän laitteeseen.
  - Ennen putoamisenestolaitteiden käyttöä varmista, että käytössä on pelastussuunnitelma, jonka avulla voidaan toteuttaa nopea pelastus putoamistapaturman tapahtuessa.
  - Jos putoamistapaturma tapahtuu, hae välittömästi lääkinnällistä apua pudonneelle työntekijälle.
  - Älä käytä vartaloovyötä putoamisenestosovelluksissa. Käytä ainoastaan kokovartalovaljaita.
  - Minimoi heilahtavan putoamisen mahdollisuus työskentelemällä niin suoraan ankkuroidintipiteen alla kuin mahdollista.
  - Mikäli laitteella harjoitellaan, on käytettävä toissijaista putoamisenestojärjestelmää tavalla, joka ei altista koulutettavaa henkilöä tahattomalle putoamiselle.
  - Käytä aina asianmukaisia henkilönsuojaimia kun asennat, käytät tai tarkastat laitetta/järjestelmää.

Ennen tämän tuotteen käyttöä tulee tuotteen tunnistustiedot (ks. kuva 8) merkitä tämän käyttöoppaan loppuosassa olevaan "tarkastus- ja kunnossapitolokin" taulukkoon 2.

Varmista aina, että käyttämäsi opas on 3M-käyttöoppaan viimeisin versio. Päivitetyyn käyttöoppaan saa 3M-verkkosivustosta tai ottamalla yhteyden 3M:n teknisiin palveluihin.

## KUVAUS

Säädettävä 3M™ Protecta® TRIGGER™-turvahihna on tarkoitettu käytettäväksi osana jotain työasemointijärjestelmää. Työasemointijärjestelmät sisältävät tavallisesti kokovartalovaljaat tai vartalovyön, asemointiköyden sekä putoamisen pysäyttävän varajärjestelmän. Säättöjärjestelmä sisältää ominaisuuden, jolla turvahihnan pituutta on mahdollista säätää helposti käytön aikana. Tämä laite ei sovellu putoamissuojaukseen, ja sen vuoksi on välttämätöntä huolehtia työasemoinnin lisäjärjestelyistä yleisesti (esim. turvaverkot) tai yksilöllisesti (esim. putoamissuojauksjärjestelmät), jotta mahdolliselta korkealta putoamiselta suojaudutaan.

Kuvassa 1 näkyy se säädettävä työasemointiturvahihna, jota tämä käyttöopas koskee. Malleja on saatavilla seuraavien ominaisuuksien eri yhdistelmillä:

### Taulukko 1 – Tekniset tiedot

<b>OSIEN ERITELMÄ</b>		
<b>Kuva 1, viitteet:</b>		<b>Kuvaus:</b>
<b>Vartaloliitin</b>	①	Trigger™-köydensäätölaite
	②	AJ514/0
	③	AJ572/0
	④	AJ501/0
<b>Köysitukiliitin</b>	⑤	AJ523/0
	⑥	20LF
	⑦	AJ565/0
	⑧	AJ595/0
<b>köydet</b>	⑨	Staattinen köysi - 10,5 mm (0,41 in.)
<b>Lisävaruste</b>	⑩	Hankausta kestävä suojaava ja köyden peittävä holkki
<b>köyden pääte</b>	⑪	Yksinkertainen solmu köyden päässä
<b>Merkinnät</b>	⑫	Merkinnät

### JÄRJESTELMÄN ERITELMÄ

<b>Suorituskyky:</b>	
LY	Köyden pituus (ks. kuva 1).
Kapasiteetti:	1 henkilö, jonka kokonaispaino (vaatteet, työkalut jne.) on korkeintaan: 140 kg (309 lbs)
Käyttölämpötila:	Vähintään: -35 °C (-31 °F) Enintään: +57 °C (135 °F)

### **Materiaalit:**

Laitteen runko-osa:	Ruostumaton teräs, seosteräs, alumiiniseos ja kumi - vetolujuus 22 kN (4 946 lbs)
Karbiinihaat:	Seosteräs, Alumiini, Ruostumaton teräs - 22 kN (4 946 lbf) Vähintään Vetolujuus
Koukut:	Teräs, ruostumaton teräs sekä sinkki- tai kromipäällyste - vetolujuus 22 kN (4 946 lbs)
Köydet:	nailon - 22 kN (4 946 lbf) Vetolujuus
Köyden kannet:	polyesteri, nailon

## 1.0 KÄYTTÖKOHTTEET

- 1.1 KÄYTTÖTARKOITUS:** Turvahihnat on suunniteltu putoamissuojausjärjestelmien osaksi - ks. kuva 2. Ne voivat vaimentaa putoamisenergiaa sekä rajoittaa kehoon kohdistuvaa putoamisvoimaa. Niitä voidaan myös käyttää työasemointiin ja varmistamiseen tyypistä riippuen. Kuvassa 1 näkyy, mitä turvahihnamalleja tämä käyttöopas koskee. Niitä voidaan käyttää useimmissa tilanteissa, joissa työntekijän kyky liikkua ja putoamisenesto ovat tarpeen (ts. tarkastukset, yleiset rakennustyöt, huoltotyöt, öljyntuotanto, ahtaat työtilat jne.).
- 1.2 STANDARDIT:** Tämä turvahihna täyttää ne maan ja alueen standardit, jotka on merkitty näiden ohjeiden etukanteen. Putoamissuojaimia koskevia lisätietoja löytyy paikallisista työturvallisuutta koskevista määräyksistä. Jos tätä tuotetta jälleenmyydään alkuperäisen kohdemaan ulkopuolella, jälleenmyyjän on toimitettava nämä ohjeet tuotetta käyttävän maan omalla kielellä.
- 1.3 KOULUTUS:** Näiden varusteiden asentajien ja käyttäjien tulee olla koulutettuja varusteiden oikeaan käyttöön. Käyttäjän vastuulla on tutustua näihin ohjeisiin ja varmistaa, että hän on saanut koulutuksen varusteiden oikeaan huoltoon ja käyttöön. Käyttäjän tulee myös olla tietoinen näiden varusteiden ominaisuuksista, käyttörajoituksista ja virheellisen käytön seurauksista.
- 1.4 VAATIMUKSET:** Seuraavat rajoitukset on aina huomioitava tämän laitteen asennuksessa ja käytössä:
- **Enimmäiskantavuus:** Turvahihnat on tarkoitettu yhdelle käyttäjälle, jonka kokonaispaino (vaatteet, työkalut jne.) vastaa kyseessä olevalle turvahihnamallille taulukko 1 mainittua painoväliä. Varmista, että järjestelmän kaikki komponentit on luokiteltu käyttökohteeseen sopivan enimmäiskantavuuden mukaan.
  - **Kiinnitys:** Putoamissuojausjärjestelmille valittujen kiinnityspisteiden tulee kestää koko järjestelmän sallimissa suunnissa vähintään seuraavia järjestelmään kohdistuvia staattisia kuormia:
    - A. 12 kN (2 698 lb), jos kyseessä on metallikiinnike tai 18 kN (4 047 lb), jos kyseessä on tekstiilikiinnike, mikäli kyseessä ovat sertifioidut kiinnityskohtat tai
    - B. enimmäispysäytysvoima kerrottuna kahdella, mikäli kyseessä on sertifioitu kiinnityskohta.Jos kiinnityskohtaan on kiinnitetty useampia kuin yksi putoamissuojausjärjestelmä, kohdissa (1) ja (2) mainitut lujuudet tulee kertoa kiinnityskohtaan kiinnitettyjen järjestelmien määrällä, mikäli kiinniketyyppi sellaisen sallii.
  - **Heilahtavat putoamiset:** Heilahtava putoaminen aiheutuu siitä, että kiinnityspiste ei ole suoraan putoamispisteen yläpuolella. Heilahtavassa putoamisessa johonkin iskeytymisestä aiheutuva voima voi aiheuttaa vakavan loukkaantumisen (ks. kuva 3). Minimoi heilahtavan putoamisen mahdollisuus työskentelemällä niin suoraan ankkurointipisteen alla kuin mahdollista. Aseta ja / tai säädä pidike aina siten, että kiinnityspiste säilyy vyötärön tasolla tai sen yläpuolella; kaulanauha pidetään kireänä; vapaan liikkuvuuden rajoitus on enintään 0,6 m (1,97 jalkaa).
  - **Vaaratekijät:** Näiden varusteiden käyttö vaarallisissa ympäristöissä saattaa edellyttää ylimääräisiä varotoimia käyttäjän loukkaantumisen tai varusteiden vaurioitumisen estämiseksi. Vaaratekijöitä ovat esimerkiksi korkea lämpötila, syövyttävät kemikaalit tai ympäristöt, korkeajännitelinjat, räjähdysriskit tai myrkylliset kaasut, liikkuvat koneet sekä yläpuolella olevat materiaalit, jotka voivat pudota ja osua käyttäjään tai putoamissuojausjärjestelmään. Vältä työskentelyä paikoissa, joissa turvahihna voi mennä ristiin jonkun toisen työntekijän turvahihnan kanssa tai sotkeutua siihen. Vältä työskentelyä paikoissa, joissa putoavat esineet saattavat osua turvahihnaan ja aiheuttaa tasapainon menetyksen tai turvahihnan vaurioitumisen. Turvahihna ei saa kulkea käsivarsien alta tai jalkojen välistä.

## 2.0 KÄYTTÖ

- 2.1 PUTOAMISSUOJAUS- JA PELASTUSSUUNNITELMA:** Työnantajalla on oltava putoamissuojaus- ja pelastussuunnitelma. Suunnitelman tulee sisältää ohjeistusta ja vaatimuksia työnantajan järjestämä putoamissuojausohjelmaa varten. Tällaisia ohjeistuksia ja vaatimuksia ovat esim. käytännöt, velvollisuudet ja koulutus, putoamissuojaukseen koskevat menettelytavat, putoamisvaarojen eliminointi ja hallinta, pelastustoimenpiteet, onnettomuuksien ja vaaratilanteiden tutkinta sekä ohjelman tehokkuuden arviointi.
- 2.2 TARKASTUSVÄLI:** Työntekijän tulee tarkastaa turvahihna<sup>1</sup> ennen jokaista käyttökertaa. Tarkastuksia tulee lisäksi suorittaa sellaisen pätevän henkilön toimesta<sup>2</sup>, joka ei itse ole kyseisen laitteen käyttäjä. Äärimmäiset työolosuhteet (vaativat ympäristöt, pitkäaikainen käyttö jne.) voivat vaatia tarkastusten suorittamista pätevän henkilön toimesta useammin. Kyseisen pätevän henkilön tulee määrittää asianmukaiset tarkastusvälit. Tarkastustoimet on kuvattu kappaleessa *Tarkastus- ja kunnossapitoloki (taulukko 2)*. Kyseisen pätevän henkilön suorittaman tarkastuksen tulokset tulee kirjata *tarkastus- ja kunnossapitolokiin* tai tallentaa radiotaajuustunnistusjärjestelmään (Radio Frequency Identification, RFID).
- 2.3 KOMPONENTTIEN YHTEENSOPIVUUS:** Ellei toisin mainita, 3M:n laitteet on suunniteltu käytettäväksi ainoastaan 3M:n hyväksymien osien ja alajärjestelmien kanssa. Vaihto tai korvaaminen muilla kuin hyväksytyillä osilla tai alajärjestelmillä saattaa vaarantaa laitteiston yhteensopivuuden sekä vaikuttaa koko järjestelmän turvallisuuteen ja luotettavuuteen.
- 2.4 LIITTIMIEN YHTEENSOPIVUUS:** Liittimiä pidetään yhteensopivina liitettävien osien kanssa, kun ne on suunniteltu toimimaan yhdessä siten, että niiden koko ja muoto eivät aiheuta lukkomekanismien tahatonta aukeamista riippumatta niiden asennosta. Ota yhteyttä 3M:ään, jos sinulla on kysyttävää yhteensopivuudesta. Liittimien (haat, karbiinihaat ja D-renkaat) tulee kestää vähintään 22 kN:n (5 000 lbs) kuorma. Liittimien tulee olla yhteensopivia ankkuroinnin ja muiden järjestelmän osien kanssa. Älä käytä yhteensopimattomia varusteita. Yhteensopimattomat liittimet saattavat irrota vahingossa (katso kuva 4). Liittimien on oltava kooltaan, muodoltaan ja vahvuudeltaan yhteensopivia. Itselukittuvat jousihaat ja karbiinihaat ovat pakollisia. Jos osa, johon jousihaka tai karbiinihaka kiinnitetään, on liian pieni tai epäsäännöllisen muotoinen, on mahdollista, että kiinnitetty osa kohdistaa voimaa jousihaan tai karbiinihaan kitaan (A). Tämä voima saattaa aiheuttaa kidan avautumisen (B) ja päästää jousihaan tai karbiinihaan irtoamaan kiinnityspisteestä (C).

**1 Työntekijä:** Henkilö, jota jokin aktiivinen putoamissuojausjärjestelmä suojaa. Mikäli käytössä on putoamisen pysäyttävä järjestelmä, työntekijä tarkoittaa henkilöä, jolla on mahdollisuus pudota hänen ollessa kiinnitettynä kyseiseen järjestelmään.

**2 Pätevä henkilö:** Työnantajan nimeämä henkilö, jonka vastuulla on työnantajan putoamisenesto-ohjelman välitön johtaminen, täytäntöönpano ja valvonta ja joka koulutuksensa ja tietojensa ansiosta pystyy tunnistamaan, arvioimaan ja ratkaisemaan olemassa olevat ja mahdolliset putoamisvaarat ja jolla on työnantajan valtuutus ryhtyä välittömiin korjaaviin toimiin tällaisten vaaratekijöiden suhteen.

- 2.5 LIITÄNTÖJEN TEKÖ:** Näiden varusteiden kanssa käytettävien jousihakojen ja karbiinihakojen tulee olla itselukittuvia. Varmista, että liittimet ovat yhteensopivia kooltaan, muodoltaan ja lujuudeltaan. Älä käytä yhteensopimattomia varusteita. Varmista, että kaikki liittimet ovat täysin suljettuja ja lukittuja. 3M:n liittimet (jousihaat ja karbiinihaat) on suunniteltu käytettäväksi vain kyseisten tuotteiden käyttöohjeissa kuvatulla tavalla. Kuvassa 5 näkyy esimerkkejä vääristä liitännöistä. Jousihakoa tai karabiineja ei saa kiinnittää:
- A. D-renkaaseen, johon on kiinnitetty toinen liitin.
  - B. siten, että lukitusosaan kohdistuu kuorma. Isoleukaisia jousihakoa ei tule kiinnittää vakiokoon D-renkasiin tai vastaaviin osiin, jotka aiheuttavat kidan kuormittumista, jos haka tai D-rengas kääntyy tai pyörii, ellei jousihaassa ole 16 kN:n (1 633 kg) kita.
  - C. valekiinnityksellä, jossa liitososan liittimien koko tai muoto eivät ole yhteensopivat ja liittimet vaikuttavat täysin kytketyiltä, vaikka asiaa ei voikaan katsomalla vahvistaa
  - D. toisiinsa.
  - E. suoraan punokseen tai köyteen tai ympäröyköyteen (ellei sekä köyden että liittimen valmistajan ohjeissa nimenomaan sallita tällaista liitosta).
  - F. mihin tahansa esineeseen, joka on muodoltaan tai kooltaan sellainen, että säppihaka tai karabiini ei sulkeudu ja lukitu tai että haka voi tippua pois.
  - G. siten, että liitin ei kuormattuna pysty asettumaan oikein.

### 3.0 ASENNUS JA SÄÄDÖT

- 3.1 SUUNNITTELU:** Suunnittele putoamisenestojärjestelmäsi ennen työhön ryhtymistä. Ota huomioon kaikki tekijät, jotka voivat vaikuttaa turvallisuuteen ennen putoamista, sen aikana ja sen jälkeen. Kaikki osiossa 1 luetellut vaatimukset ja rajoitukset tulee ottaa huomioon.
- 3.2 TUKI:** Kiinnitykseen tulee valita sellainen paikka, jossa vapaan putoamisen sekä heilahdusputoamisen vaarat ovat mahdollisimman pieniä (ks. osio 1). Valitse liikkumaton kiinnityspiste, joka kestää osiossa 1 määritetyt staattiset kuormitukset.
- 3.3 KEHON TUKEMISLIITÄNTÄ:** Työasemointi- ja rajoitusköydet: käytä vartalovyötä tai kokovartalovaljaita. Rajoitussovelluksissa kytke turvahihna valjaiden tai vyön asianmukaiseen kiinnitysosaan (D-rengas). Katso turvahihnasi mukana tulleesta oppaasta ohjeet muihin putoamissuojaussovelluksiin ja suositeltuihin kiinnityksiin.
- 3.4 LIITÄNTÄ TYÖASEMOINTITURVAHIHNAAN:** Varmista liitännän aikana, ettei ulosliukumista voi tapahtua. (ks. osio 2.5 "Liitännät") Ulosliukuminen voi tapahtua, jos haan ja kiinnikkeen välissä oleva este aiheuttaa haan kidan tahattoman avautumisen ja irtoamisen.

- VAIHE 1:** Kiinnitä lukitseva köysitukiliitin (ks. kuva 1) käyttäjän vartalovyössä tai kokovartalovaljaisissa olevan D-renkaan vasemmalle tai oikealle puolelle.
- VAIHE 2:** Aseta turvahihna jonkin sellaisen vakaan kiinnityskohdan ympärille, joka kestää vähintään 12 kN (2 698 lb) kuorman. Varmista, että turvahihna on kiinnitetty siten, ettei se voi liukua alas tai ohittaa kiinnityspistettä.
- VAIHE 3:** Kiinnitä turvahihnan vartaloliitin (ks. kuva 1) vastakkaisen puolen D-renkaaseen. Kun liitäntä on paikoillaan, jousi- tai karbiinihaan kita tulee osoittaa ulospäin ja pois päin käyttäjästä.
- VAIHE 4:** Köyttä lyhennetään vetämällä vartaloliitintä suoraan kohti kiinnityspistettä. (kuva 6)
- VAIHE 5:** Anna köyden kulkea säätimen läpi nojaamalla samanaikaisesti taaksepäin. Vapauta säädin, kun se on halutussa kohdassa. (kuva 7)
- VAIHE 6:** Varmista, että kiinnityskohta on vakaa ja että liitännät ja köyden säätö ovat oikein:
- kiinnityskohdan riittävä lujuus
  - jousihaka ja karbiinihaka kiinnitetty oikein kokovartalovaljaisiin tai vartalovyöhön
  - turvahihna ei voi liukua alas tai ohittaa kiinnityspistettä
  - turvahihnan kireys on oikea.

Jousi- tai karbiinihakaa ei saa käyttää köyden sitomiseen. Molemmat liittimet tulee olla liitettyinä asiaankuuluvien puoltien D-renkasiin. Säädettävää työasemointiturvahihnaa ei saa koskaan käyttää siten, että vain yksi liitin on kiinnitetty kokovartalovaljaisiin.

### 4.0 KÄYTTÖ

a turvahihnaa ensi kertaa käyttävien ja kokemattomien käyttäjien tulee lukea turvallisuustiedot tämän käyttöoppaan alusta ennen turvahihnan käyttöä.

- 4.1 TYÖNTEKIJÄN TARKASTUS:** Ennen jokaista käyttökertaa tutki turvahihna tarkastusluettelon mukaisesti, joka löytyy tarkastus- ja kunnossapitolokista (taulukko 2). Jos tarkastuksessa huomataan jokin vaaratekijä tai merkkejä siitä, että turvahihna on vahingoittunut tai altistettu putoamisvoimille, tulee turvahihna poistaa käytöstä ja hävittää.
- 4.2 TOIMINTA:** Kiinnitä aina ensin turvahihnan vartaloa tukeva pää kokovartalovaljaisiin tai vartalovyöhön ja kiinnitä sitten toinen pää soveltuvaan kiinnityspisteeseen. Minimoi aina turvahihnan löysyys putoamisvaaran läheisyydessä toimimalla niin lähellä kiinnityspistettä kuin mahdollista. Katso osasta 3 tarkemmat tiedot liitännöistä vartalotukeen ja kiinnityspisteeseen. Tarkista säännöllisesti kiinnitys- ja / tai säätöelementit käytön aikana.
- 4.3 PUTOAMISEN JÄLKEEN:** Kaikki turvahihnat, jotka ovat altistuneet putoamisen pysäyttämisen voimalle tai joissa on asennus- ja kunnossapitolokissa (taulukko 2) kuvattuja putoamisen pysäyttämisen voiman aiheuttamia vaurioita, tulee poistaa käytöstä välittömästi ja hävittää.

## 5.0 TARKASTUS

**5.1 TARKASTUSVÄLI:** turvahihna tulee tarkastaa kohdassa 2 annettujen tarkastusvälien mukaisesti. Tarkastustoimet on kuvattu kappaleessa "Tarkastus- ja kunnossapitoloki" (taulukko 2).

Äärimmäiset työolosuhteet (vaativat ympäristöt, pitkäaikainen käyttö jne.) voivat vaatia tarkastusten suorittamista useammin.

**5.2 VAARALLISET TAI VIALLISET OLOSUHTEET:** Jos tarkastuksessa ilmenee jokin vaaratekijä tai vaurioita, tulee kyseinen turvaköysi poistaa käytöstä välittömästi ja hävittää, jotta sitä ei vahingossa käytettäisi. Turvaköysiä ei voi korjata.

**5.3 TUOTTEEN KÄYTTÖIKÄ:** 3M turvahihnan käyttöikä määräytyy käyttöolosuhteiden ja kunnossapidon mukaan. Enimmäiskäyttöikä vaihtelee; käyttöikä saattaa olla vuosi, mikäli käyttö on kuluttavaa ja tapahtuu ääriolosuhteissa tai jopa kymmenen vuotta, mikäli käyttö tapahtuu olosuhteissa, jotka eivät ole vaativia. Niin kauan kuin tuote läpäisee tarkastuskriteerit, voidaan sitä käyttää enintään 10 vuoden ajan.

## 6.0 HUOLTO, YLLÄPITO ja SÄILYTYS

Turvahihnoja saa puhdistaa tai desinfioida vain seuraavissa puhdistusohjeissa selitetyillä tavoilla. Muut menetelmät saattavat vahingoittaa turvahihnoja tai käyttäjää.

**6.1 PUHDISTUS:** turvahihna puhdistetaan seuraavasti:

- Turvahihnan ulkopinta tulee puhdistaa säännöllisesti vedellä ja miedolla saippualliuoksella. Käytetyn veden lämpötila ei saa ylittää 40 °C. Aseta turvahihna niin, että liika vesi valuu pois. Älä pese kemiallisesti. Älä silitä. Puhdista merkinnät tarpeen mukaan.
- Huuhtelee ja anna kuivua täysin. Älä kuivaa kuumentamalla.

Käytä turvahihnojen puhdistamiseen valkaisuaineetonta puhdistusainetta. Kankaan pehmenysainetta tai pehmenysarkkeja EI TULE käyttää turvahihnoja puhdistettaessa ja kuivatessa.

**6.2 HUOLTO:** Turvaköysiä ei voi korjata. Mikäli turvahihnaan on kohdistunut putoamisvoima tai mikäli tarkastuksessa ilmenee jokin vaaratekijä tai vika, tulee turvahihna poistaa käytöstä ja hävittää.

**6.3 KULJETUS/SÄILYTYS:** Turvahihnoja tulee säilyttää viileässä, kuivassa ja puhtaassa paikassa suorilta auringonvalolta suojattuna. Myös kuljetuksen tulee tapahtua samanlaisissa olosuhteissa. Vältä alueita, joilla saattaa esiintyä kemiallisia höyryjä. Turvahihna tulee aina tarkistaa perinpohjaisesti pitkäaikaisen varastoinnin jälkeen.

## 7.0 MERKINNÄT

Kuva 8 osoittaa jen turvahihnojen merkinnät ja niiden sijainnit. Kaikkien turvahihnan merkintöjen tulee olla kiinnitettyinä - ks. kuva 1. Kaikissa merkinnöissä on seuraavat tiedot:

Ks. kuva 8.	Kuvaus:
①	Mallinumero
②	Sarjanumero
③	Eränumero
④	Valmistajan osoite
⑤	Ks. ohjeet
⑥	Eurooppalainen standardi
⑦	CE-merkintä
⑧	Tyypinmukaisuustarkastuksen suorittavan ilmoitetun laitoksen numero
⑨	Pituus
⑩	Valmistuskuukausi
⑪	Valmistusvuosi
⑫	Valmistajan Web-osoite
⑬	Köyden halkaisija
⑭	Kapasiteetti





## CONSIGNES DE SÉCURITÉ

**Veillez lire, comprendre et suivre toutes les consignes de sécurité contenues dans ces instructions avant d'utiliser cette longe de positionnement/retenu de progression. LE NON RESPECT DE CES INSTRUCTIONS PEUT CAUSER DES BLESSURES GRAVES OU LA MORT.**

**Ces instructions doivent être transmises à l'utilisateur de cet équipement. Conservez ces instructions pour vous y référer ultérieurement.**

### Utilisation prévue :

Cette longe de positionnement/retenu de progression est conçue pour être utilisée comme élément d'un système antichute individuel complet. Les longes de positionnement/retenu de progression sont utilisées pour éviter que l'utilisateur ne soit exposé à/en présence d'un risque de chute.

Toute utilisation pour d'autres applications, y compris, mais sans s'y limiter, la manutention de matériaux, des activités de loisirs ou sportives, ou d'autres activités non décrites dans les instructions d'utilisateurs, n'est pas approuvée par 3M et pourrait entraîner des blessures graves ou mortelles.

Ce dispositif ne doit être utilisé que par des utilisateurs formés pour des applications sur le lieu de travail.

## AVERTISSEMENT

Cette longe de positionnement/retenu de progression fait partie d'un système antichute individuel complet. Tous les utilisateurs doivent être solidement formés à l'installation et au fonctionnement sécurisés de leur système antichute individuel. **Une mauvaise utilisation de ce dispositif pourrait entraîner des blessures graves ou être mortelle** Pour ne faire aucune erreur dans la sélection, le fonctionnement, l'installation, la maintenance et l'entretien, suivez ces instructions d'utilisateur et toutes les recommandations du fabricant, consultez un superviseur ou contactez le service technique 3M.

- **Pour réduire les risques associés au travail avec une longe de positionnement/retenu de progression qui, en l'absence de protection, pourraient entraîner des blessures graves ou mortelles :**
  - Utilisez ce dispositif uniquement à des fins de positionnement ou dans des applications de retenue de progression. Les longes de positionnement doivent être configurées pour limiter la distance de chute libre à environ 61 cm ou moins et minimiser les chutes balancées. Les longes de retenue de progression doivent éviter que l'utilisateur ne soit exposé à un risque de chute.
  - N'utilisez jamais cette longe (c-à-d., une longe qui n'absorbe pas d'énergie) comme système antichute principal.
  - Inspectez le dispositif avant chaque utilisation, au moins une fois par an, et après chaque chute. Procédez à l'inspection conformément aux instructions d'utilisation.
  - Si l'inspection fait apparaître un défaut ou un danger, mettez immédiatement le dispositif hors service et détruisez-le.
  - Si le dispositif a été soumis à des forces d'arrêt de chute ou d'impact, il doit être immédiatement mis hors service. Consultez les instructions d'utilisateur ou contactez le service de protection antichute 3M.
  - Veillez à ce que tous les sous-systèmes de raccordement (p. ex., les longes) soient exempts de tout danger incluant, mais non limité à, l'enchevêtrement avec d'autres travailleurs, vous-même, des machines en mouvement ou d'autres objets à proximité.
  - Veillez à assurer une protection adéquate contre les arêtes si la ligne de vie risque d'entrer en contact avec des arêtes vives ou des coins.
  - Veillez à ce que le dispositif soit capelé correctement pour l'usage prévu.
  - Attachez la ou les patte(s) inutilisée(s) de la longe au(x) système(s) de fixation du harnais s'il en dispose.
  - Ne faites aucun lien ni nœud avec la longe.
  - Ne dépassez pas le nombre d'utilisateurs autorisés.
  - Assurez-vous que les systèmes/sous-systèmes antichute créés avec des composants provenant de divers fabricants sont compatibles et respectent les exigences des normes applicables, y compris la norme ANSI Z359 ou d'autres codes, normes ou contraintes de protection contre les chutes. Consultez systématiquement une personne compétente ou qualifiée avant l'utilisation de ces systèmes.
- **Pour réduire les risques associés au travail en hauteur qui, faute de protection, peuvent entraîner des blessures graves ou mortelles :**
  - Assurez-vous que votre santé et votre condition physique vous permettent de supporter en toute sécurité les forces associées au travail en hauteur. Consultez votre médecin si vous avez des questions concernant votre aptitude à utiliser cet équipement.
  - Ne dépassez jamais les limites autorisées pour votre équipement antichute.
  - Ne dépassez jamais la distance de chute libre maximale de votre équipement antichute.
  - N'utilisez aucun équipement antichute qui n'a pas satisfait aux inspections avant utilisation ou aux autres inspections programmées, ou si vous avez des préoccupations concernant l'utilisation ou la compatibilité de l'équipement avec votre application. Contactez les services techniques de 3M si vous avez des questions.
  - Certaines combinaisons de sous-systèmes et de composants peuvent gêner le fonctionnement de cet équipement. Utilisez uniquement des raccordements compatibles. Consultez 3M avant d'utiliser cet équipement conjointement avec des composants ou des sous-systèmes autres que ceux décrits dans les instructions d'utilisation.
  - Soyez particulièrement vigilant(e) lorsque vous travaillez autour des machines en mouvement (par exemple, les mécanismes d'entraînement par le haut des plates-formes pétrolières), en cas de risques électriques, de températures extrêmes, de risques chimiques, en présence de gaz explosifs ou toxiques, d'arêtes vives, ou de matériaux suspendus pouvant chuter sur vous ou sur l'équipement.
  - Utilisez des dispositifs de protection contre les arcs électriques ou conçus pour le travail à température élevée dans les environnements à chaleur intense.
  - Évitez les surfaces et les objets qui peuvent endommager l'utilisateur ou l'équipement.
  - Vérifiez que vous disposez d'une distance d'arrêt adaptée lorsque vous travaillez en hauteur.
  - Ne modifiez ni n'altérez jamais votre équipement antichute. Seul 3M ou les parties agréées par écrit par 3M peuvent réparer cet équipement.
  - Avant l'utilisation d'un équipement antichute, vérifiez qu'un plan de sauvetage est mis en place et qu'il permettra d'effectuer un sauvetage rapide si une chute se produit.
  - En cas de chute, faites immédiatement intervenir un médecin auprès du travailleur qui est tombé.
  - N'utilisez pas de ceinture de travail pour les applications de prévention des chutes. Utilisez uniquement un harnais intégral.
  - Réduisez le risque d'effets pendulaires en travaillant autant que possible directement sous le point d'ancrage.
  - Lors de la formation à l'utilisation de ce dispositif, vous devez utiliser un système antichute secondaire afin de ne pas exposer la personne formée à un risque de chute involontaire.
  - Portez toujours un équipement de protection individuelle approprié lors de l'installation, de l'utilisation ou de l'examen du dispositif/système.

avant d'utiliser cet équipement, enregistrez les informations d'identification du produit (voir Figure 8) dans le tableau 2 du « Journal d'inspection et d'entretien » au dos du présent manuel.

Assurez-vous toujours que vous utilisez la dernière version de votre manuel d'utilisation 3M. Visitez le site Web de 3M ou contactez le service technique 3Mr manuels d'instructions mis à jour.

## DESCRIPTION

La longe 3M™ Protecta® TRIGGER™ réglable est conçue pour être utilisée dans le cadre d'un dispositif de positionnement individuel au travail. Les systèmes de positionnement au travail comprennent généralement un harnais intégral ou une ceinture de travail, une longe de positionnement et un équipement de protection individuelle antichute de secours. Le système de réglage offre la possibilité de régler facilement la longueur de la longe pendant l'utilisation. Cet équipement ne convient pas comme antichute et il est nécessaire d'accompagner ce dispositif de positionnement avec des mesures collectives (par ex., filets de sécurité) ou des mesures personnelles de protection (par ex., dispositif antichute) contre les chutes depuis un poste de travail situé en hauteur.

La figure 1 indique la longe ajustable de positionnement pour le travail présentée dans le présent manuel d'instruction. Différents modèles sont disponibles offrant diverses combinaisons des caractéristiques suivantes :

**Tableau 1 – Spécifications**

<b>SPÉCIFICATIONS DES COMPOSANTS</b>		
<b>Figure 1, référence :</b>		<b>Description :</b>
<b>Connecteur au harnais</b>	①	Dispositif réducteur de longe Trigger™
	②	AJ514/0
	③	AJ572/0
	④	AJ501/0
<b>Connecteur de soutien du câble</b>	⑤	AJ523/0
	⑥	20LF
	⑦	AJ565/0
	⑧	AJ595/0
<b>Cordes</b>	⑨	Corde statique - 10,5 mm (0,41 in.)
<b>Autres caractéristiques</b>	⑩	Coulisseau doté d'une protection résistante à l'abrasion
<b>Extrémité de la corde</b>	⑪	Nœud simple à l'extrémité de la corde
<b>Étiquettes</b>	⑫	Étiquettes

## CARACTÉRISTIQUES DU SYSTÈME

### Performance :

LY	Longueur de la longe (voir la figure 1).
Capacité :	1 personne au poids combiné (vêtements, outils, etc.) de : 140 kg (309 lbf) maximum
Température de service :	Minimum : -35 °C (-31 °F) Maximum : +57 °C (135 °F)

### Matériaux :

Composant du dispositif du maintien du corps :	Acier inoxydable, alliage à base d'acier, alliage d'aluminium et caoutchouc – Résistance à la traction de 22 kN (2 240 kg, 4 946 lbf)
Mousquetons :	Alliage d'acier, Aluminium, Acier inoxydable - 22 kN (4 946 lbf) Minimum Résistance à la traction
Crochets:	Acier, acier inoxydable et galvanisé ou chromé - Résistance à la traction de 22 kN (2 240 kg, 4 946 lbf)
Des cordes:	Nylon - 22 kN (4 946 lbf) Résistance à la traction
Couvertures de corde:	Polyester, Nylon

## 1.0 APPLICATIONS

- 1.1 OBJECTIF :** les longes sont conçues pour être utilisées comme élément d'un équipement de protection individuelle (voir la figure 2) antichute. Elles peuvent dissiper l'énergie associée à la chute, limiter les forces exercées par la chute sur le corps ou être utilisées comme dispositif de positionnement et de retenue, en fonction de leur type. La Figure 1 représente les modèles de longe couverts par ce manuel d'instructions. Ils peuvent être utilisés dans la plupart des situations nécessitant à la fois la mobilité de l'ouvrier et sa protection contre les chutes (travail d'inspection, constructions diverses, entretien, production pétrolière, travail en espace confiné, etc.).
- 1.2 NORMES :** votre longe est conforme aux normes nationales ou régionales présentées sur la page de couverture des présentes instructions. Reportez-vous aux exigences locales régissant la sécurité au travail pour de plus amples renseignements concernant les dispositifs de protection individuelle antichute. Si ce produit est revendu en dehors du pays de destination d'origine, le revendeur doit fournir ces instructions dans la langue du pays où il sera utilisé.
- 1.3 FORMATION :** ce dispositif doit être utilisé par des personnes formées à sa mise en place et à son utilisation. L'utilisateur est tenu de se familiariser avec ces instructions et de suivre une formation pour entretenir et utiliser correctement les équipements. L'utilisateur doit également connaître les caractéristiques de fonctionnement, les limites d'application et les conséquences d'une utilisation inappropriée de cet équipement.
- 1.4 EXIGENCES :** Vous devez toujours consulter les limites ci-dessous avant d'installer ou d'utiliser cet équipement :
- **Capacité :** les longes sont conçues pour un usage individuel avec un poids combiné (vêtements, outils, etc.) dans la plage de poids spécifiée dans le tableau 1 pour le modèle de longe. Vérifier que tous les éléments de votre système sont compatibles avec une capacité correspondant à l'application requise.
  - **Ancrage :** le matériel d'ancrage choisi pour les dispositifs antichute doit avoir une force capable de soutenir des charges statiques, appliquée dans les directions permises par le dispositif antichute d'au moins :
    - A. 12 kN (2 698 lb) pour les ancrages métalliques ou 18 kN (4 047 lb) pour les ancrages en textile pour les ancrages non certifiés, ou
    - B. qui équivaut à deux fois la force d'arrêt maximale pour les ancrages certifiés.Si autorisé en fonction du type d'ancrage, lorsque plusieurs dispositifs antichute sont raccordés à un matériel d'ancrage, les forces indiquées aux points (1) et (2) ci-dessus doivent être multipliées par le nombre de dispositifs antichute fixés.
  - **Chutes en mouvement pendulaire :** les effets pendulaires se produisent lorsque le point d'ancrage ne se trouve pas directement au-dessus du point de chute. Heurter un objet pendant une chute pendulaire peut causer des blessures graves (voir la figure 3). Réduire les effets pendulaires en travaillant autant que possible directement sous le point d'ancrage. Positionnez et / ou ajustez toujours la longe de manière à ce que le point d'ancrage soit maintenu au niveau ou au-dessus du niveau de la taille; la lanière est tendue; et, la liberté de circulation est limitée à 0,6 m (1,97 ft) au maximum.
  - **Risques :** l'utilisation de cet équipement dans un environnement à risque peut nécessiter des précautions supplémentaires pour réduire le risque de blessure pour l'utilisateur ou de détérioration de l'équipement. Les risques comprennent, mais sans s'y limiter, la chaleur intense, les produits chimiques caustiques, les environnements corrosifs, les lignes à haute tension, les gaz explosifs ou toxiques, les engins en mouvement ou les matériaux situés au-dessus de la tête pouvant tomber et toucher l'utilisateur ou le dispositif antichute. Éviter de travailler dans les endroits où votre longe risque de se croiser ou de s'emmêler avec celle d'un autre ouvrier. Éviter de travailler dans les endroits où des objets peuvent tomber et heurter la longe, entraînant une perte d'équilibre ou une détérioration de la longe. Ne pas laisser la longe passer sous les bras ou entre les jambes.

## 2.0 UTILISATION

- 2.1 PLAN DE PROTECTION ANTICHUTE ET PLAN DE SAUVETAGE :** l'employeur doit avoir un plan de protection antichute et un plan de sauvetage. Le plan doit comprendre des directives et des exigences pour le programme de protection antichute de l'employeur, avec des politiques, des obligations et des formations ; des procédures de protection antichute ; des mesures d'élimination et de contrôle des risques de chute ; des procédures de sauvetage ; des investigations sur les incidents et un programme d'évaluation de l'efficacité.
- 2.2 FRÉQUENCE D'INSPECTION :** les longes seront inspectées par le travailleur<sup>1</sup> avant chaque utilisation. En outre, des inspections doivent être menées par une personne compétente<sup>2</sup> autre que l'utilisateur. Des conditions de travail extrêmes (environnement hostile, utilisation prolongée, etc.) peuvent nécessiter des inspections plus fréquentes par une personne compétente. La personne compétente doit déterminer les intervalles d'inspection appropriés. Les procédures d'inspection sont décrites dans le « *Journal d'inspection et d'entretien* » (Tableau 2). Les résultats de l'inspection par la personne compétente doivent être enregistrés dans le *Journal d'inspection et d'entretien* ou dans le système d'identification par radiofréquence (RFID).
- 2.3 COMPATIBILITÉ DES COMPOSANTS :** sauf indication contraire, l'équipement 3M est destiné à être utilisé uniquement avec des composants et des sous-systèmes agréés. La substitution ou le remplacement de pièces par des composants ou des sous-composants non approuvés peut compromettre la compatibilité de l'équipement et affecter la sécurité et la fiabilité de l'ensemble du système.
- 2.4 COMPATIBILITÉ DES CONNECTEURS :** les connecteurs sont considérés comme compatibles avec les éléments de raccordement lorsqu'ils ont été conçus de sorte que ni leur taille ni leur forme ne provoquent l'ouverture spontanée de leur mécanisme d'ouverture, quelle que soit leur orientation. Pour toute question concernant la compatibilité, contacter 3M. Les connecteurs (connecteurs, mousquetons, D d'accrochage) doivent être capables de supporter au moins 22 kN (5 000 lb). Les connecteurs doivent être compatibles avec l'ancrage ou tout autre composant du dispositif. Ne pas utiliser un équipement non compatible. Les connecteurs non compatibles peuvent se désengager accidentellement (voir figure 4). Les connecteurs doivent être compatibles par leur taille, leur forme et leur résistance. Des mousquetons à verrouillage automatique et des mousquetons sont requis. Si l'élément de raccordement est doté d'un mousqueton trop petit ou de forme irrégulière, il se peut que l'élément de raccordement applique une force sur le mécanisme d'ouverture du mousqueton (A). Cette force pourrait entraîner l'ouverture du mécanisme (B) et provoquer le détachement du mousqueton de son point de raccordement (C).
- 2.5 RACCORDEMENT :** les mousquetons utilisés avec cet équipement doivent être à verrouillage automatique. Assurez-

**1 Travailleur :** toute personne qui est protégée contre les chutes par un système actif de protection antichute ou en cas d'un dispositif antichute, une personne pouvant faire une chute tout en étant attachée au système.

**2 Personne compétente :** une personne désignée par l'employeur comme responsable de la supervision immédiate, de la mise en œuvre et de la surveillance du programme de protection antichute de l'employeur. Grâce à sa formation et à ses connaissances, cette personne est capable de détecter, d'évaluer et de calculer les risques éventuels de chute. Enfin, l'employeur autorise cette personne à prendre des mesures correctrices en cas de problème.

vous que tous les connecteurs sont compatibles en termes de taille, forme et force. Ne pas utiliser un équipement non compatible. Vérifier que tous les connecteurs sont bien fermés et verrouillés. Les connecteurs 3M (mousquetons) sont destinés à être utilisés uniquement selon les instructions de chacun des produits. La figure 5 montre quelques exemples de raccords inappropriés. Ne pas raccorder les mousquetons :

- A. à un D d'accrochage auquel un autre connecteur est attaché ;
- B. d'une manière qui provoquerait une charge sur l'ouverture. Les crochets à ressort à grande ouverture ne doivent pas être raccordés à des D d'accrochage de taille standard ou à des objets similaires qui provoqueraient une charge sur l'ouverture si le connecteur ou le D d'accrochage venait à se tordre ou à tourner, sauf si le crochet du mousqueton est équipé d'une ouverture de 16 kN (1 632,93 kg, 3 600 lb).
- C. en cas de faux raccord, lorsque la taille et la forme des connecteurs homologues ne sont pas compatibles et, en l'absence d'une confirmation visuelle, les connecteurs semblent totalement engagés ;
- D. l'un à l'autre ;
- E. directement à des sangles, à une longe ou à un point d'ancrage (à moins que les instructions du fabricant pour la longe et le connecteur n'autorisent spécifiquement ce type de raccordement) ;
- F. à un objet ayant une forme ou une dimension empêchant la fermeture et le verrouillage du mousqueton, ou risquant de provoquer un désengagement ;
- G. d'une manière qui ne permet pas le bon alignement du connecteur lorsqu'il est sous charge.

### 3.0 INSTALLATION ET AJUSTEMENT

- 3.1 PLANIFICATION :** Préparer le système antichute avant de commencer à travailler. Prendre en compte tous les facteurs qui pourraient affecter la sécurité avant, pendant et après une chute. Prendre en considération toutes les caractéristiques et limites définies dans la section 1.
- 3.2 ANCRAGE :** Sélectionner un point d'ancrage impliquant le plus petit risque possible de chute libre ou d'effet pendulaire (voir la Section 1). Choisir un point d'ancrage rigide capable de supporter les charges statiques définies dans la Section 1.
- 3.3 CONNEXION DU SUPPORT DU CORPS :** La Figure 8 montre les connexions du système pour les applications habituelles de positionnement de retenue / de travail. Connecter toujours l'extrémité de la longe de support du corps au harnais intégral ou à la ceinture de travail en premier, puis connecter l'extrémité de la jambe à l'ancrage adéquat. Essayer toujours de réduire au maximum le mou sur la longe à proximité d'un risque de chute en procédant au fonctionnement aussi près que possible de l'ancrage. Voir la Section 3 pour des détails concernant le support du corps et la connexion d'ancrage.
- 3.4 SE CONNECTER À LA LONGE DE POSITIONNEMENT DE TRAVAIL :** Lors du raccordement, s'assurer qu'un décrochage ne peut pas avoir lieu. (voir la section 2.5 « Raccordements ».) Les décrochages peuvent avoir lieu en cas d'interférence entre le mousqueton et le connecteur correspondant provoquant l'ouverture accidentelle du mousqueton.

**ÉTAPE 1 :** Raccorder le connecteur de soutien du câble de verrouillage (voir la figure 1) sur le D d'accrochage du côté gauche ou droit de la ceinture de travail de l'opérateur ou du harnais intégral.

**ÉTAPE 2 :** Enrouler la longe autour d'un ancrage sécurisé qui est capable de soutenir des charges de 12 kN (2 698 lb) ou plus. Vérifier que la longe est sécurisée de sorte qu'elle ne puisse pas glisser au-delà du point d'ancrage.

**ÉTAPE 3 :** Raccorder la longe du connecteur du harnais (voir la figure 1) au D d'accrochage du côté opposé. Lorsqu'il est raccordé, le mousqueton ou la clavette du mousqueton doit être orienté vers l'extérieur et loin de l'utilisateur.

**ÉTAPE 4 :** Pour raccourcir la corde, tirer la queue directement vers le point d'ancrage. (Figure 6)

**ÉTAPE 5 :** Laisser la corde passer à travers l'ajusteur tout en se penchant en arrière. Relâcher l'ajusteur lorsque celui-ci se trouve dans la position souhaitée. (Figure 7)

**ÉTAPE 6 :** Vérifier la sécurité de l'ancrage, les raccordements appropriés et le réducteur de longe :

- Résistance appropriée de l'ancrage.
- Mousqueton et clavette de mousqueton raccordés de manière appropriée au harnais intégral ou à la ceinture de travail.
- La longe ne peut pas glisser vers le bas ou au-delà du point d'ancrage.
- La longe est tendue correctement.

*Ne pas utiliser un mousqueton pour raccrocher la longe. Les deux connecteurs doivent être raccordés aux D d'accrochage du côté approprié. Ne jamais utiliser la longe de positionnement pour le travail avec un seul connecteur fixé au harnais intégral.*

### 4.0 FONCTIONNEMENT

*Les nouveaux utilisateurs ou les utilisateurs irréguliers des longes (Longes) doivent examiner les « Informations de sécurité » au début de ce manuel avant toute utilisation de la longe.*

- 4.1 INSPECTION DE L'OUVRIER :** Avant chaque utilisation, inspecter la longe conformément à la liste de contrôle d'inspection dans le *Journal d'inspection et d'entretien (Tableau 2)*. Si l'inspection indique un état dangereux ou que la longe a été sujette à des dommages ou forces exercées par une chute, la longe doit être retirée du service et détruite.
- 4.2 FONCTIONNEMENT :** Connecter toujours l'extrémité de la longe de support du corps au harnais intégral ou à la ceinture de travail en premier, puis connecter l'extrémité de la jambe à l'ancrage adéquat. Essayer toujours de réduire au maximum le mou sur la longe à proximité d'un risque de chute en procédant au fonctionnement aussi près que possible de l'ancrage. Voir la Section 3 pour des détails concernant le support du corps et la connexion d'ancrage. Vérifiez régulièrement les éléments de fixation et / ou de réglage pendant l'utilisation.
- 4.3 APRÈS UNE CHUTE :** Toute longe ayant été soumise aux forces d'arrêt d'une chute ou qui présente des signes de détérioration correspondant aux effets des forces d'impact décrits dans le *Journal d'installation et d'entretien (Tableau 2)* doit être immédiatement mise hors service et détruite.

## 5.0 INSPECTION

**5.1 FRÉQUENCE D'INSPECTION :** La longe doit être inspectée aux intervalles définis à la Section 2. Les procédures d'inspection sont décrites dans le « *Journal d'inspection et d'entretien* » (Tableau 2).

Des conditions de travail extrêmes (environnements hostiles, utilisation prolongée, etc.) peuvent nécessiter des inspections plus fréquentes.

**5.2 ÉTAT DANGEREUX OU DÉFECTUEUX :** Si l'inspection effectuée fait apparaître un défaut ou un danger, retirer immédiatement la longe du service et la détruire afin d'éviter tout risque de réutilisation par inadvertance. Les longes ne sont pas réparables.

**5.3 DURÉE DE VIE DU PRODUIT :** La durée de vie fonctionnelle des longes 3M est déterminée par les conditions de travail et l'entretien. La durée de vie maximum peut aller de 1 an pour une utilisation intensive dans des conditions extrêmes à 10 ans dans des conditions d'utilisation peu intensives à normales. Le produit peut rester en service jusqu'à un maximum de 10 ans tant qu'il répond aux critères d'inspection.

## 6.0 ENTRETIEN, RÉVISION ET STOCKAGE

Ne pas nettoyer ni désinfecter les longes à l'aide de toute méthode autre que celle indiquée dans les « *Instructions d'entretien* » suivantes. D'autres méthodes pourraient avoir des effets néfastes sur les longes ou l'utilisateur.

**6.1 NETTOYAGE :** Les procédures de nettoyage pour la longe sont les suivantes :

- Nettoyer périodiquement l'extérieur de la longe avec de l'eau et un détergent doux. La température de l'eau ne doit pas dépasser 40 °C (104 °F). Positionner la longe de façon à ce que l'eau puisse s'écouler. Ne pas nettoyer à sec. Ne pas repasser. Nettoyer les étiquettes si nécessaire.
- Rincer et faire sécher à l'air libre. Ne pas faire sécher à l'aide d'une source de chaleur.

Utiliser un détergent sans javel pour nettoyer les longes. Veiller à NE PAS utiliser d'adoucissant ni de lingettes assouplissantes pour nettoyer et sécher les longes

**6.2 RÉVISION :** Les longes ne sont pas réparables. Si la longe a été soumise à des dommages ou à une force antichute, ou si l'inspection révèle un état dangereux ou défectueux, mettre la longe hors service et la jeter.

**6.3 STOCKAGE/TRANSPORT :** Transporter et ranger les longes dans un endroit frais, propre, sec et à l'abri de la lumière directe du soleil. Éviter les endroits pouvant contenir des vapeurs chimiques. Inspecter soigneusement la longe après toute période de stockage prolongée.

## 7.0 ÉTIQUETTES

La Figure 8 présente les étiquettes se trouvant sur les longes, ainsi que leurs emplacements. Toutes les étiquettes doivent être présentes sur la longe voir la figure 1.

Les informations présentes sur chaque étiquette sont les suivantes :

Se reporter à la figure 8 :	Description
①	Numéro de modèle
②	Numéro de série
③	Numéro de lot
④	Adresse du fabricant
⑤	Voir instructions
⑥	Norme européenne
⑦	Marquage CE
⑧	Numéro de l'organisme notifié vérifiant la conformité au type
⑨	Longueur
⑩	Mois de fabrication
⑪	Année de fabrication
⑫	Adresse Web du fabricant
⑬	Diamètre de corde
⑭	Capacité



לפני השימוש בחבל אבטחה למיקום בעבודה/בליימת נסיעה, עליך לקרוא ולהבין את כל מידע הבטיחות הכלול בהוראות אלו ולפעול על פיו. אם לא תעשה כן, התוצאה עלולה להיות פציעה חמורה או מוות.

יש למסור הוראות אלה למשתמש בציוד זה. יש לשמור את ההוראות הללו לצורך עיון בעתיד.

## השימוש המיועד:

חבל אבטחה למיקום בעבודה/בליימת נסיעה זה נועד לשימוש כחלק ממערכת הגנה שלמה מפני נפילות. חבלי אבטחה למיקום בעבודה/בליימת נסיעה משמשים כדי למנוע מהמשתמש להגיע לסכנת נפילה או להיחשף אליה.

השימוש לכל מטרה אחרת כולל, בין היתר, שינוע חומרים, פעילויות הקשורות לפנאי או לספורט או פעילויות אחרות שאינן מתוארות בהוראות למשתמש, אינו מאושר על ידי 3M ועלול להוביל לפציעה קשה או מוות.

השימוש בהתקן זה מותר רק למשתמשים שעברו הדרכה לגבי יישומים במקומות העבודה.

## אזהרה

חבל אבטחה זה למיקום בעבודה/בליימת נסיעה נועד לשימוש כחלק ממערכת הגנה שלמה מפני נפילות. כל המשתמשים נדרשים לעבור הדרכה מלאה בהרכבה ובתפעול בטיחותיים של המערכת האישית לבליימת נפילה שבה הם משתמשים. **שימוש לא נכון בהתקן זה עלול להוביל לפציעה קשה או למוות.** לצורך בחירה, תפעול, הרכבה, תחזוקה ושירות נכונים יש לעיין בהוראות אלה למשתמש ובכל המלצות היצרן, לפנות לממונה עליך או ליצור קשר עם מחלקת השירות הטכני של 3M.

### • לצמצום הסיכונים הקשורים בעבודה עם חבל אבטחה למיקום בעבודה/בליימת נסיעה, שאם לא יימנעו עלולים להוביל לפציעה קשה או למוות:

- השתמש בהתקן זה רק למיקום בעבודה או ביישומי בליימת נסיעה. יש להתקין את חבלי האבטחה למיקום בעבודה כך שיגבילו את מרחק הנפילה ל-60" או פחות ולמזעור נפילה בתנופה. חבלי אבטחה לבליימת נסיעה חייבים למנוע מהמשתמש להגיע לסכנת נפילה או להיחשף אליה.
- לעולם אין להשתמש בחבל אבטחה זה (כלומר, חבל אבטחה שאינו סופג אנרגיה) כהתקן בליימת נפילה ראשי.
- יש לבדוק את ההתקן לפני כל שימוש, לפחות פעם בשנה, ולאחר כל אירוע של נפילה. יש לבצע את הבדיקה על פי ההוראות למשתמש.
- אם מתגלים בבדיקה תנאים לא בטיחותיים או תקלה, יש להוציא את ההתקן משימוש ולהשמיד אותו.
- יש להוציא מיד משימוש כל התקן שנחשף לבליימת נפילה או לכוח בליימה. עיין בהנחיות למשתמש או צור קשר עם 3M Fall Protection.
- יש לוודא שכל תתי-המערכת המחוברות (למשל חבלי אבטחה) חופשיות מכל סיכון כולל, בין היתר, הסתככות עם עובדים אחרים, עם עצמך, עם חלקי מכונות נעים או עם עצמים אחרים שנמצאים בסביבה.
- יש לוודא שימוש בהגנת קצוות הולמת כאשר ה-lifeline עשוי לבוא במגע עם קצוות חדים או פינות חדות.
- יש לוודא שההתקן מכוון בהתאם לשימוש המיועד.
- יש לחבר את רגלי חבל האבטחה שלא נעשה בהן שימוש למחברי החניה של הרתמה, אם קיימים.
- אין לקשור את חבל האבטחה או ליצור בו קשרים.
- אין לעבור על מספר המשתמשים המותר.
- יש לוודא שהמערכת ותתי-המערכת לבליימת נפילה, המורכבות מחלקים המיוצרים על ידי יצרנים שונים, מתאימות זו לזו ועומדות בדרישות של התקנים הישימים, כולל ANSI Z359 או בחוקים, בתקנים ובדרישות האחרים החלים על בליימת נפילה. יש להתייעץ עם אדם מיומן או מוסמך לפני השימוש במערכות אלה.

### • כדי להקטין את הסיכונים הקשורים בעבודה בגובה, שאם לא יימנעו הם עלולים להוביל לפציעה קשה או למוות:

- יש לוודא שבריאיתך ומצבך הגופני מאפשרים לך לעמוד בבטחה בכל הכוחות הקשורים בעבודה בגובה. התייעץ עם הרופא שלך במקרה של שאלות בנוגע ליכולתך להשתמש בציוד זה.
- אסור לחרוג מהקיבולת המותרת של הציוד לבליימת נפילה.
- אסור לחרוג ממרחק הנפילה החופשית המרבי של הציוד לבליימת נפילה.
- אסור להשתמש בציוד לבליימת נפילה שלא עבר בהצלחה בדיקות טרום-שימוש או ביקורות מתוכננות אחרות, או במקרה של חששות הקשורים לשימוש או להתאמת הציוד ליישום שלך. צור קשר עם מחלקת השירות הטכני של 3M בכל שאלה.
- שילובים מסוימים של תתי-מערכות ורכיבים עלולים להפריע לתפעול ציוד זה. השתמש רק בחיבורים מתאימים. יש להתייעץ עם 3M כאשר נעשה שימוש בציוד זה יחד עם רכיבים או תתי-מערכות השונים מאלה המצוינים בהוראות למשתמש.
- יש לנהוג משנה זהירות בעת עבודה בקרבת מכונות נעות (לדוגמה, מגדל המקדחה באסדת קידוח), סיכונים חשמל, טמפרטורות קיצוניות, סיכונים כימיים, גזים נפיצים או רעילים וחפצים חדים או עבודה מתחת לחפצים הממוקמים בגובה העלולים ליפול עליך או על הציוד לבליימת נפילה.
- במהלך עבודה בתנאי טמפרטורה גבוהה במיוחד, יש להשתמש במכשירים שאושרו לעבודות בתנאי חום או בקשת חשמלית.
- יש להימנע ממשטחים ומחפצים העלולים לגרום נזק למשתמש או לציוד.
- ודא שמרווח הנפילה הוא גדול מספיק בזמן עבודה בגובה.
- אסור לבצע שינויים בציוד לבליימת נפילה שלך. 3M בלבד, או גופים שקיבלו ממנה אישור בכתב למטרה זו, רשאים לבצע תיקונים בציוד זה.
- לפני השימוש בציוד לבליימת נפילה, יש להבטיח שקיימת תוכנית חילוץ שמאפשרת לבצע חילוץ מהיר במקרה של אירוע נפילה.
- במקרה של תקרית נפילה, יש לדאוג באופן מיידי למתן טיפול רפואי לעובד שנפל.
- אסור להשתמש בחגורת גוף לשימושים של בליימת נפילה. יש להשתמש ברתמת גוף מלאה בלבד.
- כדי לצמצם ככל האפשר את נפילות הנדנדוד, יש לעבוד עד כמה שניתן הישר מתחת לנקודת העיגון.
- בהדרכה באמצעות ציוד זה יש להשתמש במערכת משנית להגנה בנפילה, כדי שהחניך לא ייחשף לסכנת נפילה בלתי מכוונת.
- יש ללבש תמיד ציוד מגן אישי מתאים במהלך ההרכבה, השימוש או הבדיקה של ההתקן/מערכת.



לפני השימוש בציוד זה, רשום את פרטי הזיהוי של המוצר (ראה איור 8) ב"יומן הבדיקות והתחזוקה", טבלה 2, בצדו האחורי של מדריך זה.

הקפד להשתמש במהדורה האחרונה של מדריך ההוראות של M3. בקר באתר M3 או פנה לשירותים הטכניים של M3 לקבלת מדריכי הוראות מעודכנים.

#### תיאור:

חבל האבטחה 3M™ Protecta® TRIGGER המתכוון נועד לשימוש כחלק ממערכת אישית למיקום בעבודה. מערכות מיקום בעבודה כוללות לרוב רתמת גוף מלאה או חגורת גוף, חבל אבטחה למיקום ומערכת גיבוי אישית לבלימת נפילות. יש למערכת המתכווננת גם את האפשרות לכוון בקלות את אורך חבל האבטחה במהלך השימוש. הציוד אינו מתאים למטרות בלימת נפילה ויש לדאוג לסידורים משלימים למיקום בעבודה באמצעים קולקטיביים (למשל, רשתות בטחון) או אמצעים אישיים (למשל, מערכות בלימת נפילה) להגנה מפני נפילות מגובה.

איור 1 מגדיר את חבל האבטחה הניתן להתאמה למיקום בעבודה המכוסה בהוראה זו. קיימים במלאי דגמים שונים עם מגוון שילובים של המאפיינים הבאים:

### טבלה 1 - מפרט

מפרטי רכיבים		
איור 1 התייחסות:	תיאור:	
מחבר גוף	Trigger התקן התאמת חבל	①
	AJ514/0	②
	AJ572/0	③
	AJ501/0	④
מחבר לתמיכה בחבל	AJ523/0	⑤
	20LF	⑥
	AJ565/0	⑦
	AJ595/0	⑧
חבלים	חבל סטטי - 10,5 מ"מ (0,41 אינץ')	⑨
מאפיין נוסף	שרוול מגן עמיד לשחיקה לחבל	⑩
קצה חבל	קשר פשוט בקצה החבל	⑪
תוויות	תוויות	⑫

#### מפרטי מערכת

ביצועים:	
LY	אורך חבל האבטחה (ראה איור 1).
קיבולת:	אדם אחד במשקל משולב (כולל ביגוד, כלים וכו') של לא יותר מן המשקל הבא: 140 ק"ג (309 ליברות)
טמפרטורת פעולה:	מינימום: -35 מעלות צלזיוס מקסימום: +57 מעלות צלזיוס

#### חומרים:

התקן רכיב גוף:	פלדת אל-חלד, סגסוגת פלדה, סגסוגת אלומיניום וגומי - כוח מתיחה 22 קילו-ניוטון (4946 ליברות)
קרסי קרבינר:	סגסוגת פלדה, אלומיניום פל"ב"מ, - 22 (4 946 lbf) kN מינימום כוח מתיחה
וויים:	פלדה, פלדת אל-חלד, וציפוי אבץ או כרומט - כוח מתיחה 22 קילו-ניוטון (4946 ליברות)
חבלים:	ניילון - 22 (4 946 lbf) kN כוח מתיחה
כיסויים חבלים:	פוליאסטר, ניילון

## 1.0 יישומים

- 1.1 מטרה:** חבלי אבטחה נועדו להיות רכיב במערכת בלימת נפילה אישית (ראה אזור 2). הם יכולים לפזר אנרגיית נפילה, להגביל כוחות נפילה המועברים אל הגוף או לשמש למיקום עבודה וכמעצור, תלוי בסוג שלהם. אזור 1 מגדיר את דגמי חבל האבטחה שמדריך הוראות זה סוקר. ניתן להשתמש בהם ברוב המצבים שבהם נדרש שילוב של ניידות העובד והגנתו מפני נפילה (למשל בביצוע בדיקות, בנייה כללית, עבודת תחזוקה, הפקת נפט, עבודה בחלל סגור וכו').
- 1.2 תקנים:** חבל האבטחה שלך עומד בתקנים הלאומיים או האזוריים המפורטים בכריכה הקדמית של הוראות אלה. עיין בדרישות המקומיות לקביעת בטיחות בעבודה למידע נוסף לגבי הגנה אישית מנפילה. אם מוצר זה נמכר בשנית מחוץ למדינת היעד המקורית, המוכר חייב לספק הוראות אלה בשפת המדינה שבה ייעשה שימוש במוצר.
- 1.3 הדרכה:** ההתקנה והשימוש בצידוד זה נועדו להתבצע ע"י אנשים שעברו הכשרה ביישום ושימוש נכון בצידוד. באחריות המשתמש להכיר הוראות אלה, ולדאוג להכשרתו לטיפול ושימוש נכון בצידוד זה. בנוסף, על המשתמשים להיות מודעים לתכונות התפעוליות, למגבלות היישום ולהשלכות של שימוש לא נכון.
- 1.4 דרישות:** בעת התקנת הצידוד ושימוש בו, תמיד יש להביא בחשבון את המגבלות הבאות:
- **קיבולת:** חבלי האבטחה הם לשימוש על-ידי אדם אחד עם משקל משולב (ביגוד, כלים וכו') הנמצא בטווח המשקל המפורט טבלה 1 עבור דגם חבל האבטחה. יש לוודא כי כל הרכיבים במערכת הם בעלי דירוג קיבולת מתאים ליישום הדרוש.
  - **עיגון:** העיגונים שנבחרו למערכות בלימת נפילה חייבים להיות מסוגלים לעמוד בעומס סטטי המופעל בכיוונים המותרים על ידי כלל המערכת של לפחות:
    - A 12 קילו-ניוטון עבור עוגני מתכת או 18 קילו-ניוטון עבור עוגני בד עבור עיגונים לא מאושרים, או
    - B פעמיים כוח הבלימה המקסימלי לעיגונים מאושרים.
- אם הדבר מותר בהתבסס על סוג העוגן, כאשר יותר ממערכת בלימת נפילה אחת מחוברת לעיגון, החוזקים שפורטו ב-(1) ו-(2) לעיל יוכלו במספר המערכות המחוברות לעיגון.
- **נפילות נדונות:** נפילת נדונות מתרחשת כאשר נקודת העיגון אינה מצויה הישר מעל הנקודה שבה מתרחשת הנפילה. בנפילת נדונות, כוח הפגיעה בעצמים עלול לגרום לפגיעה חמורה (ראה אזור 3). כדי לצמצם ככל האפשר את נפילות הנדונות, יש לעבוד היישר מתחת לנקודת העיגון. תמיד למקם ו / או להתאים את שרוך באופן כזה כי נקודת אנקורג' נשמרת ברמה המותניים או מעל; השרוך מתוח. ו, תנועה חופשית מוגבלת למקסימום של 0,6 מ' (1,97 רגל).
  - **גורמי סיכון:** שימוש בצידוד זה באזורים שעלולים להימצא סביבם גורמי סיכון עשוי לדרוש אמצעי זהירות נוספים להפחתת הסיכוי לפגיעה במשתמש או לנזק לצידוד. בין גורמי הסיכון נכללים, בין השאר, טמפרטורה גבוהה, כימיקלים משתכים, סביבות חומציות, קווי מתח גבוה, גזים נפיצים או רעילים, מכוונות נעות או חומרים הנמצאים בגובה ועשויים ליפול ולפגוע במשתמש או במערכת בלימת הנפילה. הימנע מעבודה במקום שבו חבל האבטחה שלך עשוי להצטלב עם חבל הצלה של עובד אחר או להסתבר בו. הימנע מעבודה במקום שבו חפץ עשוי ליפול ולפגוע בחבל האבטחה, וליצור סיכון לאובדן איוון עקב נזק לחבל האבטחה. אין לאפשר לחבל האבטחה לעבור מתחת לזרועות או בין הרגליים.

## 2.0 שימוש

- 2.1 הגנה מנפילה ותכנית חילוץ:** המעסיק חייב לעשות שימוש בהגנה מנפילה ותכנית חילוץ. על התכנית לספק הנחיות ודרישות לתכנית ההגנה מנפילות המנוהלות על ידי המעסיק, לרבות מדיניות, חובות והכשרה; הליכי הגנה מנפילה; נטרול ובקרה על סכנות נפילה; הליכי חילוץ; חקירות תקרית; והערכת יעילות התכנית.
- 2.2 תדירות הבדיקות:** חבלי האבטחה ייבדקו על ידי העובד<sup>1</sup> לפני כל שימוש. בנוסף לכך, ייערכו בדיקות על ידי גורם מוסמך לכך<sup>2</sup> שאינו המשתמש. תנאי עבודה קיצוניים (סביבה קשה, שימוש ממושך וכו') עשויים להצריך בדיקות תדירות יותר על ידי גורם מוסמך. האדם המוסמך יקבע את מרווחי הבדיקה המתאימים. נהלי הבדיקות מתוארים ביומן הבדיקות והתחזוקה (טבלה 2). יש לרשום את תוצאות בדיקות הגורם המוסמך ביומן הבדיקות והתחזוקה או לתעד אותן במערכת זיהוי תדירי רדיו (RFID).
- 2.3 תאימות הרכיבים:** למעט אם צוין אחרת, צידוד של 3M מיועד לשימוש עם רכיבים ותת-מערכות המאושרים על-ידי 3M בלבד. שימוש ברכיבים ותת-מערכות לא מאושרים כחלקי חילוף עלול לסכן את תאימות הצידוד ולהשפיע על הבטיחות ועל האמינות של המערכת כולה.
- 2.4 תאימות המחברים:** המחברים נחשבים לתואמים לאלמנטים המתחברים כאשר הם מיועדים לפעול ביחד באופן שבו גודליהם וצורתיהם אינם גורמים למנגוני השער שלהם להיפתח בטעות, ללא תלות בכיוון אליו הם פונים. צור קשר עם 3M אם יהיו לך שאלות כלשהן בנוגע לתאימות. על המחברים (וויס, קרבינות וטבעות D) להיות מסוגלים לשאת לפחות 22 קילו-ניוטון (5,000 ליברות). המחברים מוכרחים להיות תואמים לעיגון או לרכיבי המערכת האחרים. אין להשתמש בצידוד שאינו תואם. מחברים שאינם תואמים עלולים להתנתק באופן בלתי מכוון (ראה אזור 4). הגודל, הצורה והחוזק של המחברים חייבים להיות תואמים. נדרש שימוש בקרסים קפיציים ננעלים מעצמם ובטבעות טיפוס (קרבינות). אם האלמנט המתחבר שאליו מחוברת קרס קפיצי או קרבינה קטן מדי או בעל צורה חריגה, עלול להיווצר מצב שבו האלמנט המתחבר מפעיל כוח על שער הקרס הקפיצי או הקרבינה (A). כוח זה עלול לגרום לפתיחת השער (B), ובכך לאפשר לקרס הקפיצי או לקרבינה להתנתק מנקודת החיבור (C).
- 2.5 ביצוע החיבורים:** קרסים קפיציים וקרבינות שבהם נעשה שימוש ביחד עם צידוד זה מוכרחים להיות בעלי נעילה עצמית. ודא שכל החיבורים תואמים בגודלם, בצורתם ובחוזקם. אין להשתמש בצידוד שאינו תואם. ודא שכל המחברים סגורים ונעולים היטב. מחברי 3M (קרסים קפיציים וקרבינות) מיועדים לשימוש רק לפי המפרט המופיע בהוראות למשתמש של כל מוצר. לדוגמאות לחיבורים שגויים, ראה אזור 5. אין לחבר קרסים קפיציים וקרבינות:
- א. לטבעת D שאליה כבר צמוד מחבר אחר.
  - ב. באופן שיוביל לעומס על השער. אין לחבר קרסים קפיציים עם צוואר רחב (large throat) לטבעות "D" בגודל תקני או לעצמים דומים שבייאו לעומס על השער, אם הקרס הקפיצי או טבעת ה-"D" מסתובבת או מתקלקלת, למעט כאשר הקרס הקפיצי מצויד בשער של 16 קילו-ניוטון (3,600 ליברות).
  - ג. בחיבור שגוי, שבו גודל או צורת המחברים לצימוד אינם תואמים, וללא אישור חזותי, המחברים נראים כאילו הם מחוברים במלואם.
  - ד. אחד לשני.
  - ה. ישירות לרשת, לחבל האבטחה או לחלק הקשירה (למעט אם הוראות היצרן מתירות חיבור כזה באופן ספציפי, הן עבור חבל הבטיחות והן עבור המחבר).
  - ו. לכל עצם שצורתו או ממדיו ימנעו מהקרס הקפיצי או מהקרבינה להיסגר ולהינעל, או שעלולה להתרחש התגלגלות החוצה (roll-out).
  - ז. באופן שאינו מאפשר למחבר להתיישר כהלכה בזמן שהוא תחת עומס.

**1 עובד:** כל אדם המוגן מנפילה באמצעות מערכת פעילה להגנה מנפילות, או, במקרה של מערכת בלימת נפילה, אדם שעשוי ליפול בזמן שהוא מחובר למערכת.  
**2 אדם מוסמך:** אדם שמונה על ידי המעביד להיות אחראי לפיקוח, להטמעה ולניטור מיידיים של תכנית ההגנה מפני נפילות המנוהלות על ידי המעביד, אשר בעזרת הכשרה וידע, היו מסוגל לזהות, להעריך ולטפל בסכנות נפילה קיימות ופוטנציאליות, ויש לו סמכות מטעם המעביד לנקוט בפעולה מתקנת מיידית עבור סכנות אלה.

### 3.0 התקנה והתאמה

- 3.1 תכנון:** תכנן את מערכת ההגנה שלך מפני נפילה לפני תחילת עבודתך. עליך לקחת בחשבון את כל הגורמים שעשויים להשפיע על בטיחותך, לפני נפילה, במהלכה או אחריה. קח בחשבון את כל הדרישות והמגבלות המוגדרות בסעיף 1.
- 3.2 עיגון:** בחר מיקום לעיגון עם סיכון מינימלי לנפילה חופשית או נפילת תנופה (ראה סעיף 1). בחר נקודת עיגון קשיחה היכולה לשאת את העומסים הסטטיים המוגדרים בסעיף 1.
- לא למנט החיבור הקדמי (טבעת D) על החזה. העזר בהוראות המצורפות לרתמה שלך בשביל יישומי הגנה נוספים מנפילה ומחברי רתמה מומלצים.
- 3.3 מחברי תמיכת גוף:** חובה להשתמש ברסן \ חבל ביטחון למיקום עבודה עם רתמת גוף מלאה או חגורת גוף. בשביל יישומי ריסון, חבר את חבל הביטחון לאלמנט החיבור המתאים (טבעת D) על הרתמה או על החגורה. העזר בהוראות המצורפות לרתמה או לחגורה שלך בשביל יישומי הגנה נוספים מנפילה ומחברים מומלצים.
- 3.4 חבר אל חבל האבטחה למיקום בעבודה:** כאשר אתה מבצע את החיבור, יש לוודא שלא תוכל להתרחש התגלגלות. (ראה סעיף 2.5 "חיבורים.") התגלגלות נוצרת כאשר הפרעה בין הקרס והמחבר המתאים גורמת לשער הקרס להיפתח באופן לא מכוון ולשחרר.
- שלב 1:** חבר את המחבר הנועל לתמיכה בחבל (ראה איור 1) לצד הימני או השמאלי של טבעת ה-D הממוקמת על חגורת הגוף או רתמת הגוף המלאה של המפעיל.
- שלב 2:** מקם את חבל האבטחה סביב עוגן בטוח המסוגל לשאת בעומס של 12 קילו-ניוטון (2,698 ליברות) או יותר. ודא כי חבל האבטחה מעודכן באופן שלא מאפשר לו להחליק מטה או מעבר לנקודת העיגון.
- שלב 3:** חבר את מחבר הגוף של חבל האבטחה (ראה איור 1) לצד הנגדי של טבעת ה-D. כאשר הוא מחובר, הקרס הקפיצי או שער הקרבינר חייבים לפנות החוצה והרחק מהמשתמש.
- שלב 4:** כדי לקצר את החבל, משוך את הזנב ישירות לכיוון נקודת העיגון. (איור 6)
- שלב 5:** אפשר לחבל לעבור מבעד למתאם תוך הישענות אחורה. שחרר את המתאם כאשר הוא נמצא במיקום הרצוי. (איור 7)
- שלב 6:** ודא עיגון בטוח, חיבורים הולמים והתאמת חבל:
- חוזק עיגון מספק.
  - קרס קפיצי וקרבינר מחוברים כראוי לרתמת הגוף המלאה או לחגורת הגוף.
  - חבל האבטחה לא יכול להחליק מטה או מעבר לנקודת העיגון.
  - חבל האבטחה נמצא במתח הנכון.

אין להשתמש בקרס הקפיצי או בקרבינר לקשירה חזרה אל החבל. על שני המתברים להיות מחוברים לטבעות ה-D בצד המתאים. לעולם אל תשתמש בחבל האבטחה הניתן להתאמה למיקום בעבודה עם מחבר אחד בלבד מחובר לרתמת הגוף המלאה.

### 4.0 תפעול

משתמשים בפעם הראשונה או באופן לא תדיר בחבל ביטחון סופג אנרגיה, צריכים לסקור את "הוראות הבטיחות" בתחילתו של מדריך זה לפני השימוש בחבל.

- 4.1 סקירת עובד:** לפני כל שימוש, סקור את חבל הביטחון על פי רשימת הסקירה שנמצאת ביומן הסקירה והתחזוקה (טבלה 2). אם הסקירה חושפת מצב לא בטיחותי או מצביעה שחבל הביטחון חווה נזק כלשהו או כוחות נפילה, חבל הביטחון חייב להיות מוצא משימוש ומושמד.
- 4.2 תפעול:** תמיד חבר את הקצה תומך הגוף של חבל הביטחון קודם לרתמת גוף מלאה או חגורה ואז חבר את רגל החבל לעיגון המתאים. תמיד צמצם את אורך עודף חבל הביטחון ליד אזור סיכון לנפילה, קרוב ככל האפשר לעיגון. ראה את סעיף 3 בנוגע לפרטים על תמיכת גוף וחיבור העיגון. בדוק באופן קבוע את רכיבי ההידוק ו/ או ההתאמה במהלך השימוש.
- 4.3 לאחר נפילה:** כל חבל ביטחון שחווה כוחות של עצירת נפילה או מראה נזק המתאים להשפעות של כוחות עצירת נפילה כפי שמתוארים ביומן ההתקנה והתחזוקה (טבלה 2) חייב להיות מוצא משימוש מיידית ומושמד.

### 5.0 בדיקה

- 5.1 תדירות הבדיקות:** חייבים לבדוק את חבל הביטחון במרווחי הזמן שמוגדרים בסעיף 2. נהלי הבדיקות מתוארים ב-"יומן בדיקות ותחזוקה" (טבלה 2).

בתנאי עבודה קיצוניים ביותר (סביבה קשה, שימוש ממושך וכיו"ב) ייתכן שיהיה צורך להגביר את תדירות הבדיקות.

- 5.2 תנאים לא בטיחותיים או פגמים:** אם במהלך בדיקה מתגלים תנאים לא בטיחותיים או פגמים, הוצא מיד את חבל הביטחון משימוש והשמד אותו על מנת למנוע שימוש בטעות. חבלי ביטחון אינם ניתנים לתיקון.
- 5.3 אורך חיי המוצר:** אורך החיים התפקודי של חבלי הביטחון של 3M נקבעים על פי תנאי העבודה והתחזוקה. אורך חיי המוצר המרבי עשוי לנוע בין שנה אחת במקרה של שימוש מאומץ בתנאים קיצוניים, עד 10 שנים במקרה של שימוש קל בתנאים מתונים. כל עוד המוצר עומד בהצלחה בקריטריוני הבדיקה ניתן להשאירו בשימוש ל-10 שנים לכל היותר.

## 6.0 תחזוקה, טיפול ואחסון

אסור לנקות או לחטא את חבל הביטחון בשיטה השונה מהמתואר ב"הוראות הניקוי". שיטות אחרות עלולות לגרום להשפעה חמורה על חבל הביטחון או המשתמש.

### 6.1 ניקוי: נהלי הניקוי לחבל ביטחון סופג אנרגיה הם כדלקמן:

- נקה מעת לעת את החלק החיצוני של חבל הביטחון בעזרת מים ותמיסת סבון עדינה. אסור שטמפרטורת המים תעלה על  $40^{\circ}\text{C}$  ( $104^{\circ}\text{F}$ ). מקם את חבל הביטחון כך שהמים העודפים יוכלו להתנקז החוצה. ניקוי יבש אסור. אל תגהץ. במידת הצורך, נקה את התוויות.
- שטוף וייבש היטב באוויר. אין לזרז את הייבוש באמצעות חום.

השתמש בממס נטול מלבין כאשר אתה מנקה את חבלי הביטחון. אין להשתמש במרכז בדים או דפי מייבש כביסה כאשר מנקים ומייבשים את חבלי הביטחון

### 6.2 שימוש: חבלי ביטחון אינם ניתנים לתיקון. אם חבל הביטחון חווה נזק כלשהו או כוחות נפילה, או שהבדיקה חושפת מצב לא בטוח או פגום, חבל הביטחון חייב להיות מוצא משימוש ומושלך.

### 6.3 איחסון/הובלה: יש לבצע אחסון והובלה של חבל הביטחון בסביבה קרירה, יבשה ונקייה, הרחק מאור שמש ישיר. הימנע מאזורים בהם עשויים להימצא אדי כימיקלים. בדוק היטב את חבל הביטחון לאחר כל תקופה של אחסון ממושך.

## 7.0 תוויות

איור 8 מדגים תוויות על חבלי הביטחון ואת מיקומם. כל התוויות חייבות להימצא על חבל הביטחון. המידע המסופק על כל תווית הוא כדלהלן:

תיאור	ראה איור 8:
מספר דגם	①
מספר סידורי	②
מספר אצווה	③
כתובת היצרן	④
ראה הוראות	⑤
תקן אירופי	⑥
סימן CE	⑦
מספר הגוף המיידע המבצע התאמה לסוג.	⑧
אורך	⑨
חודש הייצור	⑩
שנת הייצור	⑪
כתובת האינטרנט של היצרן	⑫
קוטר חבל	⑬
קיבולת	⑭



## SIGURNOSNE INFORMACIJE

Prije korištenja užeta za pozicioniranje pri radu / sprječavanje pomicanja, pročitajte, usvojite i pridržavajte se svih sigurnosnih informacija sadržanih u ovim uputama. **NEPRIDRŽAVANJE UPUTA MOGLO BI DOVESTI DO OZBILJNIH OZLJEDA ILI SMRTI.**

Upute se moraju dostaviti korisniku ove opreme. Spremite upute za buduće korištenje.

### Namjena opreme:

Ovo uže za pozicioniranje pri radu / sprječavanje pomicanja koristi se kao dio kompletnog osobnog sustava za zaštitu od pada. Užad za pozicioniranje pri radu / sprječavanje pomicanja koriste se kako bi se spriječila opasnost od pada korisnika odnosno izlaganje opasnosti od pada.

Korištenje u bilo koje druge svrhe, uključujući, bez ograničenja, rukovanje materijalima, rekreacijske i aktivnosti vezane uz sport te druge aktivnosti koje nisu opisane u ovim Korisničkim uputama, nije podržano od tvrtke 3M i moglo bi dovesti do ozbiljnih ozljeda ili smrti.

Ovaj je uređaj namijenjen isključivo za obavljanje radnih zadataka od strane obučениh korisnika.

### UPOZORENJE

Ovo uže za pozicioniranje pri radu / sprječavanje pomicanja dio je osobnog sustava za zaštitu od pada. Očekuje se da svi korisnici budu u potpunosti obučeni za sigurno postavljanje i rukovanje svojim osobnim sustavom za zaštitu od pada. **Neodgovarajuće korištenje ovog uređaja moglo bi dovesti do ozbiljnih ozljeda ili smrti.** Upute za odgovarajući odabir, rukovanje, postavljanje, održavanje i servisiranje potražite u ovim Korisničkim uputama i svim drugim preporukama proizvođača, kod svog nadređenog djelatnika ili se obratite Odjelu za tehničke usluge tvrtke 3M.

- **U svrhu smanjenja opasnosti vezanih uz rad s užeom za pozicioniranje pri radu / sprječavanje pomicanja koje bi, ukoliko ne budu izbjegnute, mogle dovesti do ozbiljnih ozljeda ili smrti:**
  - Ovaj uređaj koristite samo za pozicioniranje pri radu / sprječavanje pomicanja. Uže za pozicioniranje pri radu mora biti konfigurirano tako da ograniči udaljenost slobodnog pada na 60 cm (dvije stope) ili manje i minimizira padove s klačenjem. Uže za sprječavanje pomicanja mora spriječiti opasnost od pada korisnika odnosno izlaganje opasnosti od pada.
  - Nikad ne koristite ovo uže (tj. uže koje nije apsorbirer energije) kao primarni uređaj za zaustavljanje pada.
  - Pregledajte uređaj prije svakog korištenja, a najmanje jednom godišnje te u slučaju bilo kakvog pada. Pregled obavite kako je dano u Korisničkim uputama.
  - Ukoliko pregledom ustanovite nesigurno stanje ili oštećenje, povucite uređaj iz uporabe i uništite ga.
  - Svaki uređaj koji je bio izložen padu ili udarnoj sili, potrebno je odmah povući iz uporabe. Pogledajte Korisničke upute ili se obratite Odjelu za zaštitu od pada tvrtke 3M.
  - Vodite računa o sigurnosti svih povezanih podsustava (primjerice užadi) i spriječite sve opasnosti, uključujući, bez ograničenja, zaplitanje s drugim djelatnicima, samozaplitanje i zaplitanje s pokretnim strojevima i objektima u okruženju.
  - Osigurajte odgovarajuću zaštitu od bridova kada postoji mogućnost da osiguravajuće uže dođe u dodir s oštrim bridovima ili kutovima.
  - Provjerite je li uređaj prikladno podešen za namjeravanu uporabu.
  - Pričvrstite neiskorišteni(e) krak(ove) užeta na pridržać(e) užeta na uprtaču ako su u opremi.
  - Nemojte vezati niti praviti čvorove na užeom.
  - Nemojte prekoračiti dozvoljeni broj korisnika.
  - Vodite računa da sustavi/podsustavi za zaštitu od pada, sklopljeni od komponenti različitih proizvođača, budu međusobno kompatibilni i zadovoljavaju zahtjeve primjenjivih standarda, uključujući ANZI Z359, kao i odredbe drugih primjenjivih propisa, standarda i zahtjeva za zaštitu od pada. Prije uporabe ovih sustava, uvijek se konzultirajte s kompetentnom i kvalificiranom osobom.
- **U svrhu smanjenja opasnosti vezanih uz rad na visini koje bi, ukoliko ne budu izbjegnute, mogle dovesti do ozbiljnih ozljeda ili smrti:**
  - Vodite računa da su vaše zdravstveno stanje i tjelesna kondicija na razini koja omogućuje sigurno podnošenje svih sila vezanih uz rad na visini. Za sva pitanja vezana uz vašu sposobnost za korištenje ove opreme, obratite se svom liječniku.
  - Nikad ne premašujte dopušteni kapacitet svoje opreme za zaštitu od pada.
  - Nikad ne premašujte maksimalnu razdaljinu slobodnog pada svoje opreme za zaštitu od pada.
  - Ne koristite bilo kakvu opremu za zaštitu od pada koja otkáže prilikom pregleda prije uporabe ili bilo kojeg drugog pregled niti kada imate nedoumice u pogledu načina korištenja ili prikladnosti opreme za konkretnu primjenu. Za sva pitanja obratite se Odjelu za tehničke usluge tvrtke 3M.
  - Pojedine kombinacije podsustava i komponenata mogu ometati korištenje ove opreme. Koristite samo kompatibilne sponе. Konzultirajte se s tvrtkom 3M prije korištenja opreme u kombinaciji s komponentama i podsustavima koji se razlikuju od onih opisanih u ovim Korisničkim uputama.
  - Poduzmite dodatne mjere opreza prilikom rada u blizini pokretnih strojeva (primjerice nadgrađa naftne platforme), električne opasnosti, ekstremnih temperatura, kemijskih opasnosti, eksplozivnih ili otrovnih plinova, oštrih ivica ili ispod tereta koji bi mogao pasti na vas ili na vašu opremu za zaštitu od pada.
  - Za rad u okruženjima s visokim temperaturama koristite Arc Flash ili Hot Works uređaje.
  - Izbjegavajte površine i objekte koji bi mogli ozlijediti korisnika ili oštetiti opremu.
  - Prilikom rada na visini, vodite računa o odgovarajućem odstojanju za pad.
  - Nikada ne pravite izmjene i preinake svoje opreme za zaštitu od pada. Opravke opreme može obavljati isključivo tvrtka 3M odnosno tvrtke koje za to imaju pismeno dopuštenje tvrtke 3M.
  - Prije korištenja opreme za zaštitu od pada, provjerite je li donesen odgovarajući plan spašavanja koji omogućuje brzo spašavanje u slučaju pada.
  - U slučaju pada, odmah zatražite liječničku pomoć za djelatnika koji je pao.
  - Ne koristite pojas za tijelo u primjenama za ublažavanje pada. Koristite isključivo uprtač za cijelo tijelo.
  - Minimizirajte padove s klačenjem tako što ćete radove obavljati izravno ispod točke sidrišta ili što bliže tom položaju.
  - Tijekom obuke za korištenje ove opreme, obavezna je uporaba sekundarnog sustava za zaštitu od pada na način da vježbenik ne bude izložen nepredviđenim opasnostima od pada.
  - Uvijek nosite odgovarajuću osobnu zaštitnu opremu prilikom postavljanja, korištenja ili inspekcije uređaja/sustava.

Prije korištenja ove opreme, zabilježite identifikacijske podatke proizvoda (vidjeti sliku 8) u "Dnevniku inspekcije i održavanja" tablica 2 na stražnjoj strani ovog priručnika.

Uvijek upotrebljavajte najnoviju verziju uputa za uporabu za 3M proizvod. Najnovije verzije uputa za upotrebu potražite na web-mjestu tvrtke 3M ili se obratite njenoj tehničkoj usluzi.

## OPIS

3M™ Protecta® TRIGGER™ prilagodljivo uže namijenjeno je za korištenje kao dio osobnog sustava za pozicioniranje tijekom obavljanja rada. Sustavi za pozicioniranje tijekom obavljanja rada obično uključuju uprtače za cijelo tijelo ili pojaseve za tijelo, uže za pozicioniranje i pričuvni osobni sustav za zaustavljanje pada. Sustav za prilagođavanje pruža mogućnost jednostavne prilagodbe dužine užeta tijekom korištenja. Ova radna oprema nije namijenjena u svrhe zaustavljanja pada te je potrebna dopuna za pozicioniranje tijekom rada kolektivnim sredstvima (npr. sigurnosne mreže) ili osobnim sredstvima (npr. sustavi za zaustavljanje pada) radi zaštite od pada s visine.

Slika 1 prikazuje prilagodljivo uže za pozicioniranje tijekom rada pokriveno ovim uputama. Razni modeli dostupni su u različitim kombinacijama sljedećih dodataka:

**Tablica 1 – Specifikacije**

<b>SPECIFIKACIJE KOMPONENTI</b>		
<b>Referencija na Sliku 1:</b>		<b>Opis:</b>
<b>Spoj za tijelo</b>	①	Trigger™ Uređaj za prilagođavanje užeta
	②	AJ514/0
	③	AJ572/0
	④	AJ501/0
<b>Spojnicica za pridržavanje užeta</b>	⑤	AJ523/0
	⑥	20LF
	⑦	AJ565/0
	⑧	AJ595/0
<b>Užad</b>	⑨	Statičko uže - 10,5 mm (0,41 in.)
<b>Dodatna karakteristika</b>	⑩	Zaštitni prekrivač za uže otporan na abrazije
<b>Kraj užeta</b>	⑪	Jednostavni čvor na kraju užeta
<b>Naljepnice</b>	⑫	Naljepnice

<b>SPECIFIKACIJE SUSTAVA</b>	
<b>Performanse:</b>	
LY	Dužina užeta (vidjeti Sliku 1).
Kapacitet:	1 osoba kombinirane težine (odjeća, alati, itd.) ne veće od: 140 kg (309 funta)
Radna temperatura:	Minimalno: -35 °C (-31 °F) Maksimalno: +57 °C (135 °F)
<b>Materijali:</b>	
Komponenta tijela uređaja:	Nehrđajući čelik, legura čelika, aluminijska legura i guma - zatezna čvrstoća 22 kN (2243,46 kg/4946 lbf)
Kvačice karabinjera:	Legirani čelik, Aluminij - 22 kN (4 946 lbf) Minimalna Vlačna sila
Kvačice:	Čelik, nehrđajući čelik i pocinčane ili kromirane - zatezna čvrstoća 22 kN (2243,46 kg/4946 lbf)
Konopci:	Najlon - 22 kN (4 946 lbf) Vlačna sila
Navlake za uže:	Poliester, Najlon

## 1.0 PRIMJENE

- 1.1 NAMJENA:** Užad je izrađena kao komponenta osobnog sustava za zaustavljanje pada (eng. personal fall arrest system, vidjeti sliku 2). Ona mogu apsorbirati energiju pada, ograničiti sile pada koje se prenose na tijelo ili se koristiti za pozicioniranje kod rada i sprečavanja pomicanja, ovisno o tipu. Slika 1 prikazuje modele užadi pokrivene ovim priručnikom. Mogu se koristiti u većini situacija koje zahtijevaju kombinaciju pokretljivosti radnika i zaštite od pada (tj. inspeksijski radovi, opći građevinski radovi, radovi na održavanju, proizvodnja nafte, rad u skućenom prostoru itd.).
- 1.2 STANDARDI:** Vaše uže je u skladu s nacionalnim ili regionalnim standardom (standardima) identificiranim na prednjoj korici ovih uputa. Pogledajte lokalne odredbe koje se odnose na sigurnost na radu za dodatne informacije o osobnoj zaštiti od pada. Ukoliko se ovaj proizvod preprodaje izvan početne određene zemlje, preprodavač ove upute mora dati na jeziku zemlje u kojoj će se proizvod koristiti.
- 1.3 OBUKA:** Ovu opremu moraju instalirati i upotrebljavati osobe obučene za njezinu ispravnu primjenu i uporabu. Korisnik snosi odgovornost za upoznavanje s ovim uputama i obuku za pravilno održavanje i korištenje ove opreme. Korisnici također moraju poznavati radne osobine, ograničenja primjene i posljedice nepropisne uporabe.
- 1.4 ZAHTJEVI:** Prije ugradnje ili uporabe ove opreme uvijek vodite računa o sljedećim ograničenjima primjene:
- **Kapacitet:** Užad je namijenjena za uporabu jedne osobe s kombiniranom težinom (odjeća, alat, itd.), unutar raspona težine navedenog na Tablici 1 za model užeta. Uvjerite se da su sve komponente Vašeg sustava stupnjevane do kapaciteta koji odgovara Vašoj primjeni.
  - **Sidrište:** Sidrišta odabrana za sustave za zaustavljanje pada moraju izdržati statička opterećenja primjenjiva u smjerovima koji su dopušteni po cijelom sustavu, od najmanje:
    - A. 12 kN (2 698 lb) za metalna sidrišta ili 18 kN (4 047 lb) za tekstilna sidrišta za necertificirana sidrišta, ili
    - B. Dvaput veću silu zaustavljanja pada od maksimalne, za certificirana sidrišta.Ako to dopušta tip sidrišta, kada se za sidrište spoji više od jednog sustava za zaustavljanje pada, sile navedene pod (1) i (2) gore, pomnožit će se s brojem sustava spojenih za sidrište.
  - **Padovi s klaćenjem:** Pad s klaćenjem događa se kada točka sidrišta nije točno iznad točke pada. Sila udarca o predmet kod pada s klaćenjem može uzrokovati tešku ozljedu (vidjeti sliku 3). Minimizirajte padove s klaćenjem tako što ćete radove obavljati izravno ispod točke sidrišta ili što bliže tom položaju. Uvijek postavite i / ili namjestite traku na takav način da se točka sidrenja održava na ili iznad razine struka; konopac je zategnut; i slobodno kretanje je ograničeno na najviše 0,6 m (1,97 ft).
  - **Opasnosti:** Primjena ove opreme u područjima ekološke opasnosti može zahtijevati dodatne mjere predostrožnosti za sprječavanje ozljeda korisnika ili oštećenja opreme. Opasnosti mogu uključiti, ali nisu ograničene na: visoku temperaturu, jetke kemikalije, korozivna okružja, visokonaponske strujne vodove, eksplozivne i toksične plinove, pokretne strojeve, ili materijale iznad zemlje koji mogu pasti i doći u kontakt s korisnikom ili osobnim sustavom za zaustavljanje pada. Izbjegavajte rad na mjestima gdje bi se vaše uže moglo ukrižiti ili splesti s užetom drugog radnika. Izbjegavajte rad na mjestima gdje može doći do pada predmeta i udaranja o uže, opasnosti od gubitka ravnoteže ili oštećenja užeta. Nemojte dopustiti da uže tijekom uporabe prolazi ispod ruku ili između nogu.

## 2.0 PRIMJENA

- 2.1 PLAN ZAŠTITE OD PADA I SPAŠAVANJA:** Poslodavac mora imati spreman plan za zaštitu od pada i spašavanje. Plan treba sadržavati smjernice i zahtjeve za zaštitu od pada koji određuje poslodavac, uključujući politike, obveze i obuku; postupke za zaštitu od pada; uklanjanje i kontrolu opasnosti od pada; postupke spašavanja; istrage nezgoda i procjenu djelotvornosti programa.
- 2.2 UČESTALOST INSPEKCIJA:** Užad će pregledati djelatnik<sup>1</sup> prije svake uporabe. Osim toga, inspekcije će vršiti stručna osoba<sup>2</sup> koja nije korisnik. Ekstremni uvjeti rada (nepovoljna okružja, dulja primjena itd.), mogu iziskivati povećanje učestalost inspekcija stručne osobe. Stručna osoba će odrediti odgovarajuće intervale inspekcije. Postupci inspekcije opisani su u *Dnevniku inspekcije i održavanja (Tablica 2)*. Nalaze svake inspekcije stručne osobe treba zabilježiti u primjercima *Dnevnika inspekcija i održavanja* ili pratiti pomoću radiofrekvencijske identifikacije (eng. Radio Frequency Identification - RFID).
- 2.3 USKLAĐENOST KOMPONENATA:** Ako nije drukčije navedeno, oprema tvrtke 3M namijenjena je uporabi isključivo s odobrenim komponentama i podsustavima tvrtke 3M. Nadomještanje ili zamjene opreme koje se vrše s neodobrenim komponentama mogu ugroziti usklađenost opreme i imati negativan učinak na sigurnost i pouzdanost cijelog sustava.
- 2.4 USKLAĐENOST SPOJEVA:** Spojnice se smatraju usklađenim sa spojnim elementima kojima su namijenjene kada svojom veličinom i oblikom ne uzrokuju nehotično otvaranje mehanizama zaključavanja, neovisno o orijentaciji. Za sva pitanja vezana uz usklađenost, obratite se tvrtki 3M. Spojevi (kuke, karabinjeri i D-prstenovi) moraju imati nosivost od najmanje 22 kN (5,000 funta). Spojnice moraju biti usklađene sa sidrištem i drugim komponentama sustava. Nemojte koristiti opremu koja nije usklađena. Nesukladne spojnice mogu se nenamjerno otvoriti (Vidjeti Sliku 4). Spojnice moraju biti usklađene veličinom, oblikom i čvrstoćom. Potrebne su samozatvarajuće kvačice i karabinjeri. Ako je spojni element na koji naliježe kvačica ili karabinjer premali ili nepravilnog oblika, može se dogoditi da spojni element primjenjuje silu na zatvarač kvačice ili karabinjera (A). Ta sila može uzrokovati otvaranje zatvarača (B), pa se kvačica ili karabinjer mogu odvojiti od spoja (C).

**1 Radnik:** Svaka osoba zaštićena od pada aktivnim sustavom za zaštitu od pada; ili, u slučaju sustava za zaustavljanje pada; osoba koja bi mogla pasti kada je vezana za sustav.

**2 Stručna osoba:** Osoba koju je poslodavac odredio kao zaduženu za neposredan nadzor, provedbu i nadzor programa zaštite od pada koji je odredio poslodavac i koja je, zahvaljujući obuci i znanju, sposobna identificirati, procijeniti i riješiti postojeće i potencijalne opasnosti od pada i ima dopuštenje poslodavca da poduzme hitne korektivne postupke vezano uz te opasnosti.



- 2.5 SPAJANJE:** Uz ovu opremu moraju se koristiti samo samozatvarajuće kvačice i karabinjeri. Osigurajte usklađenost svih spojeva po veličini, obliku i čvrstoći. Nemojte koristiti opremu koja nije usklađena. Uvjerite se da su sve spojnice u potpunosti zatvorene i zaključane. Spojnice tvrtke 3M (kvačice i karabinjeri) namijenjene su za primjenu isključivo u skladu s navodima proizvođača predmetnog proizvoda. Vidjeti Sliku 5 za primjere neispravnih spojeva. Kvačice i karabinjeri ne smiju se spajati:
- A. Na D-prsten na koji je spojena druga spojnica.
  - B. Na način koji bi uzrokovao preopterećenje zatvarača. Kvačice velikog otvora ne smiju se spajati na D-prstenje standardne veličine ili slične predmete koji uzrokuju opterećenje na zatvarač ako se kvačica ili D-prsten uvrće ili rotira, osim ako je kvačica opremljena zatvaračem od 16 kN (1632,93 kg/3600 lb).
  - C. Kod lažne aktivacije, kada veličina ili oblik pripadajućih spojnica nisu usklađeni i kada spojnice djeluju kao da su u potpunosti u zahvatu bez vizualne potvrde.
  - D. Jedno za drugo.
  - E. Izravno na užicu od užeta ili otkane trake odnosno na privezani krak užeta (osim ako takav spoj nije izričito dopušten prema uputama proizvođača za uže i spojnicu).
  - F. Na bilo koji predmet čiji oblik ili dimenzije onemogućavaju zatvaranje i zaključavanje kvačice ili karabinjera, ili može doći do otvaranja.
  - G. Na način koji ne dopušta pravilno nalijeganje spojnica pod opterećenjem.

### 3.0 UGRADNJA I PRILAGODBA

- 3.1 PLANIRANJE:** Prije početka rada planirajte uvođenje sustava zaštite od pada. Uključite sve čimbenike koji bi mogli utjecati na vašu sigurnost prije, tijekom i nakon pada. Razmotrite sve zahtjeve i ograničenja definirana u Odjeljku 1.
- 3.2 SIDRIŠTE:** Odaberite mjesto sidrišta s minimalnom opasnošću od slobodnog pada i pada s klaćenjem (vidi Odjeljak 1). Izaberite čvrstu točku sidrišta, sposobnu podržati statička opterećenja navedena u Odjeljku 1.
- 3.3 SPOJ ZA POTPORU TIJELA:** Uže za sprečavanje pomicanja / pozicioniranje za rad mora se koristiti s uprtačem za cijelo tijelo ili pojasom za tijelo. Za sprečavanje pomicanja, spojite uže za odgovarajući spojni element (D-prsten) na uprtaču ili na pojasu. Pratite upute priložene uz vaš uprtač ili pojas za ostale primjene za zaštitu od pada i preporučeno spajanje.
- 3.4 SPOJITE NA UŽE ZA POZICIONIRANJE TIJEKOM RADA:** Prilikom spajanja, pobrinite se da ne dođe do otvaranja. (Vidjeti odjeljak 2.5 „Spojevi“) Do otvaranja dolazi kada prepreka između kvačice i naliježuće spojnica uzrokuje nehотиčno otvaranje i otpuštanje zatvarača kvačice.
- KORAK 1:** Povežite samozatvarajuću spojnicu za pridržavanje užeta (vidjeti sliku 1) na lijevi ili desni bočni D-prsten smješten na pojasu za tijelo rukovatelja ili uprtaču za cijelo tijelo.
- KORAK 2:** Postavite uže oko pričvršćenog sidrišta koje može podnijeti teret od 12 kN (2 698 lb) ili veći. Provjerite je li uže pričvršćeno tako da ne može iskliznuti prema dolje ili dalje od točke sidrišta.
- KORAK 3:** Povežite spojnicu za tijelo na užetu (vidjeti sliku 1) na D-prsten na suprotnoj strani. Nakon spajanja, zatvarač kvačice ili karabinjera moraju biti okrenuti prema van i dalje od korisnika.
- KORAK 4:** Kako biste skratili uže, povucite kraj užeta izravno prema sidrišnoj točki. (Slika 6)
- KORAK 5:** Dopustite da uže prolazi kroz prilagodnik u položaju unatrag. Otpustite prilagodnik kada se nađe u željenom položaju. (Slika 7)
- KORAK 6:** Potvrdite sigurno sidrište, ispravne spojeve i podešavanje konopca:
- sidrište je prikladne čvrstoće,
  - kvačica i karabinjer su ispravno priključeni na uprtač za cijelo tijelo ili pojas za tijelo,
  - uže ne može iskliznuti prema dolje ili dalje od točke sidrišta,
  - uže je ispravno zategnuto.

*Nemojte koristiti kvačicu ili karabinjer za spajanje na uže. Obje spojnice moraju biti spojene na odgovarajuće bočne D-prstenove. Nikada ne koristite prilagodljivo uže za pozicioniranje tijekom rada samo s jednom spojnicom spojenom na uprtač za cijelo tijelo.*

### 4.0 RAD

*Početni ili rijetki korisnici užadi s apsorpcijom energije (užad) prije uporabe trebaju konzultirati „Sigurnosne informacije“ na početku ovog priručnika.*

- 4.1 INSPEKCIJA RADA:** Prije svake uporabe, pregledati uže s apsorpcijom energije prema kontrolnoj listi za pregled u *Djelovodniku inspekcije i održavanja (Tablica 2)*. Ako se inspekcijom utvrdi nesigurno stanje ili ima naznaka oštećenja užadi ili silaznih sila, uže treba izbaciti iz uporabe i uništiti.
- 4.2 RAD:** Uvijek prvo spojite kraj užeta za potporu cijelog tijela za uprtač za cijelo tijelo ili za pojas za tijelo, a zatim spojite slobodni krak za odgovarajuće sidrište. Uvijek svedite na minimum labavljenje užeta u blizini opasnosti od pada, radeći što je moguće bliže sidrištu. Vidjeti Odjeljak 3 za pojedinosti o spajanju opreme za potporu tijela i sidrišta. Tijekom uporabe redovito provjeravajte učvršćivanje i / ili elemente za podešavanje.
- 4.3 NAKON PADA:** Sva užad izložena silama blokade pada ili koja pokazuju oštećenja konzistentna s učincima sila blokade pada opisanima u *Djelovodniku ugradnje i održavanja (Tablica 2)* moraju se odmah izbaciti iz uporabe i uništiti.

## 5.0 INSPEKCIJA

**5.1 UČESTALOST INSPEKCIJA:** Užad mora se redovito pregledavati u skladu s rasporedom navedenim u Odjeljku 2. Postupci inspekcije opisani su u "Dnevniku inspekcije i održavanja" (Tablica 2).

Ekstremni uvjeti rada (nepovoljna vremenska okružja, dulja primjena itd.), mogu iziskivati povećanje učestalost inspekcija stručne osobe.

**5.2 NESIGURNO STANJE ILI OŠTEĆENJE:** Ukoliko pregledom ustanovite nesigurno stanje ili oštećenje, odmah povucite uređaj iz uporabe i uništite ga, kako biste spriječili nepropisnu uporabu. Užad se ne može popravljati.

**5.3 ŽIVOTNI VIJEK PROIZVODA:** Funkcionalni vijek užadi tvrtke 3M određuje se u skladu s uvjetima rada i održavanja. Maksimalni vijek trajanja može varirati od 1 godine za intenzivnu uporabu u ekstremnim uvjetima do 10 godina za laganu uporabu u povoljnim uvjetima. Proizvod se može koristiti do najviše 10 godina, sve dok prolazi kriterije inspekcije.

## 6.0 ODRŽAVANJE, SERVISIRANJE I SKLADIŠTENJE

Nemojte čistiti ni dezinficirati užad bilo kojom drugom metodom osim kako je opisano u sljedećim „Uputama za čišćenje“. Druge metode mogu imati neželjene učinke na užad ili na korisnika.

**6.1 ČIŠĆENJE:** Postupci čišćenja užeta su sljedeći:

- Redovito čistite vanjski dio užeta vodom i blagim rastvorom sapuna. Temperatura vode ne smije prelaziti 40 °C (104 °F). Postavite užu tako da višak vode može otjecati. Nemojte sušiti kemijski. Nemojte glačati. Po potrebi očistite naljepnice.
- Isperite i temeljito osušite toplim zrakom. Nemojte pospješivati sušenje toplinom.

Za čišćenje užeta za spašavanje koristiti deterdžent koji ne sadrži izbjeljivač. Omekšivači ni sušila NE SMIJU se koristiti za čišćenje i sušenje užadi

**6.2 SERVISIRANJE:** Užad se ne može popravljati. Ako se inspekcijom utvrdi nesigurno stanje ili ima naznaka oštećenja užadi ili silaznih sila, užu treba izbaciti iz uporabe i uništiti.

**6.3 SKLADIŠTENJE/TRANSPORT:** Skladištite i prevozite užad na hladnom, suhom, čistom mjestu, podalje od izravne sunčeve svjetlosti. Izbjegavajte mjesta gdje su prisutna kemijska isparavanja. Temeljito pregledajte užu nakon svakog razdoblja produljenog skladištenja.

## 7.0 NALJEPNICE

Slika 8 prikazuje naljepnice na užadi i njihovim mjestima. Užad mora sadržavati sve naljepnice - vidjeti sliku 1.

Na svakoj naljepnici trebaju se nalaziti sljedeći podaci:

Vidjeti Sliku 8:	Opis:
①	Broj modela
②	Serijski broj
③	Broj serije
④	Adresa proizvođača
⑤	Vidjeti upute
⑥	Europski standard
⑦	Oznaka CE
⑧	Broj Nadležnog tijela za sukladnost s tipom.
⑨	Dužina
⑩	Mjesec proizvodnje
⑪	Godina proizvodnje
⑫	Web adresa proizvođača
⑬	Promjer konopa
⑭	Kapacitet



## BIZTONSÁGI INFORMÁCIÓK

**Kérjük, hogy a munkahelyzet-beállítás/mozgatás közben fékező jelen feszítőkötél alkalmazása előtt az ebben a használati utasításban szereplő összes biztonsági információt. ENNEK ELMULASZTÁSA SÚLYOS SÉRÜLÉSHEZ VAGY HALÁLHOZ VEZETHET.**

Ezeket az utasításokat át kell adni az eszköz használójának. Őrizze meg ezeket az utasításokat a későbbi felhasználásra.

### Rendeltetésszerű használat:

A munkahelyzet-beállítás/mozgatás közben fékező feszítőkötélet a teljes személyi zuhanásvédelmi rendszer részeként történő alkalmazásra szánjuk. A munkahelyzet-beállítás/mozgatás közben fékező feszítőkötéletek annak megakadályozására használják, hogy a használó zuhanásveszélyt képező helyzetbe kerüljön vagy annak legyen kitéve.

A 3M nem engedélyezi a más alkalmazásokban való használatot (többek között anyagkezelés, szabadidős vagy sporttevékenységek, illetve a termék használati utasításában nem szereplő egyéb tevékenységek esetén), mert ezek súlyos sérüléseket vagy halált okozhatnak.

Ezt az eszközt csak képzett felhasználók használhatják munkahelyi alkalmazásokban.

## FIGYELEM!

A munkahelyzet-beállítás/mozgatás közben fékező jelen feszítőkötél része a személyi zuhanásvédelmi rendszernek. Elvárás, hogy minden felhasználó legyen teljesen kiképezve a személyi zuhanásgátló rendszer biztonságos felszerelésére és használatára. **Az eszköz nem rendeltetésszerű használata súlyos sérüléshez vagy halálhoz vezethet.** A megfelelő kiválasztás, használat, felszerelés, karbantartás és szervizelés érdekében tanulmányozza a jelen használati utasítást és az összes gyártói ajánlást, kérdezze meg felettesét, vagy forduljon a 3M műszaki szolgálatához.

- **Annak érdekében, hogy a munkahelyzet-beállítás/mozgatás közben fékező feszítőkötélhez kapcsolódó kockázatokat csökkenteni lehessen, amelyek egyébként - ha nem kerülhetők el - súlyos sérüléseket vagy halálos baleseteket okozhatnak:**
  - Ezt az eszközt kizárólag a munkahelyzet-beállítás vagy a mozgatás közbeni fékezést megvalósító alkalmazásoknál használja. A munkahelyzet-beállítás/mozgatás közben fékező feszítőkötélet úgy kell konfigurálni, hogy legfeljebb két lábára (61 cm) korlátozza a szabadesés távolságát, és minimálisra csökkentse a lengő zuhanást. A mozgatás közben fékező feszítőkötéleteknek meg kell akadályozniuk, hogy a használó zuhanásveszélyt képező helyzetbe kerüljön vagy annak legyen kitéve.
  - Soha ne használja ezt a feszítőkötélet (azaz nem energiaelnyelő feszítőkötélet) elsődleges zuhanásgátló eszközként.
  - Ellenőrizze az eszközt minden használat előtt, de legalább évente, valamint minden zuhanási eseményt követően. Ellenőrzéskor kövesse a használati utasítást.
  - Ha az ellenőrzés során nem biztonságos vagy hibás körülményt állapít meg, vonja ki az eszközt a használatból, és semmisítse meg.
  - Azon eszközöket, amelyek zuhanásgátlásban vettek részt vagy erőhatásnak lettek kitéve, azonnal ki kell vonni a használatból. Tanulmányozza a használati utasítást, vagy forduljon a 3M zuhanásgátló termékekkel foglalkozó részlegéhez.
  - Gondoskodjon arról, hogy minden csatlakoztatott alrendszer (például feszítőkötélek) védve legyen a veszélyekkel szemben, többek között ne akadjon be más dolgozóba vagy Önbe, mozgó gépbe vagy egyéb környező tárgyakra.
  - Gondoskodjon arról, hogy megfelelő élvédőt használjanak abban az esetben, amikor az eszköz éles szélékkel vagy sarkokkal érintkezik.
  - Gondoskodjon arról, hogy az eszköz megfelelően legyen kikötve a rendeltetésszerű használat szempontjából.
  - Csatlakoztassa a feszítőkötélek használaton kívüli lábát/lábait a hámon található tartó(k)hoz, ha ilyen(ek) fel van(nak) szerelve.
  - Ne alkalmazzon kötést vagy csomót a feszítőkötélen.
  - Ne haladja meg a használók maximálisan engedélyezett számát.
  - Gondoskodjon arról, hogy a különböző gyártók alkatrészeiből összeszerelt zuhanásgátló rendszerek/alrendszerek kompatibilisek legyenek, és megfeleljenek a hatályos szabványok követelményeinek, többek között az ANSI Z359 szabványnak, illetve más alkalmazandó zuhanásgátlási kódexnek, szabványnak vagy előírásnak. Ezen rendszerek használata előtt mindig konzultáljon szakértővel vagy képesített személlyel.
- **A magasban történő munkavégzéshez kapcsolódó kockázatok csökkentése érdekében tartsa be az alábbiakat, amely kockázatok megelőzése nélkül súlyos sérülés vagy halál következhet be:**
  - Legyen jó egészségi és fizikai állapotban ahhoz, hogy ellenálljon a magasban történő munkavégzés közben felmerülő erőhatásoknak. Ha kérdése merül fel ezen eszköz használatával kapcsolatos képességére vonatkozóan, konzultáljon orvosával.
  - Soha ne lépje túl a zuhanásgátló eszköz megengedett terhelését.
  - Soha ne lépje túl a zuhanásgátló eszköz maximális szabadesési távolságát.
  - Ne használjon olyan zuhanásgátló eszközt, amely nem felel meg a használat előtti vagy egyéb tervezett ellenőrzéseken, vagy ha aggályai vannak az eszköz használatával vagy az alkalmazáshoz való alkalmasságával kapcsolatban. Kérdés esetén forduljon a 3M műszaki szolgálatához.
  - Bizonyos alrendszer- és alkatrész-kombinációk akadályozhatják ennek az eszköznek a működtetését. Csak kompatibilis csatlakozókat használjon. Konzultáljon a 3M vállalattal, ha ezt az eszközt az ebben a használati utasításban leírtaktól eltérő alkatrészekkel vagy alrendszerekkel együtt használja.
  - Nagyon óvatosan járjon el mozgó gépek körüli munkavégzéskor (például olajfúrók felső meghajtásánál), elektromos veszélyeknél, szélsőséges hőmérsékleten, vegyi jellegű veszélyeknél, robbanékony vagy mérgező gázok, éles szegélyek, illetve olyan felfüggesztett anyagok jelenlétében, amelyek Önre vagy a zuhanásgátló eszközre zuhanhatnak.
  - Magas hőmérsékleten való munkavégzéshez használjon ívvédelmi vagy hővédelmi eszközöket.
  - Kerülje azokat a felületeket és tárgyakat, amelyek sérülést okozhatnak a felhasználónak vagy az eszközön.
  - Magasban történő munkavégzés esetén gondoskodjon a megfelelő zuhanási térről.
  - Soha ne módosítsa vagy változtassa meg a zuhanásgátló eszközt. Az eszközt csak a 3M vagy a 3M által írásban felhatalmazott személy javíthatja.
  - Zuhanásgátló eszköz használata előtt legyen megfelelő mentési terv, amely azonnali mentést tesz lehetővé zuhanási esemény esetén.
  - Zuhanás esetén azonnal hívjon orvost a lezuhant dolgozóhoz.
  - Zuhanásgátló alkalmazásokhoz ne használjon testhevedert. Csak teljes testes tartóhámot használjon.
  - Csökkentse minimálisra a lengő zuhanást azáltal, hogy a kikötési pont alatti lehető legközelebbi helyen dolgozik.
  - Ha kiképzésen vesz részt ezzel az eszközzel, második zuhanásgátló rendszert kell használni oly módon, hogy a gyakorló személy ne tegye ki magát nemkívánatos zuhanásveszélynek.
  - Mindig viseljen megfelelő egyéni védőfelszerelést az eszköz/rendszer felszereléskor, használatakor vagy ellenőrzésekor.

Az eszköz használata előtt jegyezze fel az azonosítócímkén szereplő termékazonosító adatokat (lásd 8. ábra) a kézikönyv végén található „Ellenőrzési és karbantartási napló” 2. táblázatába.

Mindig ellenőrizze, hogy a 3M használati útmutatójának legújabb verzióját használja. A legfrissebb használati útmutatókért látogasson el a 3M weboldalára vagy forduljon a 3M műszaki ügyfélszolgálatához.

## LEÍRÁS

A 3M™ Protecta® TRIGGER™ feszítőkötél a személyi munkahelyzet-beállítási rendszer részeként használják. A munkahelyzet-beállítási rendszerek általában egy teljes test hámot vagy testevedert, pozícionáló feszítőkötélet és egy másodlagos személyi zuhanásgátló rendszert tartalmaznak. A beállító rendszernél elérhető az az opció, amelynek a segítségével könnyen be lehet állítani a feszítőkötél hosszát használat közben. Ez a felszerelés nem alkalmas zuhanásgátlási célokra, és szükség van a munkahelyzet-beállítási intézkedéseknek a magasból történő zuhanás elleni védelmet biztosító kollektív eszközökkel (pl. biztonsági hálók) vagy személyi eszközökkel (pl. zuhanásgátló rendszerek) való kiegészítésére.

Az 1. ábrán a jelen útmutatóban tárgyalt munkahelyzet-beállító feszítőkötél/állítható munkahelyzet-beállító feszítőkötél látható. A különböző modellek a következő funkciók különböző kombinációival állnak rendelkezésre:

### 1. táblázat – Specifikációk

<b>AZ ALKATRÉSZ MŰSZAKI JELLEMZŐI</b>		
<b>1. ábra Hivatkozás:</b>		<b>Leírás:</b>
<b>Testcsatlakozó</b>	①	Trigger™ kötélbeállító eszköz
	②	AJ514/0
	③	AJ572/0
	④	AJ501/0
<b>Kötéltartó csatlakozó</b>	⑤	AJ523/0
	⑥	20LF
	⑦	AJ565/0
	⑧	AJ595/0
<b>Kötelek</b>	⑨	Statikus kötél - 10,5 mm (0,41 in.)
<b>További funkció</b>	⑩	Kopásálló védőkötél fedőhüvely
<b>Kötélvég</b>	⑪	Egyszerű csomó a kötél végén
<b>Címkék</b>	⑫	Címkék

### RENDSZERSPECIFIKÁCIÓK

<b>Teljesítmény:</b>	
LY	A feszítőkötél hossza (lásd az 1. ábrát).
Kapacitás:	1 személy, akinek az összsúlya (ruházat, szerszámok stb.) legfeljebb: 140 kg (309 font)
Működési hőmérséklet:	Minimum: -35 °C (-31 °F) Maximum: +57 °C (135 °F)

<b>Anyagok:</b>	
Eszközház összetevő:	Rozsdamentes acél, acélötvözet, alumíniumötvözet és gumi - 22 kN (4946 font) szakítószilárdság
Karabiner kampók:	Steel, Aluminium Alloy, and Zinc or Chromate Plated - 22 kN (4 946 lbf) Minimum Szakítószilárdság
Horog:	Acél, rozsdamentes acél és cink- vagy krómbevonat - 22 kN (4946 font) szakítószilárdság
Kötél:	Nejlon - 22 kN (4 946 lbf) Szakítószilárdság
A kötél fedelei:	Poliészter, Nejlon

## 1.0 ALKALMAZÁS

- 1.1 CÉL:** A feszítőkötélek személyi zuhanásgátló rendszer (lásd 2. ábra) részeként használhatók. Képesek elnyelni a zuhanási energiát, csökkenteni a testnek átadott zuhanási erőket, vagy – típusuktól függően – pozicionáláshoz és fékezéshez használhatók. Az 1. ábra azonosítja a jelen felhasználói kézikönyvben tárgyalt feszítőkötél típusokat. Ezek a legtöbb esetben felhasználhatók olyan helyzetekben, amikor a dolgozói mobilitást zuhanásvédelemmel kell kombinálni (például ellenőrzési munka, általános építőipari tevékenység, karbantartási munkák, olajkitermelés, zárt térben végzett munka stb.).
- 1.2 SZABVÁNYOK:** Ez a feszítőkötél megfelel az ezen használati utasítás borítóján azonosított nemzeti vagy regionális szabvány(ok)nak. A személyi zuhanásvédelemre vonatkozó további információkért tekintse meg a munkahelyi biztonságra vonatkozó helyi követelményeket. Ha az eredeti célországon kívül újra eladják ezt a terméket, akkor a viszonteladónak ezeket az utasításokat azon ország nyelvén kell biztosítani, amelyben a terméket használni fogják.
- 1.3 KÉPZÉS:** Ezt az eszközt olyan személyek használhatják, akiket kiképeztek annak megfelelő alkalmazására és használatára. A használó felelőssége ezen utasítások megismerése, valamint az ezen eszköz megfelelő gondozásával és alkalmazásával kapcsolatos képzés. Ezenkívül a felhasználónak ismernie kell az üzemi jellemzőket, az alkalmazhatósági határokat és a nem rendeltetésszerű használat következményeit.
- 1.4 KÖVETELMÉNYEK:** Az eszköz telepítése vagy használata előtt mindig vegye figyelembe az alábbi korlátozásokat:
- **Kapacitás:** A feszítőkötéleket csak egyetlen személy használhatja, akinek az összsúlya (ruházat, szerszámok stb.) teljesíti a feszítőkötél típusára vonatkozó 1. ábrán megadott Súlytartományt. Ügyeljen arra, hogy a rendszer valamennyi komponense a felhasználási célhoz szükséges besorolású legyen.
  - **Kikötési pont:** A zuhanásgátló rendszerekhez kiválasztott kikötési pontoknak a teljes rendszer esetén engedélyezett irányokban képeseknek kell lenniük fenntartani legalább a következő statikus terheléseket:
    - A. Nem vizsgált kikötési pontok használatakor fém kikötési pontok esetén 12 kN (2 698 lb) vagy textil kikötési pontok esetén 18 kN (4 047 lb), vagy
    - B. A vizsgált kikötési pontok maximális zuhanásgátló erejének kétszerese.Ha a kikötési pont típusa alapján engedélyezett az, hogy egy kikötési ponthoz egynél több zuhanásgátló rendszert csatlakoztassanak, a fenti (1) és (2) pontban megadott erőket meg kell szorozni a kikötési ponthoz csatlakoztatott rendszerek számával.
  - **Lengő zuhanások:** Lengő zuhanás akkor következhet be, ha a kikötési pont nem közvetlenül az esés helye felett található. Súlyos sérülést okozhat, ha lengő zuhanás közben a zuhanó személy valamilyen tárgyhoz ütközik (lásd 3. ábra). Csökkentse minimálisra a lengő zuhanást azáltal, hogy a kikötési pont alatti lehető legközelebbi helyen dolgozik. Mindig állítsa be és / vagy állítsa be a zsinórt úgy, hogy a rögzítési pont a derék szintjén vagy felett legyen; a nyakpánt feszes; és a szabad mozgás legfeljebb 0,6 m (1,97 láb).
  - **Veszélyek:** Az eszköz környező veszélyeket rejtő területen történő használata esetén további elővigyázatossági intézkedésekre lehet szükség a használó sérülésének vagy a berendezés károsodásának elkerülése érdekében. A veszélyek körébe – a teljesség igénye nélkül – a következők tartoznak: nagy hő, maró vegyszerek, korrózív környezet, nagy feszültségű elektromos vezetékek, robbanékony vagy mérgező gázok, mozgó gépek vagy túllógó anyagok, melyek leeshetnek és kapcsolatba kerülhetnek a felhasználóval vagy a zuhanásgátló rendszerrel. Ne végezzen munkát olyan helyen, ahol a feszítőkötél egy másik dolgozó feszítőkötélét keresztelheti, vagy beegabalyodhat abba. Kerülje az olyan munkavégzést, ahol egy tárgy leeshet és a feszítőkötélnek ütközhet, mert az az egyensúlyvesztés vagy a feszítőkötél sérülésének kockázatával jár. Ügyeljen arra, hogy a feszítőkötél ne haladjon el a karok vagy a lábak alatt.

## 2.0 HASZNÁLAT

- 2.1 ZUHANÁSVÉDELEM ÉS MENTÉSI TERV:** A munkáltatónak érvényes zuhanásvédelmi és mentési tervvel kell rendelkeznie. A tervnek útmutatásokat és követelményeket kell tartalmaznia a munkáltató által kezelt zuhanásvédelmi programra vonatkozóan, beleértve a következőket: irányelvek, kötelezettségek és kiképzés; zuhanásvédelmi eljárások; zuhanásveszély kiküszöbölése és ellenőrzése; mentési eljárások; eseménykivizsgálások; a program hatékonyságának értékelése.
- 2.2 AZ ELLENŐRZÉS GYAKORISÁGA:** A dolgozónak a feszítőkötéleket<sup>1</sup> minden egyes használat előtt ellenőriznie kell. Ezenkívül a felhasználótól eltérő hozzáértő személynek is<sup>2</sup> el kell végeznie az ellenőrzést. Szükséges munkafeltételek mellett (mostoha környezet, hosszabb használat stb.) a hozzáértő személy által végzett gyakoribb ellenőrzésre lehet szükség. Az ellenőrzési időközöket a hozzáértő személynek kell meghatározni. Az ellenőrzési eljárások az *Ellenőrzési és karbantartási naplóban* (2. táblázat) vannak ismertetve. A hozzáértő személy által végzett valamennyi ellenőrzés eredményeit az *Ellenőrzési és karbantartási naplóban* kell rögzíteni, vagy a rádiófrekvenciás azonosító (RFID) rendszerrel kell követni.
- 2.3 AZ ALKATRÉSZEK KOMPATIBILITÁSA:** Ha másképp nem jelzik, a 3M berendezést kizárólag a 3M által jóváhagyott alkatrészekkel és alrendszerekkel együtt történő alkalmazásra tervezték. A jóvá nem hagyott alkatrészekkel vagy alrendszerekkel történő helyettesítés, illetve pótlás veszélyeztetheti az eszköz kompatibilitását, ugyanakkor befolyásolhatja az egész rendszer biztonságát és megbízhatóságát.
- 2.4 CSATLAKOZÓK KOMPATIBILITÁSA:** A csatlakozókat akkor tekintjük kompatibilisnek a csatlakozó elemekkel, ha azokat oly módon történő használatra tervezték, hogy méretük és alakjuk – tekintet nélkül arra, hogy milyen tájolásúak – nem idézi elő a reteszelőmechanizmusai véletlenszerű nyitását. A kompatibilitással kapcsolatos kérdésekkel forduljon a 3M-hez. A csatlakozóknak (horgok, karabinerek és D-gyűrűk) legalább 22 kN-t (5000 font) kell megtartaniuk. A csatlakozóelemeknek kompatibilisnek kell lenniük a kikötési ponttal vagy a rendszer egyéb alkatrészeivel. Ne használjon olyan eszközt, amely nem kompatibilis. A nem kompatibilis csatlakozók véletlenül szétkapcsolódhatnak (lásd a 4. ábrát). A csatlakozóelemeknek méret, alak és teherbírás szempontjából egyaránt kompatibilisnek kell lenniük. Önzáró biztonsági horgokat és karabinereket kell alkalmazni. Ha a csatlakozóelem, amelyhez biztonsági horog vagy karabiner csatlakozik, túlságosan kis méretű, illetve szabálytalan alakú, előfordulhat,

**1 Dolgozó:** Bármely olyan személy, akinek aktív zuhanásvédő rendszerrel védelmet kell nyújtani a lezuhanás ellen, vagy zuhanásgátló rendszer esetén olyan személy, aki a rendszerhez való csatlakoztatás közben lezuhanhat.

**2 Hozzáértő személy:** A munkáltató által kijelölt személy, aki felelős a munkáltató által kezelt zuhanásvédelmi program azonnali felülvizsgálatáért, végrehajtásáért és monitorozásáért, és aki képzések és ismeretek révén képes azonosítani, értékelni és kezelni a meglévő és potenciális zuhanásveszélyeket, és aki rendelkezik a munkáltatói jogosultsággal ahhoz, hogy az ilyen veszélyekkel kapcsolatban haladéktalanul elhárítási tevékenységet végezzen.

hogy a csatlakozóelem erőt fejt ki a biztonsági horog vagy a karabiner zárónyelvére (A). Ez az erő a zárónyelvet nyitásra készítheti (B), ezáltal pedig a biztonsági horog vagy a karabiner lekapcsolódhat a csatlakozási pontról (C).

**2.5 CSATLAKOZTATÁSOK:** Ezzel az eszközzel együtt kizárólag önzáró biztonsági horgokat és karabinereket használjon. Ellenőrizze, hogy minden csatlakozás kompatibilis-e méret, alak és teherbírás szempontjából. Ne használjon olyan eszközt, amely nem kompatibilis. Ellenőrizze, hogy minden csatlakozóelem teljesen záródott és reteszelt-e. A 3M csatlakozók (biztonsági horgok és karabinerek) kizárólag az egyes termékek használati utasításában meghatározott módon alkalmazhatók. A helytelen csatlakoztatásokra példák a 5. ábrán láthatók. Ne csatlakoztasson biztonsági horgokat és karabinereket:

- A. Olyan D-gyűrűhöz, amelyhez másik csatlakozóelem csatlakozik.
- B. Oly módon, hogy az terhelést jelentsen a záróelem számára. A nagy nyílású biztonsági horgokat nem szabad szabványos méretű D-gyűrűkhöz vagy hasonló olyan tárgyakhoz csatlakoztatni, amelyek a záróelem terhelését eredményeznék a horog vagy a D-gyűrű elfordulásakor, illetve elcsavarodásakor, kivéve, ha a biztonsági horgok 16 kN-os (3600 font) záróelemmel vannak szerelve.
- C. Hibás összekapcsolódáskor, amikor a csatlakozóelemek mérete és alakja nem kompatibilis egymással, szemrevételezés hiányában úgy tűnik, hogy a csatlakozók teljes mértékben összekapcsolódtak.
- D. Egymáshoz.
- E. Közvetlenül a szövethevederhez vagy rögzítő-, illetve tartókötélelhez (hacsak a gyártónak a mind a rögzítőkötélelre, mind a csatlakozóra vonatkozó utasításai az ilyen jellegű csatlakoztatást kifejezetten nem engedélyezik).
- F. Bármely olyan tárgyhoz, amely olyan alakú vagy méretű, hogy a biztonsági horog vagy a karabiner nem tud záródni, illetve reteszelődni, vagy amelynél kicsúszás fordulhat elő.
- G. Oly módon, amely nem teszi lehetővé, hogy a csatlakozóelem terhelés alatt megfelelően beállítható legyen.

### 3.0 ÜZEMBE HELYEZÉS ÉS BEÁLLÍTÁS

**3.1 TERVEZÉS:** Tervezze meg a zuhanásvédelmi rendszert, mielőtt elkezdi a munkát. Vegyen figyelembe minden tényezőt, amely zuhanás előtt, alatt és után befolyásolhatja a biztonságát. Fontolja meg az összes előírást és korlátozást, mely az 1. részben meghatározásra került.

**3.2 KIKÖTÉSI PONT:** Válasszon helyet a kikötési pontnak minimális szabadesséssel és lengő zuhanásveszéllyel (lásd 1. rész). Válasszon merev kikötési pontot, amely képes megtartani az 1. részben meghatározott statikai terhet.

**3.3 TESTTÁMASZ CSATLAKOZÁSA:** Fékezés / Munka pozicionáló feszítőkötél használható a teljestestes hámmal vagy testhevederrel. Fékező alkalmazásokhoz csatlakoztassa a feszítőkötélet a megfelelő csatlakozóelemhez (D-gyűrű) a hámon vagy a hevederen. Az egyéb zuhanásvédelmi alkalmazásokat és a javasolt csatlakozásokat nézze meg a hámmal vagy hevederrel kapott útmutatóban.

**3.4 CSATLAKOZÁS A MUNKAHELYZET-BEÁLLÍTÓ FESZÍTŐKÖTÉLHEZ:** A csatlakozáskor gondoskodjon arról, hogy a kampó ne akadhasson ki. (Lásd a 2.5 „Csatlakozások” részt.) A kampó akkor akadhat ki, ha a kampó és a kapcsolódó csatlakozóelem összeakadása miatt a kampó biztosítónyelve véletlenül kinyílik és szabaddá válik.

- 1. LÉPÉS:** Csatlakoztassa a reteszelő kötéltartó csatlakozót (lásd 1. ábra) a kezelő testhevederén vagy a teljestest hámon található bal vagy jobb oldali D-gyűrűhöz.
- 2. LÉPÉS:** Helyezze el a feszítőkötélet egy biztonságos kikötési pont körül, amely elbír 12 kN (2 698 lb) vagy nagyobb terhelést. Ellenőrizze, hogy a feszítőkötél úgy van-e rögzítve, hogy ne tudjon lecsúszni vagy túlcúszni a rögzítési ponton.
- 3. LÉPÉS:** Csatlakoztassa a feszítőkötélet testcsatlakozót (lásd 1. ábra) az ellentétes oldali D-gyűrűhöz. Amikor csatlakozik, a biztonsági horgoknak vagy a karabiner reteszének kifelé, nem a felhasználó felé kell néznie.
- 4. LÉPÉS:** A kötélet lerövidítéséhez húzza a végződést közvetlenül a kikötési pont irányába. (6. ábra)
- 5. LÉPÉS:** Hagyja, hogy a kötélet áthaladjon a beállítón, miközben hátradől. Oldja ki a beállítót, amint elérte a kívánt pozíciót. (7. ábra)
- 6. LÉPÉS:** Ellenőrizze a kikötési pont biztonságosságát, a csatlakozások megfelelőségét és a kötéltbeállítást:
  - A kikötési pont megfelelő erőssége.
  - A biztonsági horog és a karabiner megfelelően csatlakozik a teljestest hámmal vagy testhevederhez.
  - A feszítőkötél nem tud lecsúszni vagy túlcúszni a rögzítési ponton.
  - A feszítőkötél megfelelően meg van húzva.

Ne használja a biztonsági horgot vagy a karabinert a kötélet rögzítésére. Mindkét csatlakozónak a megfelelő oldali D-gyűrűhöz kell csatlakoznia. Soha ne használja az állítható munkahelyzet-beállító feszítőkötélet a teljestest hámmal csatlakoztatott egyetlen csatlakozóval.

### 4.0 MŰKÖDTETÉS

Az feszítőkötéleteket (feszítőkötéletek) először vagy nem gyakran használóknak át kell nézniük a jelen kézikönyv elején található „Biztonsági információk” c. részt, mielőtt használják a feszítőkötélet.

**4.1 DOLGOZÓI ELLENŐRZÉS:** Minden egyes használat előtt vizsgálja meg az feszítőkötélet az ellenőrzési lista szerint, amely az *Ellenőrzési és karbantartási naplóban* (2. táblázat) található. Ha az ellenőrzés során biztonságatlan állapotot tár fel vagy azt látja, hogy a feszítőkötél sérülésnek vagy esési erőnek volt kitéve, akkor a feszítőkötél használatát abba kell hagyni, és azt meg kell semmisíteni.

**4.2 MŰKÖDÉS:** A 2. ábra bemutatja a szokásos Fékezési / Munkapozicionáló alkalmazások rendszercsatlakoztatásait. Mindig csatlakoztassa a feszítőkötélet testtámasz végét először a teljestest hámmal vagy a testhevederhez, majd az ág végét a megfelelő kikötési ponthoz. Zuhanásveszély közelében mindig csökkentse minimálisra a feszítőkötél lazágát, azaz működtesse a kikötési ponthoz a lehető legközelebb. A testtámasz és a kikötési ponthoz való

csatlakoztatás vonatkozásában a részleteket lásd a 3. részben. Használat közben rendszeresen ellenőrizze a rögzítő és / vagy beállító elemeket.

- 4.3 ZUHANÁS UTÁN:** Minden feszítőkötélet, amely zuhanásgátlás erejének volt kitéve, vagy amely sérülést mutat a zuhanásgátló erő hatásainak megfelelően az *Ellenőrzési és karbantartási naplóban* (2. táblázat) leírtak szerint, ki kell vonni azonnal a használatból és meg kell semmisíteni.

## 5.0 ELLENŐRZÉS

- 5.1 AZ ELLENŐRZÉS GYAKORISÁGA:** Az feszítőkötélet a 2. részben meghatározott időközönként kell ellenőrizni. Az ellenőrzési eljárások az *„Ellenőrzési és karbantartási naplóban”* (2. táblázat) vannak ismertetve.

Szélsőséges munkafeltételek mellett (mostoha környezet, hosszabb használat stb.) gyakoribb ellenőrzésre lehet szükség.

- 5.2 BIZTONSÁGTALAN VAGY HIBÁS ÁLLAPOTOK:** Ha az ellenőrzés során biztonságatlan vagy hibás körülményt állapít meg, a feszítőkötélet azonnal használaton kívül kell helyezni és meg kell semmisíteni, hogy megakadályozzák a véletlen használatot. A feszítőkötélek nem javíthatók.

- 5.3 A TERMÉK ÉLETTARTAMA:** A 3M feszítőkötél funkcionális élettartamát a munkakörülmények és a karbantartás határozza meg. A maximális élettartam 1 évtől (szélsőséges körülmények között történő nagy igénybevétel esetén) 10 évig (enyhe körülmények közötti könnyű használat esetén) terjedhet. A termék mindaddig használható, amíg eleget tesz az ellenőrzési feltételeknek és legfeljebb 10 évig.

## 6.0 KARBANTARTÁS, SZERVIZELÉS ÉS TÁROLÁS

Kizárólag az alábbi Tisztítási útmutató c. részben leírt módszerrel tisztítsa és fertőtlenítsa a feszítőkötéleket. Egyéb módszerek károsan befolyásolhatják a feszítőkötélet vagy a használatot.

- 6.1 TISZTÍTÁS:** Az feszítőkötél tisztítási eljárásai az alábbiak:

- Rendszeresen tisztítsa meg a feszítőkötél külső részét vízzel és enyhén szappanos oldattal. A víz hőmérséklete ne haladja meg a 40 °C-ot (104 °F). Úgy helyezze el a feszítőkötélet, hogy a felesleges víz ki tudjon belőle folyni. Ne tisztítsa szárazon. Ne vasalja. Az elvárások szerint tisztítsa meg a címkéket.
- Öblítse le és levegőn szárítsa meg alaposan. Ne próbálja hővel felgyorsítani a száradási folyamatot.

A feszítőkötélek tisztításakor használjon fehérítőmentes mosószert. NEM használhatók öblítők vagy szárítólapok a feszítőkötélek tisztításakor és szárításakor

- 6.2 SZERVIZELÉS:** A feszítőkötélek nem javíthatók. Ha a feszítőkötél sérülésnek vagy esési erőnek volt kitéve, vagy az ellenőrzés biztonságatlan vagy hibás körülményt tár fel, akkor a feszítőkötél használatát abba kell hagyni, és azt meg kell semmisíteni.

- 6.3 TÁROLÁS/SZÁLLÍTÁS:** Hűvös, száraz és tiszta környezetben tárolja és szállítsa a feszítőkötéleket, óvja a közvetlen napfénytől. Ne tárolja az eszközt olyan helyen, ahol vegyi anyagok gőzei kerülhetnek a levegőbe. Alaposan vizsgálja meg a feszítőkötélet hosszabb ideig tartó tárolás után.

## 7.0 CÍMKÉK

A 8. ábra illusztrálja az feszítőkötéleken és azok helyein található címkéket. Az összes címkének megtalálhatónak kell lennie a feszítőkötélen - lásd 1. ábra. Az egyes címkéken levő információk a következők:

Lásd az 8. ábrát:	Leírás:
①	Típuszám
②	Sorozatszám
③	Tételszám
④	A gyártó címe
⑤	Lásd az utasításokat
⑥	Európai szabvány
⑦	CE-jelölés
⑧	A típus megfelelőségét végző értesített testület száma
⑨	Hossz
⑩	Gyártás hónapja
⑪	Gyártás éve
⑫	A gyártó webcíme
⑬	Kötél átmérője
⑭	Kapacitás





## ÖRYGGISUPPLÝSINGAR

Vinsamlegast lestu, meðtaktu og fylgdu öllum öryggisupplýsingum sem eru í þessum leiðbeiningum áður en þetta dragreipi fyrir staðsetningu við vinnu/færslufestingu er notað. EF LEIÐBEININGUM ÞESSUM ER EKKI FYLGT EFTIR, GETUR ÞAÐ VALDIÐ ALVARLEGUM MEÐSLUM, LÍKAMSTJÓNI EÐA DAUÐA.

Leiðbeiningar þessar verður að afhenda notanda þessa búnaðar. Geymdu þessar leiðbeiningar til að styðjast við í framtíðinni.

### Tilætluð notkun:

Þetta dragreipi fyrir staðsetningu við vinnu/færslufestingu er ætlað til notkunar sem hluti af fullkomnu fallvarnarkerfi. Dragreipi fyrir staðsetningu við vinnu/færslufestingu er notað til að koma í veg fyrir að notandinn komist í fallhættu.

Öll önnur notkun, þ.m.t., en takmarkast ekki við, meðhöndlun efna, notkun í afþreyingar- eða íþróttaskyni eða önnur notkun sem ekki er lýst í notendaleiðbeiningunum, er ekki samþykkt af 3M og gæti valdið alvarlegum meiðslum eða dauða.

Einungis þjálfaðir notendur á vinnustað skulu nota þennan búnað.

## VIÐVÖRUN

Þetta dragreipi fyrir staðsetningu við vinnu/færslufestingu er hluti af verndarkerfi sem verndar manneskjuna gegn falli. Ætlast er til að allir notendur séu fullþjálfaðir í öruggri uppsetningu og notkun þeirra eigin fallvarnarkerfis. **Röng notkun þessa búnaðar getur valdið alvarlegum meiðslum eða dauða.** Fyrir rétt val, notkun, viðhald og þjónustu skaltu lesa þessar notendaleiðbeiningar og allar ráðleggingar framleiðanda, ræða við yfirmann þinn eða hafa samband við tæknilega þjónustu hjá 3M (3M Technical Services).

- **Til að lágmarka þá áhættu sem tengist því að starfa með dragreipi fyrir staðsetningu við vinnu/færslufestingu sem getur, í versta falli, valdið alvarlegu líkamstjóni eða dauða, skal gera eftirfarandi:**

- Aðeins skal nota þennan búnað fyrir staðsetningu við vinnu eða færslufestingu. Dragreipi fyrir staðsetningu við vinnu verða að vera uppsett til að takmarka fjarlægð á frjálsu falli við tvö fet eða minna og lágmarka sveiflufall. Dragreipi fyrir færslufestingu verður að koma í veg fyrir að notandinn komist í eða verði útsettur fyrir fallhættu.
- Aldrei skal nota þetta dragreipi (t.d. dragreipi sem dregur ekki úr orku) sem aðalfallstöðvunarbúnað.
- Skoðaðu búnaðinn fyrir hverja notkun, a.m.k. árlega og ef fall hefur átt sér stað. Skoðaðu það í samræmi við notendaleiðbeiningarnar.
- Ef skoðunin leiðir í ljós óöruggt ástand eða galla skal taka búnaðinn úr umferð og farga honum.
- Allan búnað sem hefur verið notaður í falli eða orðið fyrir miklu höggi þarf umsvifalaust að taka úr umferð. Kynntu þér notendaleiðbeiningar eða hafðu samband við fallvarnarþjónustu hjá 3M (3M Fall Protection).
- Tryggja skal að öll undirkerfi (t.d. dragreipi) séu hættulaus, þar á meðal, en ekki takmarkað við, flækjur við aðra starfsmenn, þig sjálfa/n, vélbúnað á ferð eða aðra hluti í kring.
- Tryggja skal að viðeigandi vörn fyrir brúnir sé notuð þegar líflínan kemst í snertingu við skarpar brúnir eða horn.
- Tryggðu að búnaðurinn sé uppsettur á viðeigandi hátt fyrir fyrirhugaða notkun.
- Festa skal ónotaðan fót eða fætur dragreipisins við tengibúnað á beltinu ef slíkt fylgir.
- Ekki binda hnút á dragreipið.
- Ekki má fara fram yfir fjölda leyfilegra notenda.
- Tryggja skal að öll fallvarnarkerfi/undirkerfi sem eru samsett úr íhlutum mismunandi framleiðenda séu samhæfð og mæti kröfum viðeigandi staðla, þ.m.t. staðlinum ANSI Z359 eða öðrum viðeigandi fallvarnarkóðum, stöðlum eða kröfum. Alltaf skal ráðfæra sig við hæfan eða vottaðan aðila, áður en þessi kerfi eru notuð.

- **Til að minnka áhættuna sem fylgir því að starfa hátt uppi sem gæti, ef ekki er komið í veg fyrir það, valdið alvarlegu líkamstjóni eða dauða:**

- Tryggðu að heilsa þín og líkamlegt ástand geri þér örugglega kleift að þola allt það álag sem fylgir því að starfa hátt uppi. Ráðfærðu þig við lækni ef þú hefur einhverjar spurningar varðandi hæfni þína til að nota þennan búnað.
- Aldrei skal fara yfir leyfilega getu fallvarnarbúnaðarins.
- Aldrei skal fara umfram hámarks lengd frjáls falls sem fallvarnarbúnaðurinn leyfir.
- Ekki nota neinn fallvarnarbúnað sem bílar við prófun eða við eftirlit, eða ef þú hefur áhyggjur af notkun búnaðarins eða telur að hann henti ekki í það verk sem er fyrir höndum. Hafðu samband við tæknilega þjónustu 3M ef þú ert með einhverjar spurningar.
- Sum undirkerfi og samsetningar íhluta geta truflað notkun þessa búnaðar. Einungis skal nota tengingar sem eru samhæfðar við þennan búnað. Ráðfærðu þig við 3M fyrir notkun þessa búnaðar með íhlutum eða undirkerfum sem eru frábrugðin þeim kerfum sem er lýst í notendaleiðbeiningunum.
- Nota skal auka varúðarráðstafanir þegar verið er að vinna nálægt tækjabúnaði sem er á hreyfingu (dæmi: á olíuborþöllum), nálægt rafmagnshættu, við mjög hátt eða lágt hitastig, við efnahættu, þar sem sprengihætta er eða hættulegar gastegundir, skarpar brúnir, eða undir hlutum sem gætu fallið á þig eða á fallvarnarbúnaðinn sjálfan.
- Notaðu Arc Flash- eða Hot Works-búnað þegar þú vinnur í mjög heitu umhverfi.
- Forðastu yfirborðsfleti og hluti sem geta skaðað notanda eða búnaðinn.
- Tryggðu að það sé viðeigandi pláss til að falla þegar þú vinnur hátt uppi.
- Aldrei breyta eða umbreyta fallvarnarbúnaðinum. Einungis 3M eða aðilar sem hafa skriflegt umboð frá 3M mega gera við þennan búnað.
- Áður en fallvarnarbúnaðar er notaður skal tryggja að neyðaráætlun sé til um það hvernig bregðast skuli samstundis við ef fall eða slys á sér stað.
- Ef fall á sér stað skal leita læknishjálpar strax fyrir þann starfsmann sem fallið hefur.
- Ekki skal nota líkamsbelti til að stöðva fall. Einungis skal nota fullt líkamsbeisli til að stöðva fall.
- Lágmarka skal sveiflur með því að vinna eins beint fyrir neðan festipunktinn og mögulegt er.
- Ef þjálfun fer fram með þessum búnaði verður að nota annað fallvarnarkerfi, þannig að sá sem er í þjálfun sé ekki í hættu við að falla óvart til jarðar.
- Alltaf skal nota viðeigandi persónuhlífar þegar verið er að setja upp, nota eða hafa eftirlit með búnaðinum/kerfinu.

Fyrir notkun búnaðarins skal skrá auðkennisupplýsingar búnaðarins (sjá mynd 8) sem eru á „Eftirlits- og viðhaldsskrá“, tafla 2, á bakhlið handbókarinnar.

Gangið ávallt úr skugga um að notuð sé nýjasta útgáfa leiðbeiningahandbóka frá 3M. Uppfærðar leiðbeiningahandbækur er að finna á vefsvæði 3M, einnig má hafa samband við tæknipjónustu 3M.

## LÝSING

3M™ Protecta® TRIGGER™ Stillanlegt dragreipi til notkunar sem hluti af persónulegu staðsetningarkerfi fyrir vinnu. Staðsetningarkerfi við vinnu fela yfirleitt í sér líkamsöryggisbelti eða líkamsbelti, staðsetningardragreipi og varafallstöðvunarkerfi. Stillikerfið er með valmöguleika um að stilla á greiðan hátt lengd dragreipis við notkun. Þessi búnaður hentar ekki í fallstöðvunarskyni og nauðsynlegt er að grípa til viðbótarráðstöfunar ef um samsetningu er að ræða (t.d. öryggisnet) eða persónulegu skyni er að ræða (t.d. fallstöðvunarkerfi) til varnar gegn falli úr hæð.

Mynd 1 sýnir dragreipi fyrir staðsetningu við vinnu stillanlegt fyrir staðsetningu dragreipis við vinnu (Adjustable Work Positioning Lanyard) sem um er fjallað í þessum leiðbeiningum. Mismunandi gerðir eru fánlegar með mismunandi samsetningum eftirfarandi eiginleika:

**Tafla 1 – Tæknilyking**

<b>TÆKNILÝSING ÍHLUTA:</b>		
<b>Mynd 1 Tilvísun:</b>		<b>Lýsing:</b>
<b>Tengi aðalhluta</b>	①	Trigger™ stillibúnaður reipis
	②	AJ514/0
	③	AJ572/0
	④	AJ501/0
<b>Tengi fyrir stoð reipis</b>	⑤	AJ523/0
	⑥	20LF
	⑦	AJ565/0
	⑧	AJ595/0
<b>Reipi</b>	⑨	Stöðugt reipi - 10,5 mm (0,41 in.)
<b>Viðbótareiginleikar</b>	⑩	Tæringarvarin slíf
<b>Reipi endar</b>	⑪	Einfaldur hnútur við enda reipis
<b>Merkingar</b>	⑫	Merkingar

<b>TÆKNILÝSING KERFIS:</b>	
<b>Afkastageta:</b>	
LY	Lengd dragreipis (sjá mynd 1).
Geta:	Einn einstaklingur með samanlagða þyngd (fatnaður, verkfæri, o.s.frv.) sem er ekki meiri en: 140 kílógrömm (309 pund)
Ganghiti:	Lágmarks: -35 °C (-31 °F) Hámarks: +57 °C (135 °F)

<b>Efni:</b>	
Aðalhluti búnaðar:	Ryðfrítt stál, málmblandað stál, álblendi og gúmmí - 22 kN (4.946 pund) togþol
Karabínukrókar:	Málmblandað stál, Ál - 22 kN (4 946 lbf) Lágmarks Togþol
Krókar:	Stál, ryðfrítt stál og sínk- eða krómhúðað - 22 kN (4.946 pund) togþol
Reipi:	Nælon - 22 kN (4 946 lbf) Togþol
Kápa fyrir reipi:	Pólýester, Nælon

## 1.0 NOTKUN

- 1.1 TILGANGUR:** Dragreiði eru hönnuð til að vera hluti af persónulegu fallstöðvunarkerfi (sjá mynd 2). Þau geta dreift fallorku, takmarkað fallálag á líkamann eða verið notuð fyrir staðsetningu við vinnu og varnir, háð tegund þeirra. Mynd 1 sýnir tegundir dragreiða sem fjallað er um í þessari notendahandbók. Þau geta verið notuð við flestar aðstæður þar sem þörf er á hreyfanleika starfsmanna og fallvörn (t.d. skoðunarvinnu, almennri byggingavinnu, viðhaldsvinnu, olíuvinnslu, vinnu í lokuðu rými o.s.frv.).
- 1.2 STAÐLAR:** Þetta dragreiði er í samræmi við innlendan og svæðisbundinn staðal eða staðla sem finna má á forsiðu þessara leiðbeininga. Kynntu þér staðbundnar kröfur varðandi öryggi á vinnustað til að fá frekari upplýsingar um persónulega fallstöðvun. Ef þessi vara er endurseld utan upprunalandins skal endursöluaðilinn veita þessar leiðbeiningar á tungumáli landsins þar sem varan verður notuð.
- 1.3 ÞJÁLFUN:** Þessi búnaður er ætlaður til notkunar af aðilum sem hafa hlotið þjálfun í réttri notkun hans. Það er á ábyrgð notanda að tryggja að þeir þekki þessar leiðbeiningar og hafi fengið þjálfun í réttri umhirðu og notkun þessa búnaðar. Notendur verða einnig að skilja eiginleika búnaðarinnar við notkun, takmarkanir hans, og hvaða afleiðingar það getur haft að nota hann á rangan hátt.
- 1.4 KRÖFUR:** Ávallt skal hafa í huga eftirfarandi takmarkanir við uppsetningu eða notkun þessa búnaðar.
- **Geta:** Dragreiði eru til notkunar af einum aðila með samanlagða þyngd (fatnaður, verkfæri o.s.frv.) innan þyngdarsviðs sem tilgreint er í tafla 1 fyrir gerð dragreipis. Gakktu úr skugga um að allir þættir í kerfinu séu metnir að getu sem er viðeigandi fyrir notkun þína.
  - **Festingar:** Festingar sem valdar eru fyrir fallstöðvunarkerfi verða að þola kyrrstöðupunga úr þeim áttum sem heimilaðar eru af kerfinu og eru að minnsta kosti:
    - A. 12 kN (2 698 lb) fyrir málmfestingar eða 18 kN (4 047 lb) fyrir textílfestingar og óvottaðar festingar, eða
    - B. Tvöfalt hámarks höggálag fyrir vottaðar festingar.Ef heimilað er miðað við tegund festingar, þegar fleiri en eitt fallstöðvunarkerfi er fest við festinguna, skal styrkleikinn í (1) og (2) hér að ofan margfaldaður með fjölda kerfa sem fest eru við festinguna.
  - **Sveiflufall:** Sveiflufall á sér stað þegar festipunktur er beint fyrir ofan þann punkt þar sem fall á sér stað. Kraftur þess að lenda á hlut við sveiflufall getur valdið alvarlegu líkamstjóni eða dauða (sjá mynd 3). Lágmarka skal sveiflur með því að vinna eins beint fyrir neðan festipunktinn og mögulegt er. Setjið alltaf og / eða stingið á lykklaborðinu þannig að festingarpunkturinn sé við eða fyrir ofan miðlínu; Lanyard er haldið spenntur; og frjálshreyfing er takmörkuð að hámarki 0,6 m (1,97 fet).
  - **Hætta:** Notkun þessa búnaðar á svæðum með umhverfishættu getur krafist viðbótarráðstafana til að draga úr líkunum á meiðsli á notendum eða skemmdir á búnaði. Hættur geta verið, en takmarkast ekki við: hárfiti, ætandi efni, ætandi umhverfi, háspennulínur, sprengifimar eða eittraðar lofttegundir, vélbúnaður á hreyfingu, skarpar brúnir eða efni fyrir ofan sem getur fallið á eða komist í snertingu við notandann eða fallstöðvunarkerfið. Forðastu vinnu þar sem dragreiði getur þverað eða flækst við dragreiði annars starfsmanns. Forðastu vinnu þar sem hlutur getur fallið eða lent á dragreipinu, sem verður til þess að jafnvægi fer eða skemmir dragreiði. Ekki láta dragreiði fara undir hendur eða á milli fóta.

## 2.0 NOTKUN

- 2.1 FALLVARNAR- OG BJÖRGUNARÁÆTLUN:** Vinnuveitandinn verður að búa yfir fallvarnar- og björgunaráætlun. Áætlunin ætti að veita viðmið og kröfur fyrir fallvarnaráætlun í umsjón vinnuveitanda, þar á meðal reglur, skyldur og þjálfun, fallvarnarverklag, útilokun og stjórnun á fallhættu, björgunarverklag, rannsókn á atvikum og mat á skilvirkni áætlunar.
- 2.2 EFTIRLITSTÍÐNI:** Dragreiði skulu skoðuð af starfsmanninum<sup>1</sup> fyrir hverja notkun. Skoðanir skulu að auki fara fram af hæfum aðila<sup>2</sup> öðrum en notandanum. Erfiðar vinnuaðstæður (óblítt umhverfi, langvarandi notkun, o.s.frv.) geta gert kröfu um tíðari skoðanir hæfs aðila. Hæfi aðilinn skal ákvarða viðeigandi eftirlitstíðni. Eftirlitsferli er lýst í „Eftirlits- og viðhaldsskrá“ (tafla 2). Niðurstöður skoðunar hæfs aðila þarf að skrá í „Eftirlits- og viðhaldsskrá“ eða í fjarskiptatíðnikerfinu (Radio Frequency Identification-RFID).
- 2.3 SAMHÆFI HLUTA:** Ef annað er ekki tekið er 3M búnaður hannaður til notkunar með 3M-samþykktum hlutum og undirkerfum. Skiptingar eða endurnýjanir sem fara fram með hlutum eða undirkerfum sem eru ekki samþykkt geta komið í veg fyrir samhæfi búnaðar og geta haft áhrif á öryggi og áreiðanleika heildarkerfisins.
- 2.4 SAMHÆFI TENGJA:** Tengir eru talin samhæf við tengihluta þegar þau hafa verið hönnuð til að vinna saman þannig að stærðir þeirra og lögnum valda því ekki að hliðarþúnaður þeirra opnast fyrir slysi, óháð því hvernig þau eru stillt. Hafðu samband við 3M ef þú ert með einhverjar spurningar um samhæfi. Tengir (krókar, karabínur og D-hringir) verða að geta stutt að minnsta kosti 22 kN (5.000 pund). Tengir verða að vera samhæf festingunni eða öðrum kerfishlutum. Ekki nota búnað sem er ekki samhæfur. Tengir sem eru ósamhæf geta losnað fyrir slysi (sjá mynd 4). Tengir verða að vera samhæf að stærð, lögnum og styrkleika. Þörf er á sjálflæsandi smellukrókum og karabínur. Ef tengihluti sem smellukrókur eða karabína er fest við er of lítil eða óreglulegur að lögnum gæti ástand komið upp þar sem tengihlutinn beitir afli á hlið smellukróks eða karabínu (A). Þetta afl getur valdið því að hliðið opnast (B) og að smellukrókurinn eða karabínan losnar frá tengipunktinum (C).
- 2.5 TENGING FRAMKVÆMD:** Aðeins skal nota sjálflæsandi smellukróka og karabínur með þessum búnaði. Tryggðu að öll tengi séu samhæf að stærð, lögnum og styrkleika. Ekki nota búnað sem er ekki samhæfur. Tryggðu að öll tengi séu lokuð að fullu og læst. Tengir 3M (smellukrókar og karabínur) eru aðeins ætluð til notkunar eins og tilgreint er í notkunarleiðbeiningum sérhverrar vöru. Á mynd 5 má sjá dæmi um ranga tengingu. Ekki tengja smellukróka og karabínur:
- A. Við D-hring sem annað tengi er fest við.
  - B. Á þann hátt sem mundi orsaka álag á hliðið. Stóra smellukróka ætti ekki að tengja við D-hringi af hefðbundinni

**1 Starfsmaður:** Aðili sem er varinn gegn falli með virku fallvarnarkerfi, eða, ef um er að ræða fallstöðvunarkerfi, aðili sem gæti fallið á meðan hann/hún er fastur við kerfið.

**2 Hæfur aðili:** Einstaklingur tilgreindur af vinnuveitanda til að vera ábyrgur fyrir umsjón, innleiðingu og eftirlit með fallvarnarkerfi í umsjón vinnuveitanda sem, með þjálfun og þekkingu, er fær um að auðkenna, meta og leysa úr núverandi og hugsanlegri fallhættu, og sem hefur heimild vinnuveitanda til að grípa til aðgerða til úrbóta hvað slíka hættu varðar.

stærð eða álíka hluti sem mun orsaka álag á hliðið ef krókurinn eða D-hringurinn snýst, nema smellukrókurinn sé búinn 16 kN (3.600 punda) hliði.

- C. Við falsa tengingu, þegar stærð og lögun þörunartengja eru ekki samhæf, og án sýnilegrar staðfestingar og virðast vera að fullu fastir við festipunktinn.
- D. Við hvorn annan.
- E. Beint við belti eða dragreipi eða festingu (nema leiðbeiningar framleiðanda fyrir dragreipi og tengi heimili slíka tengingu).
- F. Við hlut sem er að lögum eða stærð þannig að smellukrókurinn eða karabínan lokast ekki og læsist, eða getur rúllað af.
- G. Á þann hátt sem kemur í veg fyrir að tengið samstillist rétt undir álagi.

### 3.0 UPPSETNING OG STILLING

- 3.1 **SKIPULAGNING:** Skipuleggið fallvarnarkerfið áður en vinna hefst. Íhugið alla þætti sem gætu haft áhrif á öryggi, bæði fyrir fall, á meðan að fall á sér stað og eftir fall. Takið tillit til allra krafa og takmarkana sem teknar eru fram í hluta 1.
- 3.2 **FESTINGAR:** Veljið festistað þar sem hættan á fríu falli og sveiflufalli er sem minnst (sjá hluta 1). Veljið traustan festistað sem þolir það stöðuálag sem tekið er fram í hluta 1.
- 3.3 **FESTING VIÐ LÍKAMA:** Fallvarnartaug/staðsetningartaug skal nota með fallvarnarbelti eða öryggisbelti. Ef um fallvörn er að ræða skal festa dragreipið við viðeigandi festibúnað (D-hring) á fallvarnarbeltinu eða öryggisbeltinu. Leitið í leiðbeiningarnar sem fylgja með fallvarnarbeltinu eða öryggisbeltinu annars fallvarnarbúnaðar og fylgið ráðleggingum um festingar eftir.
- 3.4 **TENGDU VIÐ DRAGREIPI FYRIR STAÐSETNINGU VIÐ VINNU:** Við tengingu skaltu tryggja að losun geti ekki átt sér stað. (Sjá kafla 2.5 „Tengi“) Tengingar losna þegar núningur á milli króksins og tengisins veldur því að krókfestingin opnast óvart og losnar.

**SKREF 1:** Tengdu stuðningstengi reipis (Rope Support Connector) (sjá mynd 1) við vinstri eða hægri hlið D-hrings sem staðsett er á líkamsbelti stjórnanda eða líkamsöryggisbelti.

**SKREF 2:** Settu dragreipið í kringum tryggilega festingu sem ræður við álag sem nemur 12 kN (2 698 lb) eða meira. Staðfestu að dragreipið sé fast þannig að það geti ekki runnið niður eða framhjá festipunktinum.

**SKREF 3:** Tengdu tengi aðalhluta dragreipis (sjá mynd 1) við hina hlið D-hringsins. Við tengingu verður smellukrókur eða hlið karabínu að snúa út og í burtu frá notandanum.

**SKREF 4:** Til að stytta reipið skaltu toga endann í áttina að festipunktinum. (Mynd 6)

**SKREF 5:** Leyfðu reipinu að fara í gegnum stillihnappinn þegar þú hallar þér aftur. Slepptu stillihnappinum þegar hann er í ákjósanlegri stöðu. (Mynd 7)

**SKREF 6:** Staðfestu tryggja festingu, viðeigandi tengi og reipisstillingu:

- Fullnægjandi festistyrk.
- Smellukrókur og karabína rétt tengd við líkamsöryggisbelti eða líkamsbelti.
- Dragreipi getur ekki runnið niður eða framhjá festipunkti.
- Dragreipi er með rétta strekkingu.

Ekki nota smellukrók eða karabínu til að binda aftur reipið. Bæði tengi verða að vera tengd við viðeigandi hlið D-hringja. Aldeil skal nota stillanlegt dragreipi fyrir staðsetningu við vinnu með aðeins eitt tengi fest við líkamsöryggisbeltið.

### 4.0 NOTKUN

Byrjendur eða aðilar sem nota dragreipi sjaldan ættu að fara yfir „Öryggisupplýsingar“ í byrjun þessarar handbókar áður en þeir nota dragreipið.

- 4.1 **SKOÐUN AF HÁLFU STARFSMANN:** Fyrir hverja notkun skal skoða dragreipið samkvæmt gátlistanum í *Eftirlits- og viðhaldsskrá (tafla 2)*. Ef skoðun leiðir í ljós óörugg skilyrði eða gefur til kynna að dragreipið hafi orðið fyrir skemmdum eða álags vegna falls verður að taka dragreipið úr notkun og farga því.
- 4.2 **NOTKUN:** Festið ávallt þann enda dragreipisins sem styður við líkamann við fallvarnarbelti eða öryggisbelti fyrst og svo leggin við hentuga festingu. Látið slaka dragreipisins nálægt fallhættu vera í lágmarki með því að vinna eins nálægt festingunni og hægt er. Upplýsingar um stoð við líkamann og festingu festibúnaðar má finna í kafla 3. Athugaðu reglulega festingar og / eða stillingarþætti meðan á notkun stendur.
- 4.3 **EFTIR FALL:** Öll dragreipi sem hafa orðið fyrir álagi vegna varnar við falli eða hafa ummerki um skemmdir sem samsvara varni gegn falli samkvæmt því sem tekið er fram í *Uppsetningar- og viðhaldsskrá (tafla 2)* verður að taka úr notkun samstundis og farga.

### 5.0 SKOÐUN

- 5.1 **SKOÐUNARTÍÐNI:** Dragreipið með skal skoða með því millibili sem tekið er fram í hlta 2. Skoðunaraðferðum er lýst í *„Eftirlits- og viðhaldsskrá“ (tafla 2)*.

Erfiðar vinnuaðstæður (óblítt umhverfi, langvarandi notkun, o.s.frv.) geta haft í för með sér tíðari skoðun.

- 5.2 **ÓÖRUGGAR AÐSTÆÐUR EÐA GALLAR:** Ef gallar koma í ljós við skoðun, skal fjarlægja dragreipið umsvifalaust úr umferð og farga því til að koma í veg fyrir að það sé notað fyrir slysi. Dragreipi eru ekki viðgerðarhæf.
- 5.3 **LÍFTÍMI VÖRU:** Endingartími 3M dragreipa ræðst af vinnuaðstæðum og viðhaldi. Hámarkslíftími getur verið frá 1 ári við mikla notkun í öfgakennndum aðstæðum til 10 ára ef notkun er lítil og aðstæður eru vægar. Nota má vöruna áfram svo lengi sem hún stenst skoðunarkröfur og það í allt að 10 ár.

## 6.0 VIÐHALD, ÞJÓNUSTA OG GEYMSLA

Ekki skal þrifa eða sótthreinsa Dragreipi á neinn annan máta en þann sem lýst er í eftirfarandi „Leiðbeiningum um hreinsun“. Aðrar hreinsunaraðferðir geta haft skaðleg áhrif á dragreipið eða notandann.

### 6.1 HREINSUN:

Hreinsunaraðferðir dragreipis eru eftirfarandi:

- Reglulega skal hreinsa ytra borð dragreipisins með vatni og mildri sápulausn. Hitastig vatnsins skal ekki fara umfram 40°C. Komið dragreipinu fyrir þannig að umframvatn geti lekið af því. Þurrhreinsið ekki. Strauið ekki. Hreinsið merkin eftir þörfum.
- Skolið og látið þorna til fulls. Þurrkið ekki með hita.

Notið hreinsiefni án bleikingarefnis þegar dragreipi eru hreinsuð. EKKI skal nota mýkingarefni eða þurrkarablöð við hreinsun og þurrkun dragreipa

### 6.2 ÞJÓNUSTA:

Dragreipi eru ekki viðgerðarhæf. Ef dragreipið hefur orðið fyrir skemmdum eða álags vegna falls, eða ef skoðun leiðir í ljós óörugg skilyrði eða galla, verður að taka dragreipið úr notkun og farga því.

### 6.3 GEYMSLA/FLUTNINGUR:

Geymið og flytjið dragreipi á köldum, þurrum og hreinum stað, fjarri beinu sólarljósi. Forðast skal svæði þar sem efnagufur geta verið til staðar. Skoðið dragreipið vandlega ef það hefur verið geymt í langan tíma.

## 7.0 MERKINGAR

Á skýringarmynd 8 má sjá merki dragreipisins og staðsetningar þeirra. Öll merkin eiga að vera til staðar á dragreipinu - sjá mynd 1.

Upplýsingar á hverri merkingu eru eftirfarandi:

Mynd 8, tilvísun:	Lýsing:
①	Gerð númer
②	Raðnúmer
③	Lotunúmer
④	Heimilisfang framleiðanda
⑤	Sjá leiðbeiningar
⑥	Evrópskur staðall
⑦	CE-merki
⑧	Fjöldi tilkynntra stofa sem framkvæma samræmi við tegund
⑨	Lengd
⑩	Framleiðslumánuður
⑪	Framleiðsluár
⑫	Veffang framleiðanda
⑬	Reipi þvermál
⑭	Geta



## INFORMAZIONI SULLA SICUREZZA

**Leggere, comprendere e seguire tutte le informazioni sulla sicurezza contenute nelle presenti istruzioni prima di utilizzare questo cordino di posizionamento sul lavoro/trattenuta. IL MANCATO RISPETTO DELLE ISTRUZIONI PUÒ CAUSARE GRAVI LESIONI PERSONALI O MORTE.**

**Fornire le presenti istruzioni all'utente dell'attrezzatura. Conservare queste istruzioni come riferimento in futuro.**

### Uso previsto:

Questo cordino di posizionamento sul lavoro/trattenuta deve essere utilizzato come parte di un sistema di protezione anticaduta personale completo. I cordini di posizionamento sul lavoro/trattenuta sono utilizzati per impedire che l'utente raggiunga un punto di pericolo di caduta o sia esposto a pericolo di caduta.

L'utilizzo per qualsiasi altra applicazione incluse, ma non solo, manipolazione di materiale, attività correlate ricreative o sportive oppure altre attività non descritte nelle istruzioni per l'utente, non è approvato da 3M e può causare gravi lesioni personali o morte.

Il presente dispositivo deve essere utilizzato esclusivamente da utenti addestrati nelle applicazioni relative all'ambito di lavoro.

## AVVERTENZA

Questo cordino di posizionamento sul lavoro/trattenuta fa parte di un sistema di protezione anticaduta personale. Si prevede, pertanto, che tutti gli utenti siano completamente addestrati all'installazione e al funzionamento sicuri del loro sistema di protezione anticaduta personale. **L'uso improprio del presente dispositivo può comportare gravi lesioni personali o morte.** Per le modalità corrette di selezione, funzionamento, installazione, manutenzione e assistenza, consultare le presenti istruzioni per l'utente e tutte le raccomandazioni fornite dal produttore; altrimenti rivolgersi al proprio supervisore o contattare l'assistenza tecnica di 3M.

- **Per ridurre i rischi associati all'utilizzo di un cordino di posizionamento sul lavoro/trattenuta che, se non evitati, potrebbero causare gravi lesioni personali o morte:**
  - Utilizzare questo dispositivo solo per il posizionamento sul lavoro o per applicazioni di trattenuta. I cordini per il posizionamento sul lavoro devono essere configurati in modo da limitare la distanza di caduta libera massima a due piedi e di ridurre al minimo la caduta con pendolo. I cordini di trattenuta devono impedire che l'utente raggiunga un punto di pericolo di caduta o sia esposto a pericolo di caduta.
  - Non utilizzare mai questo cordino (ossia, un cordino non dissipatore di energia) come dispositivo di arresto caduta principale.
  - Ispezionare il dispositivo prima di ogni uso, almeno una volta all'anno, e dopo qualsiasi evento di caduta. Le ispezioni devono essere eseguite conformemente a quanto indicato nelle istruzioni per l'utente.
  - Se l'ispezione rivela una condizione insicura o difettosa, rimuovere immediatamente il dispositivo dal servizio e distruggerlo.
  - Ogni dispositivo che è stato sottoposto all'arresto caduta o a una forza d'impatto deve essere immediatamente rimosso dal servizio. Fare riferimento alle istruzioni per l'utente o contattare la protezione anticaduta di 3M.
  - Assicurarsi che tutti i sottosistemi di collegamento (per es., i cordini) siano esenti da tutti i pericoli, inclusi, ma non solo, l'aggrovigliamento con altri operatori, se stessi, macchinari in movimenti o altri oggetti circostanti.
  - Assicurarsi di utilizzare l'adeguata protezione dai bordi, quando la fune dispositivo può entrare in contatto con bordi o angoli taglienti.
  - Assicurarsi che il dispositivo sia equipaggiato adeguatamente per l'uso previsto.
  - Attaccare le gambe inutilizzate del cordino agli attacchi per ferma cordino dell'imbracatura, se esistenti.
  - Non legare o annodare il cordino.
  - Non superare il numero di utenti consentiti.
  - Assicurarsi che i sistemi/sottosistemi di protezione anticaduta assemblati con componenti realizzati da produttori diversi siano compatibili e soddisfino i requisiti degli standard applicabili, inclusi ANSI Z359 o altri codici, standard o requisiti relativi alla protezione anticaduta pertinenti. Consultare sempre una persona competente o qualificata prima di utilizzare questi sistemi.
- **Per ridurre i rischi associati al lavoro in altezza che, se non evitati, potrebbero causare gravi lesioni personali o morte:**
  - Assicurarsi che le proprie condizioni fisiche e di salute permettano una resistenza in completa sicurezza a tutte le forze associate al lavoro in altezza. Consultare il proprio medico in caso di domande relative alla propria capacità d'uso di questa attrezzatura.
  - Non superare mai la capacità consentita della propria attrezzatura di protezione anticaduta.
  - Non superare mai la distanza massima di caduta libera della propria attrezzatura di protezione anticaduta.
  - Non utilizzare mai un'attrezzatura di protezione anticaduta che non abbia superato l'ispezione prima dell'uso o altri controlli programmati oppure in caso di dubbi sull'uso o sull'idoneità dell'attrezzatura in merito all'applicazione. Per eventuali domande, contattare l'assistenza tecnica di 3M.
  - Alcune combinazioni di sottosistemi e componenti potrebbero compromettere il funzionamento di questa attrezzatura. Utilizzare solo collegamenti compatibili. Consultare 3M prima di utilizzare questa attrezzatura in combinazione con componenti o sottosistemi diversi da quelli descritti nelle presenti istruzioni per l'utente.
  - Prestare particolare attenzione in presenza di macchinari in movimento (ad es., il top drive delle torri di perforazione), rischi di carattere elettrico, temperature estreme, rischi di carattere chimico, gas esplosivi o tossici, bordi taglienti oppure al di sotto di materiali sospesi che potrebbero cadere sull'utente o sulla sua attrezzatura di protezione anticaduta.
  - Utilizzare dispositivi Arc Flash o Hot Works quando si lavora in ambienti che presentano temperature elevate.
  - Evitare superfici e oggetti che possano danneggiare l'utente o l'attrezzatura.
  - Durante il lavoro in altezza assicurarsi che ci sia un tirante d'aria di caduta adeguato.
  - Non modificare o alterare mai la propria attrezzatura di protezione anticaduta. Solo 3M o centri con autorizzazione scritta di 3M possono procedere alla riparazione dell'attrezzatura.
  - Prima di utilizzare l'attrezzatura di protezione anticaduta, assicurarsi che esista un piano di salvataggio che permetta un salvataggio immediato nel caso in cui si verifici un incidente.
  - In caso di incidente, fare in modo che il lavoratore caduto sia sottoposto immediatamente alle cure di un medico.
  - Non utilizzare una cintura in vita per applicazioni di arresto caduta. Utilizzare esclusivamente un'imbracatura integrale.
  - Ridurre al minimo le cadute con pendolo lavorando il più possibile direttamente sotto il punto di ancoraggio.
  - Durante la formazione con questo dispositivo, deve essere utilizzato un sistema di protezione anticaduta secondario in modo da non esporre l'utente a un pericolo di caduta involontario.
  - Quando si installa, utilizza o ispeziona il dispositivo/sistema, indossare sempre i dispositivi di protezione individuale idonei.



Prima di utilizzare l'attrezzatura, registrare le informazioni di identificazione del prodotto (vedere la Figura 8) nel "Registro di ispezione e manutenzione" (Tabella 2) che si trova sul retro del presente manuale.

Assicurarsi sempre di utilizzare l'ultima revisione del manuale di istruzioni 3M. Visitare il sito Web 3M o contattare l'assistenza tecnica 3M per i manuali di istruzioni aggiornati.

## DESCRIZIONE

Il cordino regolabile 3M™ Protecta® TRIGGER™ è progettato per essere utilizzato come parte del sistema di posizionamento sul lavoro personale. I sistemi di posizionamento sul lavoro comprendono in genere un'imbracatura completa o una cintura in vita, un cordino di posizionamento e un sistema d'arresto caduta personale di riserva. Il sistema di regolazione fornisce la possibilità di regolare facilmente la lunghezza del cordino durante l'uso. Questa attrezzatura non è adatta per scopi di arresto caduta ed è necessario integrare i dispositivi per il posizionamento sul lavoro con dispositivi di protezione collettivi (ad es., reti di sicurezza) o individuali (ad es., sistemi d'arresto caduta) contro cadute dall'alto.

La Figura 1 mostra il cordino per il posizionamento sul lavoro regolabile descritto in queste istruzioni. Sono disponibili modelli diversi con varie combinazioni delle seguenti caratteristiche:

**Tabella 1 - Specificazioni**

<b>SPECIFICAZIONI DEI COMPONENTI</b>		
<b>Figura 1 di riferimento:</b>		<b>Descrizione:</b>
<b>Connettore per corpo</b>	①	Trigger™ Dispositivo di regolazione fune
	②	AJ514/0
	③	AJ572/0
	④	AJ501/0
<b>Connettore di supporto della fune</b>	⑤	AJ523/0
	⑥	20LF
	⑦	AJ565/0
	⑧	AJ595/0
<b>Funi</b>	⑨	Fune statica - 10,5 mm (0,41 in.)
<b>Caratteristica aggiuntiva</b>	⑩	Manicotto di copertura della fune protettivo resistente alle abrasioni
<b>Estremità della fune</b>	⑪	Nodo semplice all'estremità della fune
<b>Etichette</b>	⑫	Etichette

<b>SPECIFICAZIONI DEL SISTEMA</b>		
<b>Prestazioni:</b>		
LY	Lunghezza cordino (vedere la Figura 1).	
Capacità:	1 persona con peso totale (compresi indumenti, utensili, ecc.) non superiore a: 140 kg (309 libbre)	
Temperatura di esercizio:	Minima: -35 °C (-31 °F) Massima: +57 °C (135 °F)	
<b>Materiali:</b>		
Componente del corpo del dispositivo:	Acciaio inossidabile, lega in acciaio, lega in alluminio e gomma - 22 kN (4.946 libbre) di resistenza alla trazione	
Moschettone:	Lega di acciaio, Alluminio, - 22 kN (4 946 lbf) Minimo di Resistenza alla trazione	
Ganci:	Acciaio, Acciaio inossidabile e placcato in zinco o cromo - 22 kN (4.946 libbre) di resistenza alla trazione	
Corda:	Nylon - 22 kN (4 946 lbf) Resistenza alla trazione	
Coperture per corda:	Poliestere, Nylon	

## 1.0 APPLICAZIONI

- 1.1 SCOPO:** i cordini sono progettati come componenti di un sistema di protezione anticaduta (vedere la Figura 2). Possono dissipare l'energia di caduta, limitare le forze di caduta trasferite al corpo o essere utilizzati per la trattenuta o il posizionamento sul lavoro, a seconda del tipo. La Figura 1 definisce i modelli di cordino trattati nel presente manuale di istruzioni. Possono essere utilizzati nella maggior parte delle situazioni in cui sia necessario assicurare sia la mobilità del lavoratore sia la protezione anticaduta (ossia, lavoro di ispezione, costruzioni, manutenzione, produzione petrolifera, lavoro in spazi confinati, ecc.).
- 1.2 STANDARD:** il cordino è conforme agli standard nazionali segnalati nella copertina di queste istruzioni. Per maggiori informazioni sui sistemi di protezione anticaduta, fare riferimento alle normative locali, nazionali che regolano la sicurezza sul lavoro. Se l'articolo viene rivenduto al di fuori del Paese di destinazione originario, il rivenditore dovrà fornire le presenti istruzioni nella lingua del Paese in cui dovrà essere utilizzato l'articolo.
- 1.3 FORMAZIONE:** l'attrezzatura deve essere utilizzata da operatori adeguatamente addestrati per il suo corretto impiego e uso. È responsabilità dell'utente garantire l'approfondimento delle presenti istruzioni e la formazione in merito alla corretta manutenzione e all'utilizzo dell'attrezzatura. L'utente deve inoltre essere a conoscenza delle caratteristiche operative, dei limiti di applicazione e delle conseguenze derivanti da un uso improprio.
- 1.4 REQUISITI:** considerare sempre le seguenti limitazioni durante l'installazione o l'utilizzo del dispositivo:
- **Capacità:** i cordini devono essere utilizzati da una persona con un peso combinato (abbigliamento, utensili, ecc.) che soddisfa l'intervallo di peso specificato nella Tabella 1 per il modello di cordino. Verificare che tutti i componenti del sistema siano stati omologati per sostenere una capacità conforme all'applicazione necessaria.
  - **Ancoraggio:** gli ancoraggi selezionati per i sistemi d'arresto caduta avranno una forza in grado di sostenere carichi statici applicati nelle direzioni consentite dall'intero sistema di almeno:
    - A. 12 kN (2 698 lb) per gli ancoraggi metallici o 18 kN (4 047 lb) per gli ancoraggi tessili per ancoraggi non certificati o
    - B. Due volte la forza di arresto massima per gli ancoraggi certificati.Se consentito in base al tipo di ancoraggio, quando all'ancoraggio è collegato più di un sistema d'arresto caduta, le resistenze stabilite in precedenza in (1) e (2) devono essere moltiplicate per il numero di sistemi collegati all'ancoraggio.
  - **Cadute con pendolo:** le cadute con pendolo si verificano quando il punto di ancoraggio non è esattamente al di sopra del punto in cui si verifica la caduta. La forza d'urto contro un oggetto durante una caduta con pendolo può causare lesioni gravi (vedere la Figura 3). Ridurre al minimo le cadute con pendolo lavorando il più possibile direttamente sotto il punto di ancoraggio. Posizionare e / o regolare sempre la cordicella in modo tale che il punto di ancoraggio sia mantenuto al livello della vita o sopra la cintura; il cordino è tenuto teso; e, il movimento libero è limitato a un massimo di 0,6 m (1,97 ft).
  - **Rischi:** l'utilizzo di questa attrezzatura in aree soggette a pericoli dell'ambiente circostante può richiedere precauzioni aggiuntive per ridurre la possibilità di lesioni per l'utente o danni all'attrezzatura. Tra i rischi possono essere compresi i seguenti, pur non limitandosi a questi: calore elevato, sostanze chimiche caustiche, ambienti corrosivi, linee ad alta tensione, gas tossici o esplosivi, macchinari in movimento o materiali sospesi che possono cadere ed entrare in contatto con l'utente o con il sistema d'arresto caduta. Evitare di lavorare in punti in cui la propria fune dispositivo potrebbe incrociarsi o aggrovigliarsi con quello di un altro lavoratore. Evitare di lavorare in luoghi dove potrebbero cadere degli oggetti e colpire il cordino, causando perdita di equilibrio o danni al cordino. Non permettere al cordino di passare sotto le braccia o tra le gambe.

## 2.0 USO

- 2.1 PIANO DI PROTEZIONE ANTICADUTA E SALVATAGGIO:** è necessario che il responsabile disponga di un piano di protezione anticaduta e salvataggio. Il piano deve fornire le linee guida e i requisiti del piano di protezione dalle cadute del responsabile, tra cui le politiche, i doveri e la formazione, le procedure di protezione anticaduta, l'eliminazione e il controllo dei pericoli di caduta, le procedure di salvataggio, le indagini sugli incidenti e la valutazione dell'efficacia del programma.
- 2.2 FREQUENZA DI ISPEZIONE:** i cordini devono essere ispezionati dal lavoratore<sup>1</sup> prima di ogni utilizzo. Inoltre, i controlli devono essere effettuati da una persona competente<sup>2</sup> diversa dall'utente. Condizioni di lavoro estreme (ambiente proibitivo, uso prolungato e così via) possono richiedere ispezioni più frequenti da parte della persona competente. La persona competente deve determinare gli intervalli di ispezione appropriati. Le procedure di ispezione sono descritte nella sezione "Registro di ispezione e manutenzione" (Tabella 2). I risultati dell'ispezione effettuata da una persona competente devono essere registrati nella sezione *Registro di ispezione e manutenzione* o registrati con il sistema RFID.
- 2.3 COMPATIBILITÀ DEI COMPONENTI:** salvo laddove diversamente indicato, l'attrezzatura 3M è progettata solo per l'utilizzo con componenti e sottosistemi approvati da 3M. Eventuali sostituzioni con componenti o sottosistemi non approvati potrebbero compromettere la compatibilità dell'attrezzatura, nonché la sicurezza e l'affidabilità di tutto il sistema.
- 2.4 COMPATIBILITÀ DEI CONNETTORI:** i connettori sono considerati compatibili con gli elementi di collegamento quando sono progettati per essere utilizzati in modo che le rispettive forme e dimensioni non causino l'apertura involontaria dei meccanismi di chiusura, indipendentemente dal modo in cui si orientano. In caso di dubbi sulla compatibilità, contattare 3M. I connettori (ganci, moschettoni e anelli a D) devono essere in grado di supportare almeno 22 kN (5.000 libbre). I connettori devono essere compatibili con l'ancoraggio o altri componenti del sistema. Non utilizzare attrezzature non compatibili. I connettori non compatibili potrebbero sganciarsi involontariamente (vedere Figura 4). I connettori devono essere compatibili per dimensioni, forma e potenza. I ganci a doppia leva e i moschettoni autobloccanti sono obbligatori. Se l'elemento di collegamento a cui è agganciato un gancio a doppia leva o un moschettone ha una forma irregolare o le dimensioni sono inferiori a quanto necessario, l'elemento di

**1 Operaio:** qualsiasi persona protetta dalla caduta da un sistema di protezione anticaduta attivo o, nel caso di un sistema d'arresto caduta, una persona che potrebbe cadere mentre è collegata al sistema.

**2 Persona competente:** individuo designato dal datore di lavoro come responsabile della diretta supervisione, implementazione e monitoraggio del programma di protezione anticaduta dei dipendenti. Individuo che, grazie a formazione e conoscenza, è in grado di individuare, valutare e affrontare i pericoli di caduta potenziali ed esistenti e che ha l'autorizzazione del datore di lavoro di mettere prontamente in atto azioni correttive nei confronti di tali pericoli.

collegamento potrebbe applicare una forza al dispositivo di chiusura del gancio a doppia leva o del moschettone (A). Tale forza potrebbe indurre l'apertura del dispositivo di chiusura (B) e, di conseguenza, il gancio doppia leva o il moschettone potrebbe sganciarsi dal punto di collegamento (C).

**2.5 REALIZZAZIONE DEI COLLEGAMENTI:** i ganci doppia leva e i moschettoni utilizzati con questa attrezzatura devono disporre di un meccanismo di autobloccaggio. Accertarsi che i connettori siano di dimensioni, forma e forza compatibili. Non utilizzare attrezzature non compatibili. Accertarsi che tutti i connettori siano completamente chiusi e bloccati. I connettori 3M (ganci a doppia leva e moschettoni) sono progettati solo per l'utilizzo specificato nelle istruzioni per l'utente di ciascun prodotto. Vedere la Figura 5 per esempi di collegamenti non appropriati. Non collegare i ganci doppia leva e i moschettoni come descritto:

- A. A un anello a D a cui è collegato un altro connettore.
- B. In modo tale da indurre un carico sul dispositivo di chiusura. Non collegare ganci a scatto con ampia distanza tra gli anelli a D di dimensioni standard oppure oggetti simili in modo da indurre un carico sul dispositivo di chiusura in caso di torsione o rotazione del gancio o dell'anello a D, a meno che il gancio a doppia leva non sia dotato di dispositivo di chiusura da 16 kN (3.600 libbre).
- C. In un falso aggancio, dove le dimensioni o la forma dei connettori che si abbinano non sono compatibili e, senza conferma visiva, i connettori sembrano perfettamente fissati.
- D. Uno all'altro.
- E. Direttamente al nastro, al cordino di sicurezza o al collegamento diretto, a meno che le istruzioni del produttore relative al cordino di sicurezza e al connettore non consentano specificatamente tale collegamento.
- F. A qualsiasi oggetto di forma o dimensione tale da impedire la chiusura e il blocco del connettore a scatto o del moschettone o di causare il lancio.
- G. In un modo che non consente al connettore di allinearsi correttamente quando sotto carica.

### 3.0 INSTALLAZIONE E REGOLAZIONE

**3.1 PIANIFICAZIONE:** pianificare il sistema di protezione anticaduta prima di iniziare i lavori. Considerare tutti i fattori che possono influire sulla propria sicurezza prima, durante e dopo una caduta. Prendere in considerazione tutti i requisiti e le limitazioni definite nella Sezione 1.

**3.2 ANCORAGGIO:** Selezionare una posizione di ancoraggio con pericolo minimo di caduta libera e di caduta con pendolo (vedere la Sezione 1). Selezionare un punto di ancoraggio rigido capace di sostenere i carichi statici come descritto nella Sezione 1.

**3.3 COLLEGAMENTO DEL SUPPORTO PER IL CORPO:** i cordini di trattenuta/posizionamento sul lavoro devono essere usati con imbracatura integrale o cintura in vita. Per le applicazioni di trattenuta, collegare il cordino all'elemento di aggancio (anello a D) appropriato nell'imbracatura o nella cintura. Consultare le istruzioni incluse con l'imbracatura o cintura per altre applicazioni di arresto caduta e i collegamenti consigliati.

**3.4 COLLEGAMENTO AL CORDINO PER IL POSIZIONAMENTO SUL LAVORO:** quando si esegue il collegamento, assicurarsi che non si verifichino sganciamenti. (Vedere la Sezione 2.5 "Collegamenti"). Lo sganciamento avviene in caso di interferenza tra il gancio e il connettore accoppiato che causa l'apertura e il rilascio involontari del gancio.

**FASE 1:** Collegare il connettore di supporto della fune di bloccaggio (vedere la Figura 1) all'anello a D del lato sinistro o destro posizionato sulla cintura in vita o l'imbracatura completa dell'operatore.

**FASE 2:** Posizionare il cordino intorno a un ancoraggio sicuro che sia in grado di sostenere carichi di 12 kN (2 698 lb) o superiori. Verificare che il cordino sia fissato in modo da non scivolare o superare il punto di ancoraggio.

**FASE 3:** Collegare il connettore per corpo del cordino (vedere la Figura 1) all'anello a D sul lato opposto. Quando collegato, il gancio a doppia leva o il dispositivo di chiusura a moschettone deve essere rivolto verso l'esterno e lontano dall'utente.

**FASE 4:** Per accorciare la fune, tirare la cima direttamente verso il punto di ancoraggio. (Figura 6)

**FASE 5:** Fare in modo che la fune passi attraverso il regolatore quando ci si sporge all'indietro. Rilasciare il regolatore quando si trova nella posizione desiderata. (Figura 7)

**FASE 6:** Verificare che l'ancoraggio sia fissato, che i collegamenti siano appropriati e che la fune sia regolata:

- Forza di ancoraggio adeguata.
- Gancio a scatto e moschettone collegati in modo appropriato all'imbracatura completa o alla cintura in vita.
- Il cordino non deve scivolare o superare il punto di ancoraggio.
- Il cordino presenta una tensione adeguata.

Non utilizzare il gancio a doppia leva o il moschettone per un collegamento diretto alla fune. Entrambi i connettori devono essere collegati agli anelli a D del lato appropriato. Non utilizzare mai il cordino per il posizionamento sul lavoro regolabile con un solo connettore collegato all'imbracatura completa.

### 4.0 FUNZIONAMENTO

Coloro che utilizzano per la prima volta i cordini (cordini) o non li utilizzano di frequente devono rivedere le informazioni sulla sicurezza all'inizio di questo manuale prima di utilizzare il cordino.

**4.1 ISPEZIONE DEL LAVORATORE:** prima di ogni uso, ispezionare il cordino in base alla lista di controllo di ispezione nel Registro di ispezione e manutenzione (tabella 2). Se l'ispezione rivela condizioni non sicure o indica che il cordino è stato soggetto a danni o forze di caduta, deve essere ritirato dal servizio e distrutto.

**4.2 FUNZIONAMENTO:** Collegare sempre prima l'estremità del supporto per il corpo del cordino prima all'imbracatura

integrale o alla cintura in vita, quindi collegare l'estremità del cosciale a un ancoraggio idoneo. Ridurre sempre al minimo il gioco del cordino vicino a un pericolo di caduta, operando il più vicino possibile all'ancoraggio. Vedere la sezione 3 per i dettagli relativi al collegamento al supporto per il corpo e all'ancoraggio. Controllare regolarmente il fissaggio e / o gli elementi di regolazione durante l'uso.

**4.3 DOPO UNA CADUTA:** qualsiasi cordino sottoposto alle forze per l'arresto di una caduta o che mostri danni conformi con l'effetto delle forze d'arresto caduta, come descritto nel *Registro di ispezione e manutenzione (tabella 2)*, deve essere immediatamente ritirato dal servizio e distrutto.

## 5.0 ISPEZIONE

**5.1 FREQUENZA DI ISPEZIONE:** il cordino deve essere ispezionato agli intervalli definiti nella Sezione 2. Le procedure di ispezione sono descritte nella Sezione "*Registro di ispezione e manutenzione*" (Tabella 2).

*Condizioni di lavoro estreme (ambienti proibitivi, uso prolungato ecc.) possono richiedere un incremento nella frequenza dei controlli.*

**5.2 CONDIZIONI DI NON SICUREZZA O DIFETTO:** se l'ispezione rivela una condizione non sicura o difettosa, ritirare immediatamente il cordino dal servizio e distruggerlo per evitare di utilizzarlo inavvertitamente. I cordini non sono riparabili.

**5.3 DURATA DEL PRODOTTO:** la durata operativa dei cordini 3M dipende dalle condizioni di lavoro e dalla manutenzione. La vita utile massima può variare da 1 anno con uso intenso in condizioni estreme fino a 10 anni con uso leggero in condizioni moderate. L'articolo può rimanere in servizio finché è in grado di soddisfare i criteri di ispezione, fino a un massimo di 10 anni.

## 6.0 MANUTENZIONE, ASSISTENZA E STOCCAGGIO

*Non pulire né disinfettare i cordini con metodi diversi da quelli descritti nelle seguenti "Istruzioni di pulizia". L'impiego di altri metodi può avere effetti negativi sui cordini o sull'operatore.*

**6.1 PULIZIA:** le procedure di pulizia per i cordini sono le seguenti:

- Pulire periodicamente l'esterno del cordino utilizzando una soluzione a base di acqua e detergente. La temperatura dell'acqua non deve superare i 40 °C (104 °F). Posizionare il cordino in modo che l'acqua in eccesso possa essere espulsa. Non pulire a secco. Non stirare. Pulire le etichette secondo necessità.
- Risciacquare e asciugare accuratamente all'aria. Non asciugare applicando calore.

*Utilizzare detersivi senza candeggina per lavare i cordini. NON UTILIZZARE ammorbidenti o salviettine per asciugatrici durante il lavaggio e l'asciugatura dei cordini*

**6.2 MANUTENZIONE:** i cordini non sono riparabili. Se il cordino è stato sottoposto a danno o forza di caduta o in seguito a un'ispezione viene individuata una condizione di non sicurezza o difetto, ritirare immediatamente il cordino dal servizio e gettarlo via.

**6.3 STOCCAGGIO/TRASPORTO:** conservare e trasportare i cordini in un ambiente fresco, asciutto e pulito, lontano dalla luce diretta del sole. Evitare zone con vapori chimici. Ispezionare accuratamente il cordino dopo un periodo di stoccaggio prolungato.

## 7.0 ETICHETTE

La figura 8 illustra le etichette sui cordini e le relative posizioni. Tutte le etichette devono essere presenti sul cordino - vedere la Figura 1. Su ogni etichetta sono presenti le informazioni seguenti:

Figura di riferimento 8:	Descrizione:
①	Numero di modello
②	Numero di serie
③	Numero di lotto
④	Indirizzo del produttore
⑤	Vedere le istruzioni
⑥	Standard europeo
⑦	Marchio CE
⑧	Numero dell'organismo di controllo che esegue la conformità al tipo
⑨	Lunghezza
⑩	Mese di fabbricazione
⑪	Anno di fabbricazione
⑫	Indirizzo Web del produttore
⑬	Diametro della corda
⑭	Capacità



# ინფორმაცია უსაფრთხოების შესახებ

სამუშაო ზონის დაფიქსირების/გადაადგილების შემზღვეველი საჭიშრის გამოყენებამდე წაიკითხეთ, გაეცანით ინსტრუქციებში მითითებულ უსაფრთხოების მთელ ინფორმაციას და შეასრულეთ მისი მოთხოვნები. მოცემული ინსტრუქციების დაუცველობას შეიძლება მოყვას სხეულის სერიოზული დაზიანება ან სიკვდილი. მოცემული ინსტრუქციები უნდა გადაეცეს ამ მოწყობილობის მომხმარებელს. შეინახეთ ეს ინსტრუქციები მომავალში საცნობაროდ.

**დანიშნულება:**  
სამუშაო ზონის დაფიქსირების/გადაადგილების შემზღვეველი საჭიშარი არის ვარდნისაგან დაცვის სრული ინდივიდუალური სისტემის ნაწილი. სამუშაო ზონის დაფიქსირების/გადაადგილების შემზღვეველი საჭიშრების მიზანია დაიცვას მომხმარებელი ვარდნის საშიშროებისაგან ან ვარდნისგან. მისი გამოყენება დაუშვებელია სხვა პირობებში, როგორცაა (თუმცა ამით არ შემოიფარგლება): მასალის ჩატვირთა-გადმოტვირთვის სამუშაოები, გასართობი ან სპორტული საქმიანობა, ან სხვა საქმიანობა, რომელიც არ არის აღწერილი მომხმარებლის ინსტრუქციებში, არ არის ნებადართული 3M-ის მიერ და შეიძლება გამოიწვიოს სხეულის სერიოზული დაზიანება ან სიკვდილი. მოცემული მოწყობილობის გამოყენება ნებადართულია მხოლოდ სათანადოდ გაწვრთნილი მომხმარებლისათვის სამუშაო დანიშნულებით.

## ⚠ გაფრთხილება

სამუშაო ზონის დაფიქსირების/გადაადგილების შემზღვეველი საჭიშარი არის ვარდნისაგან დაცვის ინდივიდუალური სისტემის ნაწილი. ყველა მომხმარებელმა სრული ტრენინგი უნდა გაიაროს ვარდნის სანინალმდეგო ინდივიდუალური დაცვის სისტემის უსაფრთხო მონტაჟსა და გამოყენებაში. **მოცემული მოწყობილობის არასწორად გამოყენებას შეიძლება მოყვას სხეულის სერიოზული დაზიანება ან სიკვდილი.** ამ მოწყობილობის სათანადოდ შერჩევის, ექსპლუატაციის, დამონტაჟების, მოვლა-შენახვისა და ტექნიკური დოკუმენტაციის მიზნით მიიღეთ მოცემული მომხმარებლის ინსტრუქციები და დამამზადებლის ყველა რეკომენდაცია; მიმართეთ თქვენს ხელმძღვანელს ან დაუკავშირდით 3M-ის ტექნიკურ სამსახურს.

- **სამუშაო ზონის დაფიქსირების/გადაადგილების შემზღვეველი საჭიშრის გამოყენებასთან დაკავშირებული რისკების შესამცირებლად, რომელთა თავიდან არ აცილებას შეიძლება მოყვას სხეულის სერიოზული დაზიანება ან სიკვდილი:**
  - ეს მოწყობილობა მხოლოდ სამუშაო ზონის დასაფიქსირებლად ან გადაადგილების შესაზღვევად გამოიყენეთ. სამუშაო ზონის დასაფიქსირებელი საჭიშრები ისე უნდა გავიკეთოთ, რომ შეზღუდოს თავისუფალი ვარდნის დიაპაზონი ორ ფუტამდე (60,96 სმ) ან უფრო ნაკლებით, რათა რხევით ვარდნა მინიმუმამდე დავიდეს. სამუშაო ზონის დაფიქსირების/გადაადგილების შემზღვეველმა საჭიშრებმა მომხმარებელი უნდა დაიცვას ვარდნის საფრთხისგან.
  - ნურასოდეს გამოიყენებთ ამ საჭიშარს (ანუ საჭიშარს, რომელიც ენერჯის შთანთქმეული არაა), როგორც ვარდნის შეკავების პირველად მოწყობილობას.
  - გაუდამით შეამოწმეთ სისტემა და მისი ყველა კომპონენტი ყოველ გამოყენებამდე, მინიმუმ წელიწადში ერთხელ და ჩამოვარდნის შემთხვევაში. მოწყობილობა შეამოწმეთ მომხმარებლის ინსტრუქციების შესაბამისად.
  - თუ შემწმუმების დროს გამოვლინდება მოწყობილობის რაიმე სახიფათო მდგომარეობა ან დაზიანება, ამოიღეთ ის მოხმარებიდან და გაანადგურეთ.
  - ნებისმიერი მოწყობილობა ვარდნის შეკავების ან მასზე ძალის რაიმე ზემოქმედების შემდეგ დაუყოვნებლივ უნდა ამოიღოთ ექსპლუატაციიდან და გაანადგუროთ. იხილეთ მომხმარებლის ინსტრუქციები ან დაუკავშირდით 3M-ის ვარდნისაგან დაცვის განყოფილებას.
  - დარწმუნდით, რომ ყველა მაკავშირებელი ქვესისტემა (მაგ. საჭიშები) დაცული იყოს ყველა საფრთხისგან, მათ შორის (თუმცა ამით არ შემოიფარგლება): გადახლართვა სხვა მუშებთან, თავად თქვენთან, მოძრავ მოწყობილობებთან ან გარშემო მყოფ ობიექტებთან.
  - ვინაიდან სამაშველო ხაზი შეიძლება მჭრელ კიდეებს ან კუთხეებს მიედოს, აუცილებლად გამოიყენეთ მჭრელი კიდეებისაგან დაცვის შესაფერისი ტექნიკა.
  - დარწმუნდით იმაში, რომ მოწყობილობა საჭირო მოხმარებისათვის სათანადოდაა აღჭურვილი.
  - საჭიშრის ის ფეხი/ფეხები, რომლებსაც არ გამოვიყენებთ, მიაბაგრეთ საკიდრის დროებით სადგომზე/სადგომებზე (თუ აღჭურვილია).
  - საჭიშარს ნუ გადააბავთ და ნუ გადაკვანძავთ.
  - ნუ გადააჭარბებთ მომხმარებელთა დასაშვებ მაქსიმუმს.
  - დარწმუნდით, რომ ვარდნისაგან დამცავი სისტემები/ქვესისტემები, რომლებიც აწყობილია სხვა მწარმოებლების მიერ დამზადებული კომპონენტებისგან, იყოს თავსებადი და აკმაყოფილებდეს მოქმედი სტანდარტების მოთხოვნებს, მათ შორის, ANSI Z359 ან ვარდნისაგან დაცვის სხვა წესებს, სტანდარტებს და მოთხოვნებს. ამ სისტემების გამოყენებამდე ყოველთვის გაიარეთ კონსულტაცია კომპეტენტურ ან კვალიფიცირებულ პირთან.
- **სიმაღლეზე მუშაობასთან დაკავშირებული რისკების შესამცირებლად, რომელთა თავიდან არ აცილებას შეიძლება მოყვას სხეულის სერიოზული დაზიანება ან სიკვდილი:**
  - დარწმუნდით, რომ თქვენი ჯანმრთელობა ან ფიზიკური მდგომარეობა საშუალებას გაძლევთ უსაფრთხოდ გაუძლოთ სიმაღლეზე მუშაობის დროს არსებული ყველა ძალის ზემოქმედებას. გაიარეთ ექიმის კონსულტაცია თუ გექნებათ რაიმე შეკითხვა ამ მოწყობილობის გამოყენების უნართან დაკავშირებით.
  - არასოდეს არ გადააჭარბოთ ვარდნისაგან დამცავი მოწყობილობის ნებადართულ დატვირთვას.
  - არასოდეს არ გადააჭარბოთ თქვენი დამცავი მოწყობილობის თავისუფალი ვარდნის მაქსიმალურ მანძილს.
  - არ გამოიყენოთ ვარდნისგან დამცავი მოწყობილობა, რომელსაც არ ჩაუტარდება ექსპლუატაციამდე ან სხვა დაგეგმილი ინსპექტირება ან თუ არ ხართ დარწმუნებული თქვენი მიზნებით მოცემული მოწყობილობის გამოყენებაში ან გამოყენებისათვის მის ვარგისიანობაში. შეკითხვების შემთხვევაში დაუკავშირდით 3M-ის ტექნიკურ სამსახურს.
  - ზოგიერთ ქვესისტემა ან კომპონენტების კომბინაცია შეიძლება აფერხებდეს მოწყობილობის მუშაობას. გამოიყენეთ მხოლოდ თავსებადი მათემატიკები. ამ მოწყობილობის შეიძლება აფერხებდეს მოწყობილობის ინსტრუქციებში მითითებული საგან განსხვავებულ კომპონენტებთან ან ქვესისტემებთან ერთად გამოყენებამდე გაიარეთ 3M-ის კონსულტაცია.
  - გამოიყენეთ დამატებითი დამცავი საშუალებები მოძრავ მოწყობილობასთან (მაგ. საბურღი კოშკურას სახურავის ძალური ამძრავი), ელექტრულ საფრთხეებთან, ექსტრემალურ ტემპერატურაზე, ქიმიურ საფრთხეებთან, ასაფეთქებელ და ტოქსიკურ აირებთან, ბასრ კიდეებთან ან თქვენ თავზე არსებულ მასალასთან მუშაობის დროს, რომელიც შეიძლება დაგეგვთ თქვენ ან დაეცეს თქვენს ვარდნისაგან დამცავ მოწყობილობას.
  - გამოიყენეთ რკალის აფეთქების ან ცეხლით მუშაობის მოწყობილობები მალაქ ტემპერატურაზე მუშაობის დროს.
  - მოერიდეთ ზედაპირებს და საგნებს, რომლებმაც შეიძლება ზიანი მიაყენონ მომხმარებელს ან მოწყობილობას.
  - სიმაღლეზე მუშაობის დროს, დარწმუნდით რომ არსებობდეს საკმარისი თავისუფალი ვარდნის სიმაღლე.
  - არასოდეს არ შეეცდით და არ გადააკეთოთ ვარდნისგან დაცვის მოწყობილობა. მოწყობილობის რემონტი ნებადართულია მხოლოდ 3M-ის ან იმ პირების მიერ, რომლებსაც მისგან მიღებული აქვთ წერილობითი ნებართვა.
  - ვარდნისგან დაცვის მოწყობილობის გამოყენებამდე დარწმუნდით, რომ გაქვთ წინასწარ შემუშავებული გადარჩენის გეგმა, რომლის მიხედვითაც ინციდენტის შემთხვევაში სწრაფად შეძლებდით რეაგირებას.
  - ვარდნის შემთხვევაში, დაუყოვნებლივ მოითხოვეთ სამედიცინო დახმარება ჩამოვარდნილი მუშისათვის.
  - არ გამოიყენოთ სხეულის ღვედი ვარდნის შეჩერების საშუალებებისთვის. გამოიყენეთ მხოლოდ მთელი სხეულის მცველი ღვედი.
  - იმისათვის, რომ რხევით ვარდნა არ მოხდეს, ზუსტად აწვირეთ ვერტიკლის ქვეშ უნდა იმუშავოთ.
  - მოცემული მოწყობილობის გამოყენებაში მომხმარებლის დროს სავალდებულოა მეორადი დამცავი მოწყობილობის გამოყენება, რომელიც მომხმარებელს დაიცავს უეცარი ვარდნის საფრთხისგან.
  - ყოველთვის ატარეთ სათანადო ინდივიდუალური დაცვის მოწყობილობა მოწყობილობის/სისტემის მონტაჟის, გამოყენების ან ინსპექტირების დროს.

ამ მოწყობილობის გამოყენებამდე, ჩანერეთ პროდუქტის საიდენტიფიკაციო ინფორმაცია (იხილეთ სურათი 8) „შემომხდელისა და ტექნომსახურების ჟურნალის“ ცხრილში 2 ამ სახელმძღვანელოს უკანა ყდაზე.

ყოველთვის დარწმუნდით, რომ იყენებთ 3M-ის ინსტრუქციების სახელმძღვანელოს უახლეს ცვლილებას. ენჯით 3M-ის ვებგვერდს ან დაუკავშირდით 3M-ის ტექნიკურ მომსახურებებს განახლებული ინსტრუქციების სახელმძღვანელოებისთვის.

**აღწერა**

3M™ Protecta® Trigger™-ს საჭიმარი მოსარგები ენერჯის შთანთქმელი საჭიმრის დანიშნულებაა სამუშაო ადგილის დაფიქსირებაში მონაწილეობა. სამუშაო ზონის დაფიქსირების სისტემები, ჩვეულებრივ, შეიცავს მთელი სხეულის დამცველი ღვედს ან სამონტჟო სარტყელს, ერთ ჰოზიციში დასაფიქსირებელ საჭიმარსა და ვარდნის შემაჩერებელ სარეზერვო სისტემას. მოსარგები სისტემის მეშვეობით ადვილად შეგვიძლია საჭიმრის სიგრძის რეგულირება მისი გამოყენების დროს. ეს მოწყობილობა არ შეეფერება ვარდნის დამუხრუჭების მიზნებს და სამუშაო ადგილის დაფიქსირების დროს აუცილებელია დამატებითი ზომების მიღება ისეთი კომპლექსური მეთოდებით (მაგ., უსაფრთხოების ბადეები) ან ინდივიდუალური მოწყობილობებით (მაგ., ვარდნისგან შეჩერების სისტემები), რომლებიც დაგვიცავს სიმაღლიდან ვარდნისაგან.

სურათზე 1 მითითებულია სამუშაო ჰოზიციის საჭიმარი, რეგულირებადი სამუშაო ჰოზიციის საჭიმარი, რომელიც განხილულია მოცემულ ინსტრუქციაში. საკიდრის მოდელები არსებობს შემდეგი მახასიათებლების სხვადასხვა კომბინაციებით:

**ცხრილი 1 - სპეციფიკაციები**

<b>კომპონენტების სპეციფიკაციები</b>		
<b>სურათი 1 საცნობარო ინფორმაცია:</b>		<b>აღწერა:</b>
<b>სხეულის მაჩერებელი</b>	①	Trigger™ ბაგირის გამართვის მოწყობილობა
	②	AJ514/0
	③	AJ572/0
	④	AJ501/0
<b>ბაგირის საყრდენის მაერთებელი</b>	⑤	AJ523/0
	⑥	20LF
	⑦	AJ565/0
	⑧	AJ595/0
<b>ბაგირები</b>	⑨	სტატიკური ბაგირი - 10,5 mm (0,41 in.)
<b>დამატებითი ფუნქცია</b>	⑩	ცვეთის საწინააღმდეგო, ბაგირის საფარი სახელო
<b>ბაგირის ბოლო</b>	⑪	მარტივი კვანძი ბაგირის ბოლოს
<b>ეტიკეტები</b>	⑫	ეტიკეტები

**სისტემის მახასიათებლები**

<b>მუშაობის მახასიათებლები:</b>	
LY	საჭიმრის სიგრძე (იხილეთ სურათი 1).
დატვირთვის ზღვრები:	1 ჰირი რომლის კომბინირებული წონა (ტანსაცმლიანად, ხელსაწყოებიანად და ა.შ.) არ აღემატება: 140 კგ (309 გირვანქა/140,16 კგ)
სამუშაო ტემპერატურა	მინიმუმი: -35 °C (-31 °F) მაქსიმუმი: +57 °C (135 °F)

**მასალები:**

მოწყობილობა კორპუსის დეტალი:	უჟანგავი ფოლადის, ლეგირებული ფოლადის, ალუმინის შენადნობის, და რეზინის - 22 კნ (4946 ფუტი/2243,49 კგ) დამჭიმი დატვირთვა
ქარბინერები:	ლეგირებული ფოლადი, ალუმინი - 22 kN (4 946 lbf) მინიმუმი განვლვის ძალა
ჰუკსი:	ფოლადის, უჟანგავი ფოლადის და თუთიის ან ქრომირებული ზედაპირით - 22 კნ (4946 ფუტი/2243,49 კგ) დამჭიმი დატვირთვა
თოკი:	ნეილონი - 22 kN (4 946 lbf) განვლვის ძალა
საბაგირო საფარი:	პოლიესტერი, ნეილონი

## 1.0 გამოყენება

**1.1 მიზანი:** საჭიროები გათვალისწინებულია ვარდნის შეკავების ინდივიდუალური სისტემის კომპონენტების სახით (იხილეთ სურათი 2). მათ შეუძლია ვარდნის ენერჯის განბნევა, სხეულზე გადაცემული ყველა ძალის შეზღუდვა ან შეიძლება გამოყენებულ იქნეს სამუშაო პოზიციის დასაფიქსირებლად და შეკავების მიზნით, რაც დამოკიდებულია მათ ტიპზე. სურათზე 1 მითითებულია საჭიროების მოდელები, რომლებსაც შეეხება მოცემული სახელმძღვანელო. ისინი უმეტესად შეიძლება გამოყენებულ იქნეს იმ ვითარებაში, როდესაც საჭიროა მუშის მობილურობის და ვარდნისგან დაცვის კომბინაცია (მაგ. ინსპექტირების სამუშაო, ზოგადი მშენებლობა, ტექნომსახურების სამუშაო, ნავთობის მოპოვება, დახურული სამუშაო გარემო და სხვ.).

**1.2 სტანდარტები:** საჭიმარი აკმაყოფილებს სახელმწიფო ან რეგიონულ სტანდარტ(ებ)ს, როგორც ეს მოცემულია წინამდებარე ინსტრუქციების ყდაზე. ვარდნისგან ინდივიდუალური დაცვის სისტემის შესახებ დამატებითი ინფორმაცია იხილეთ სამუშაო უსაფრთხოებასთან დაკავშირებულ ადგილობრივ მოთხოვნებში. თუ ეს პროდუქტი ხელახლა გაიყიდება დანიშნულების ადგილის ქვეყნის გარეთ, გადამყიდველმა უნდა უზრუნველყოს ინსტრუქციების ადგილობრივ ენაზე გადათარგმნა იმ ქვეყანაში, სადაც პროდუქტს გამოიყენებენ.

**1.3 ტრენინგი:** ეს მოწყობილობა უნდა გამოიყენონ მხოლოდ იმ პირებმა, რომლებიც მომზადებული არიან მის სათანადო დანიშნულებით გამოყენებაში. მომხმარებელი ვალდებულია გაეცნოს მოცემულ ინსტრუქციებს და გაიაროს მომზადება მოცემული მოწყობილობის სათანადო მოვლასა და გამოყენებაში. მომხმარებელი ასევე უნდა იცნობდეს მის სამუშაო მახასიათებლებს, გამოყენების საზღვრებს და არასათანადო გამოყენების შედეგებს.

**1.4 მოთხოვნები:** მოცემული აღჭურვილობის გამოყენების დროს ყოველთვის მხედველობაში იქონიეთ მისი შემდეგი მუხედვები:

- **დატვირთვის ზღვრები:** საჭიროები ერთმა ადამიანმა უნდა გამოიყენოს, რომლის საერთო წონამ (ტანსაცმლიანად, იარაღებიანად და ა. შ.) უნდა დააკმაყოფილოს წონის დიაპაზონის მოთხოვნები, რომლებიც მოცემულია საჭიროის მოდელების 1-ლ სურათზე. დარწმუნდით, რომ სისტემის ყველა კომპონენტი აკმაყოფილებს დატვირთვის ზღვრებს, რომლებიც საჭიროა მოცემული მოწყობილობის მისი დანიშნულებით გამოყენებას.

- **ანკირება:** ვარდნის შეკავების სისტემებისთვის შერჩეული მთელი ანკირება უნდა უძლებდეს შემდეგ მინიმალურ სტატიკურ დატვირთვას იმ მიმართულებებით, რომლებიც დასაშვებია მთლიანი სისტემის მიერ:

A. 12 კნ ლითონის ანკირების შემთხვევაში ან 18 კნ ქსოვილების ანკირების შემთხვევაში არასერტიფიცირებული ანკირების გამოყენებისას ან

B. 2.ორჯერ უნდა აღემატებოდეს სერტიფიცირებული ანკირებისთვის გათვალისწინებულ მაქსიმალურ შეკავების ძალას

თუ ანკირების ტიპიდან გამომდინარე, დასაშვები იქნება ანკირებაზე ერთზე მეტი ვარდნის შეკავების სისტემის მიმაგრება, ზემოთ(1) და (2) პუნქტებში მითითებული ძალები უნდა გამრავლდეს ანკირებაზე მიმაგრებული სიტემების რაოდენობაზე.

- **რხევით ვარდნა:** რხევით ვარდნას ადგილი აქვს, როცა ანკირების წერტილი ვარდნის წერტილის ზუსტად ზევით არ არის. რხევით ვარდნისას რაიმე საგანზე დაჯახების ძალამ შეიძლება გამოიწვიოს სერიოზული დაზიანება (იხილეთ სურათი 3). რხევით ვარდნის შესაძლებლობის მინიმუმამდე დასაყვანად, უნდა ევადოთ რაც შეიძლება ზუსტად ანკირების წერტილის ქვეშ იმუშავოთ. ყოველთვის პოზიციის და / ან შევცვალოს ნებისმიერი, ისე რომ ანკარაგის წერტილი შენარჩუნებულია წელის დონეზე; თავისუფალი გადაადგილება შეზღუდულია მაქსიმუმ 0,6 მ (1,97 ფუტი).

- **საფრთხეები:** საფრთხის შემცველ გარემოში ან მოწყობილობის გამოყენება დამატებით სიფრთხილეს მოითხოვს, რათა თავიდან ავიცილოთ ადამიანის ან მოწყობილობის დაზიანება. საფრთხეები მოიცავს შემდეგს (მაგრამ არ შემოიფარგლება): მალალი ტემპერატურა, მწვავე ქიმიური ნივთიერებები, კოროზიული გარემო, მალალი ძაბვის ხაზები, ასაფეთქებლები ან ტოქსიკური აირები, მოძრავი მანქანა-დანადგარები ან თქვენს თავზე არსებული მასალა, რომელიც შეიძლება ჩამოვარდეს და მომხმარებელს ან ვარდნის შეკავების სისტემას დაეცეს. მოერიდეთ ისეთ ადგილში მუშობას, სადაც საჭიმარი შეიძლება გადაიკვეთოს ან გაებლანდოს მეორე მუშის საჭიმართან. მოერიდეთ ისეთ ადგილებში მუშობას, სადაც საგანი შეიძლება დაეცეს საჭიმარს, რაც გამოიწვევს საჭიმარის წონასწორობის დაკარგვის ან დაზიანების რისკს. არ გაატაროთ საჭიმარი ხელების ქვეშ ან ფეხებს შორის.

## 2.0 გამოყენება

**2.1 ვარდნისგან დაცვის და სამაშველო გეგმა:** დამქირავებელს შემუშავებული უნდა ჰქონდეს ვარდნისგან დაცვის და სამაშველო გეგმა. დამქირავებლის გეგმაში მითითებული უნდა იყოს დამსაქმებლის ვარდნისგან დაცვის პროგრამის მითითებები და მოთხოვნები, მათ შორის, დებულებები, მოვალეობები და ტრენინგი; ვარდნისგან დაცვის პროცედურები; ვარდნის საფრთხეების თავიდან აცილება და კონტროლი; სამაშველო პროცედურები; ინციდენტების გამოძიება და პროგრამის ეფექტურობის შეფასება.

**2.2 ინსპექტირების სიხშირე:** მუშამ საჭიროები უნდა შეამოწმოს<sup>1</sup> ყოველი გამოყენების წინ. ამასთანავე, ინსპექტირებები უნდა ჩაატაროს სხვა კომპეტენტურმა პირმა<sup>2</sup>, რომელიც არ არის მომხმარებელი. უკიდურეს სამუშაო პირობებში (მკაცრი გარემო, ხანგრძლივი გამოყენება და ა. შ.) შეიძლება უფრო ხშირად იყოს საჭირო კომპეტენტური პირის მიერ ინსპექტირება. კომპეტენტურმა პირმა უნდა განსაზღვროს ინსპექტირების სათანადო ინტერვალები. ინსპექტირების პროცედურები აღწერილია „შემოწმებისა და ტექნომსახურების ჟურნალში“ (ცხრილი 2). კომპეტენტური პირის მიერ შემოწმების შედეგები უნდა აისახოს „შემოწმებისა და ტექნომსახურების ჟურნალში“ ან ჩაინეროს რადიო სიხშირის იდენტიფიკაციის (RFID) სისტემის საშუალებით.

**2.3 კომპონენტების თავსებადობა:** თუ ეს სხვაგვარად მითითებული არაა, 3M-ის აღჭურვილობა გათვლილია მხოლოდ 3M-ის მიერ დამტკიცებულ კომპონენტებსა და ქვესისტემებში გამოსაყენებლად. ისეთი კომპონენტების ან ქვესისტემების გამოყენებამ ან შენაცვლებამ, რომლებიც დამტკიცებული არ არის, შეიძლება შეუთავსებლობის რისკი გამოიწვიოს და უარყოფითად იმოქმედოს მთლიანი სისტემის საიმედოობასა და უსაფრთხოებაზე.

**2.4 მაერთებლების თავსებადობა:** მაერთებლები შესაერთებელ ელემენტებთან თავსებადად მიიჩნევიან მაშინ, როცა ისინი ერთად სამუშაოდ არის შექმნილი და მათი ზომა და ფორმა ჩამკეტ მექანიზმს უცებ არ გახსნის მიუხედავად იმისა, თუ ისინი როგორ ორიენტაციას მიიღებენ. თავსებადობის შესახებ თუ რაიმე შეკითხვა გაგიჩნდებათ, დაუკავშირდით 3M-ს. მაერთებლებს (კაუჭები, კარაბინები და D-რგოლები) უნდა შეეძლოს, გაუძლონ მინიმუმ 22 კნ-ს (5000 გირვანქა/2267 კგ). მაერთებლები უნდა იყოს თავსებადი ანკირების წერტილებთან ან სისტემის სხვა კომპონენტებთან. ნუ გამოიყენებთ არათავსებად აღჭურვილობას. არათავსებადი მაერთებლები შეიძლება მოულოდნელად გაიხსნას

**1 მუშა:** ნებისმიერ პირი, რომელსაც იცავს ვარდნისგან დაცვის აქტიური სისტემა; ან, ვარდნის შეკავების სისტემის შემთხვევაში, ნებისმიერი პირი, რომელიც შეიძლება ჩამოვარდეს სისტემაზე მიმაგრების პერიოდში.

**2 კომპეტენტური პირი:** დამქირავებლის მიერ დანიშნული ინდივიდუალური პირი, რომელიც პასუხისმგებელია დამქირავებლის მიერ მართვადი ვარდნისგან დაცვის სისტემის უშუალო ხედამხედველობაზე, დანერგვაზე და მონიტორინგზე, რომელსაც მისი მომზადების და ცოდნის მეშვეობით, შეუძლია ყველა არსებული ან პოტენციური საფრთხის იდენტიფიკაცია, შეფასება და მოქმედებების შესრულება და რომელსაც გააჩნია დამქირავებლის ნებართვა მოცემულ საფრთხეებთან დაკავშირებით სასრავო გამოსასწორებელი ზომების მისაღებად.



(იხილეთ სურათი 4). მაერთებლები თავსებადი უნდა იყოს ზომით, ფორმითა და გამძლეობით. საჭიროა თვითჩამკვეტი სასხლეტი კაუჭები ან კარაბინები. თუ მაერთებელი ელემენტი, რომელზეც სასხლეტიანი კაუჭი ან კარაბინი მაგრდება, უფრო პატარა ზომისაა ან სხვა ფორმისაა, როგორც კი მას ძალა დაადგება, კაუჭის ან კარაბინის რაზა შეიძლება გაიხსნას (A). ძალის მოხვედრისას თუ რაზა გაიხსნება (B), სასხლეტიანი კაუჭი ან კარაბინი მიმაგრების წერტილიდან მოძვრება (C).

**2.5 მიერთება:** სასხლეტიანი კაუჭები ან კარაბინები, რომლებსაც ამ მოწყობილობასთან გამოიყენებთ, თვითჩამკვეტი უნდა იყოს. საგულდაგულოდ შეამოწმეთ, რომ ყველა მაერთებლის ზომა, ფორმა და გამძლეობა მოწყობილობასთან თავსებადი იყოს. ნუ გამოიყენებთ არათავსებად მოწყობილობას. შეამოწმეთ, რომ ყველა მაერთებელი ბოლომდე ჩაკეტილი ან ჩამჭდარი იყოს. 3M-ის მაერთებლები (სასხლეტი კაუჭები და კარაბინები) უნდა გამოვიყენოთ, როგორც მომხმარებლის შესაბამის ინსტრუქციებშია მითითებული. მე-5 სურათზე იხილეთ არასწორი მიერთებების მაგალითები. ნუ მიუერთებთ სასხლეტიან კაუჭებს და კარაბინებს:

- A. D-რგოლზე, რომელზეც სხვა შემაერთებელია მიერთებული.
- B. ისე, რომ რაზა მოხვდეს დატვირთვის ქვეშ. დიდძელიანი სასხლეტიანი კაუჭები არ უნდა შევუერთოთ სტანდარტული ზომის D-რგოლებს ან მსგავს საგნებს, რის გამოც რაზა აღმოჩნდება დატვირთვის ქვეშ თუ სასხლეტიანი კაუჭი ან D-რგოლი გადაიგრისება ან მოტრიალდება, გარდა იმ შემთხვევისა, თუ სასხლეტიანი კაუჭი ალჭურვილია 16 კნ (3600 გირვანქა/612 კგ) რაზით.
- C. ცრუ მიერთების შემთხვევაში, როდესაც მაერთებლების ზომა და ფორმა არ არის თავსებადი და ვიზუალური დადასტურების გარეშე, ისეთი შთაბეჭდილება რჩება, თითქოს მაერთებლები სრულად მიერთებულია.
- D. ერთმანეთზე.
- E. პირდაპირ ქსოვილის თასმაზე ან თოკის საჭიმარზე, ან ანკერულ საჭიმარზე (გარდა იმ შემთხვევებისა, როცა დამამზადებლის ინსტრუქციების თანახმად, როგორც საჭიმარზე, ასევე მაერთებელზე დაიშვება ასეთი გადაბმა).
- F. ნებისმიერ საგანს, რომლის ზომა და ფორმა ისეთია, რომ სასხლეტიანი კაუჭი ან კარაბინი არ ჩაიკეტება ან გამოძვრება.
- G. ისე, რომ დატვირთვის დროს მაერთებელი ვერ აღმოჩნდეს სწორ კოზიციში.

### 3.0 მონტაჟი და მორგება

- 3.1 დაგეგმვა:** მუშაობის დაწყებამდე დაგეგმეთ, თუ როგორ იმუშავებთ ვარდნისაგან დასაცავი სისტემით. გაითვალისწინეთ ყველა ის ფაქტორი, რომელმაც შეიძლება გავლენა იქონიოს თქვენს უსაფრთხოებაზე ვარდნამდე, ვარდნის დროს და ვარდნის შემდეგ. გაითვალისწინეთ მოთხოვნები და შეზღუდვები, რომლებიც აღწერილია 1-ლ თავში.
- 3.2 ანკირება:** აირჩიეთ ანკირების ადგილმდებარეობა იქ, სადაც თავისუფალი ვარდნისა და რხევის რისკი მინიმუმამდე დავა (იხილეთ 1-ლი თავი). აირჩიეთ ანკირების ხისტი წერტილი, რომელიც გაუძლებს 1-ლ თავში აღწერილ სტატიკურ დატვირთვას.
- 3.3 სხეულის საყრდენის მიერთება:** სრული სხეულის დამცავ ღვედზე ან სამონტაჟე სარტყელზე უნდა გამოიყენოთ შეკავების / სამუშაო კოზიციის დასაფიქსირებელი საჭიმარი. შეკავების რეჟიმში საჭიმარი მიუერთეთ შესაბამის სამაგრს (D-რგოლი) დამცავ ღვედზე ან სარტყელზე. საკიდრის ან ღვედის ინსტრუქციებში შეგიძლიათ ასევე იხილოთ ვარდნისაგან დაცვის სხვა სისტემები და რეკომენდებული სამაგრები.
- 3.4 მიუერთეთ სამუშაო კოზიციის საჭიმარს:** მიერთების დროს დარწმუნდით, რომ არ იყოს ხვეულის გამოსხლეტა. (პარაგრაფი 2.5 „მიერთებები“). ხვეულის გამოსხლეტა მოხდება, როცა კაუჭსა და მაუღლებელ მაერთებლებს შორის რაიმე დარღვევას ექნება ადგილი და კაუჭის რაზა მოულოდნელად გაიხსნება.

- ნაბიჯი 1: მიუერთეთ ბაგირის საყრდენის ჩამკვეტი მაერთებელი (იხ. სურათი 1) ოპერატორის საყრდენ სარტყელზე ან მთელი სხეულის დამცავ ღვედზე მდებარე D-რგოლის მარცხენა ან მარჯვენა მხარეს.
- ნაბიჯი 2: განათავსეთ საჭიმარი დამაგრებული ანკირების გარშემო, რომელიც უძლებს 12 kN (2 698 lb) ან მეტ დატვირთვას. შეამოწმეთ, რომ საჭიმარი დამაგრებული იყოს იმგვარად, რომ ვერ ჩამოცურდეს ან ვერ გასცდეს ანკირების წერტილს.
- ნაბიჯი 3: მიუერთეთ საჭიმარიანი სხეულის მაერთებელი (იხ. სურათი 1) მოპირდაპირე მხარეს D-რგოლს. მიერთებისას სასხლეტიანი კაუჭი ან კარაბინის რაზა მომხმარებლისგან უნდა იყოს გატრიალებული.
- ნაბიჯი 4: ბაგირის დასამოკლებლად მოქაჩეთ ბაგირის ბოლოს უშუალოდ ანკირების წერტილისკენ. (სურათი 6)
- ნაბიჯი 5: გაატარეთ ბაგირი გამართვის ხელსაწყოში უკან გადაწვისას. ხელი აუშვით ბაგირის გამართვის ხელსაწყოს როდესაც ის სასურველ კოზიციამდე იქნება. (სურათი 7)
- ნაბიჯი 6: დაადასტურეთ, რომ ანკირება დამაგრებულია, მიერთებები სწორეა და ბაგირი გამართულია.
  - ანკირების ადეკვატიური სიმტკიცე.
  - სასხლეტი კაუჭი და კარაბინი სწორედ მიერთებულია მთელი სხეულის დამცავ ღვედზე ან სამონტაჟო (მცველ) ღვედზე.
  - საჭიმარი დამაგრებულია იმგვარად, რომ ვერ ჩამოცურდეს ან ვერ გასცდეს ანკირების წერტილს.
  - საჭიმარის დაჭიმულობა სწორია.

არ გამოიყენოთ სასხლეტიანი კაუჭი ან კარაბინი ისევე ბაგირზე მისაერთებლად. ორივე მაერთებელი მიმაგრებული უნდა იყოს სათანადო გვერდით D-რგოლებზე. არასდროს გამოიყენოთ რეგულირებადი სამუშაო კოზიციის საჭიმარი როდესაც მხოლოდ ერთი მაერთებელია მიმაგრებული სრული სხეულის მცველ ღვედზე.

### 4.0 ექსპლუატაცია

თუ პირველად ან იშვიათად ვიყენებთ შთანთქმელ საჭიმრებს, მათ გამოყენებამდე უნდა გადავხედოთ „უსაფრთხოების ინფორმაციას“, რომელიც წინამდებარე სახელმძღვანელოს თავში წერია.

**4.1 მომხმარებლის მიერ შემოწმება:** ყოველი გამოყენების წინ, გულდასმით დაათვალიერეთ საჭიმარი მოვლა-შენახვის ჟურნალში მოცემული საკონტროლო ცხრილის მიხედვით(ცხრილი 2). თუ დათვალიერების დროს საფრთხის შემცველი მდგომარეობა გამოვლინდება ან გამოჩნდება, რომ საჭიმარი დაზიანებულია ან ვარდნის ძალას დაექვემდებარა, ეს საჭიმარი უნდა ამოვიღოთ ექსპლუატაციიდან და გავანადგუროთ.

**4.2 ექსპლუატაცია:** მე-2 სურათში ჩანს ჩვეულებრივი შეკავების/სამუშაო ადგილის დაფიქსირების მოწყობილობების შეერთებები. საჭიმრის ბოლო, რომელიც სხეულზე მაგრდება ყოველთვის ჯერ

უნდა მიუერთოთ სხეულის დამცველ ღვედს ან სამონტაჟე სარტყელს და მხოლოდ შემდეგ მიამაგრეთ თათი შესაფერის ანკერს. საჭიმრის მოშვების დონე ყოველთვის მინიმალურად შეამცირეთ ვარდნის საშიშროებასთან სიახლოვეში, რისთვისაც მუშაობის დროს იყავით ანკერაჟთან რაც შეიძლება ახლოს. სხეულის საყრდენი მოწყობილობისა და ანკირების შეერთების შესახებ დეტალები იხილეთ მე-3 თავში.

**4.3 ვარდნის შემდეგ:** ყველა საჭიმარი, რომელსაც დააწვება ვარდნის შეჩერების ძალა ან რომელსაც დაეტყობა ვარდნის შეჩერების დროს მიყენებული დაზიანებისათვის დამახასიათებელი დაზიანებები, როგორც ეს აღწერილია მონტაჟისა და მოვლა-შენახვის ჟურნალში (ცხრილი 2), დაუყოვნებლივ უნდა ამოვიღოთ ექსპლუატაციიდან და გავანადგუროთ.

**5.0 შემოწმება**

**5.1 შემოწმების სიხშირე:** ენერჯის შთანთქმელი საჭიმარი უნდა შევამოწმოთ მე-2 თავში მოცემულ ინტერვალებში. შემოწმების პროცედურები აღწერილია „შემოწმებისა და მოვლა-შეკეთების ჟურნალში“ (ცხრილი 2).

უკიდურეს სამუშაო პირობებში (მკაცრი გარემო, ხანგრძლივი გამოყენება და ა. შ.) შეიძლება უფრო ხშირად იყოს საჭირო შემოწმებები..

**5.2 როცა მოწყობილობა არაუსაფრთხო ან დეფექტურია:** თუ შემოწმების დროს გამოვლინდება მოწყობილობის რაიმე სახიფათო მდგომარეობა ან დაზიანება, დაუყოვნებლივ ამოიღეთ საჭიმარი მოხმარებიდან და გაანადგურეთ, რათა შემთხვევით ვინმემ არ გამოიყენოს. საჭიმრის შეკეთება დაუშვებელია.

**5.3 პროდუქტის ექსპლუატაციის ვადა:** 3M საჭიმრების მომსახურების ვადა განისაზღვრება მუშაობის პირობებითა და მისი ტექნომსახურებით. ექსპლუატაციის მაქსიმალური ვადაა 1 წლიდან (ექსტრემალური, ინტენსიური გამოყენების პირობებში) და 10 წლამდე (მსუბუქი, არაინტენსიური გამოყენების პირობებში). პროდუქტი ვარგისია მოხმარებისთვის მანამდე, სანამ უსაფრთხოების შემოწმებას წარმატებით გადის. ექსპლუატაციის ვადა არ უნდა გადააჭარბოს 10 წელს.

**6.0 მოვლა-შეკეთება, ტექნომსახურება და შენახვა**

საჭიმრების განმენდა და დეზინფიცირება აწარმოეთ მხოლოდ იმ მეთოდით, რომელიც მითითებულია "განმენდის ინსტრუქციებში" ქვემოთ. სხვა მეთოდებს შეიძლება უარყოფითი ზეგავლენა ჰქონდეს საჭიმარზე ან მომხმარებელზე

**6.1 განმენდა:** საჭიმრის განმენდის წესები შემდეგია:

- პერიოდულად განმინდეთ საჭიმრის გარე ნაწილი რბილი წყალხსნარით. წყლის ტემპერატურამ არ უნდა გადააჭარბოს 40 °C-ს (104 °F). ისე დაიჭირეთ საჭიმარი, რომ ზედმეტი წყალი იქიდან დაიწროს. ნუ ჩადებთ საშრობში. ნუ გააუთოვებთ. გაასუფთავეთ ეტიკეტები ინსტრუქციების მიხედვით.
- გაავლეთ და კარგად გააშრეთ ჰაერზე. ნუ გააშრობთ გახურებით.

საჭიმრების გასუფთავების დროს გამოიყენეთ სარეცხი საშუალება, რომელიც გამათეთრებელს არ შეიცავს. საჭიმრების განმენდის ან გაშრობის დროს „არავითარ შემთხვევაში“ არ უნდა გამოვიყენოთ ქსოვილის დამარბილებელი ან გასაშრობი ქაღალდები

**6.2 რემონტი:** საჭიმრის შეკეთება დაუშვებელია. თუ დათვალიერების დროს სახიფათო მდგომარეობა გამოვლინდება ან გამოჩნდება, რომ საჭიმარი დაზიანებულია ან ვარდნის ძალის ზემოქმედების ქვეშ მოხვდა, ეს საჭიმარი უნდა ამოვიღოთ ექსპლუატაციიდან და გავანადგუროთ.

**6.3 შენახვა/ტრანსპორტირება:** საჭიმრის შენახვა და ტრანსპორტირება უნდა მოხდეს გრილ, მშრალ და სუფთა გარემოში მზის სხივებისაგან დაცულად. მოარიდეთ ისეთ ადგილებს, სადაც ქიმიური ნივთიერებების ორთქლი შეიძლება არსებობდეს. დიდი ხნის განმავლობაში შენახვის შემდეგ ყოველთვის გულდასმით დაათვალიერეთ საჭიმარი.

**7.0 ეტიკეტები**

სურათი 8-ზე ჩანს საჭიმრების ეტიკეტები და ადგილები, სადაც ისინი აკრია. საჭიმარზე ყველა ეს ეტიკეტი უნდა ეკრას - იხ. სურათი 1. თითოეულ ეტიკეტზე მოცემულია შემდეგი ინფორმაცია:

იხილეთ სურათი 8:	აღწერა:
①	ოდელის ნომერი
②	სერია
③	პარტიის ნომერი
④	მწარმოებელი მწარმოებელი
⑤	იხილეთ ინსტრუქციები
⑥	ევროპული სტანდარტი
⑦	CE ნიშნები
⑧	უფლებამოსილი ორგანოს ნომერი, რომელიც ახორციელებს ტიპთან შესაბამისობას
⑨	სიგრძე
⑩	დამზადების თვე
⑪	დამზადების წელიწადი
⑫	მწარმოებლის ვებ-მისამართი
⑬	როპი დიამეტრი
⑭	გამძლეობა



## SAUGOS INFORMACIJA

Prieš naudodamiesi šiuo darbo padėties nustatymo / judėjimo sulaikymo kobiniu, perskaitykite visą šioje instrukcijoje pateiktą saugos informaciją, ją supraskite ir laikykitės jos. **TO NEPADARIUS GALIMA SUNKIAI SUSIŽALOTI ARBA ŽŪTI.**

Ši instrukcija turi būti pateikta šios įrangos naudotojui. Išsaugokite šią instrukciją, jeigu ateityje jos prireiktų.

### Numatytoji paskirtis

Šis darbo padėties nustatymo / judėjimo sulaikymo kobinys yra asmeninės apsaugos nuo kritimo sistemos dalis. Darbo padėties nustatymo / judėjimo sulaikymo kobiniai naudojami, siekiant naudotojui nepasiekti kritimo pavojaus padėties arba nepatekti į kritimo pavojų.

„3M“ nėra patvirtinusi jokios kitos paskirties, įskaitant, be apribojimų, medžiagų tvarkymą, poilsinę ar sporto veiklą arba bet kokią kitą šiose naudotojo instrukcijose neaprašytą veiklą, o taip naudojant galima sunkiai susižaloti arba žūti.

Šiuo įtaisu gali naudotis tik parengti darbuotojai darbo reikmėms.

## ĮSPĖJIMAS

Šis darbo padėties nustatymo / judėjimo sulaikymo kobinys yra asmeninės apsaugos nuo kritimo sistemos dalis. Tikimasi, kad visi naudotojai bus reikiamai išmokyti, kaip saugiai parengti ir naudotis savo asmenine apsaugos nuo kritimo sistema. **Netinkamai naudojantis šiuo įtaisu, galima sunkiai susižaloti arba žūti.** Kaip tinkamai pasirinkti, naudoti, parengti, prižiūrėti ir remontuoti, skaitykite šias naudotojo instrukcijas ir visas gamintojo rekomendacijas, kreipkitės į savo viršininką arba „3M“ techninę tarnybą.

- **Kaip sumažinti riziką, kuri gali kilti dirbant su darbo padėties nustatymo / judėjimo sulaikymo kobiniu ir kurios neišvengus galima sunkiai susižaloti arba mirti.**
  - Šį įtaisą naudokite tik darbo padėčiai nustatyti arba su judėjimo sulaikymo priemonėmis. Darbo padėties nustatymo kobiniai turi būti sukonfigūruoti taip, kad laisvojo kritimo atstumas būtų apribotas iki 61 cm (2 pėdų) arba mažesnio ir sumažintas supamasis kritimas. Judėjimo sulaikymo kobiniai turi neleisti naudotojui pasiekti kritimo pavojaus padėties arba nepatekti į kritimo pavojų.
  - Niekada nenaudokite šio kobinio (t. y. energijos nesugeriančio kobinio) kaip pagrindinio kritimo stabdymo įtaiso.
  - Patikrinkite įtaisą prieš kiekvieną naudojimą, bent kartą per metus ir nukritus. Tikrinkite vadovaudamiesi naudotojo instrukcija.
  - Jeigu patikrinus aptiktumėte nesaugią įtaiso būklę ar defektų, įtaisų nebesinaudokite ir sunaikinkite jį.
  - Būtina pasirūpinti, kad įtaisu, kuris buvo paveiktas kritimo arba smūgio jėgos, niekas nebesinaudotų. Skaitykite naudoto instrukciją arba susisiekite su „3M“ konsultantais.
  - Pasirūpinkite, kad visos jungiamosios posistemės (pvz., diržiniai kobiniai) būtų apsaugotos nuo pavojų, įskaitant, be apribojimų, nuo kitų darbininkų, Jūsų pačių, judančių įrangos ar kitų netoliese esančių objektų kliudymo.
  - Jeigu yra gelbėjimo virvės sąlyčio su aštriomis briaunomis ar kampais galimybė, pasirūpinkite, kad būtų naudojama tinkama įtaiso apsauga.
  - Pasirūpinkite, kad įtaisas būtų tinkamai sumontuotas pagal paskirtį.
  - Prijunkite nenaudojamą (-as) kobinio atšaką (-as) prie specialiai tam skirtų apraish laikiklių (jeigu įrengti).
  - Nedarykite kobinio mazgų ar kilpų.
  - Neviršykite leistino naudotojų skaičiaus.
  - Įsitikinkite, kad apsaugos nuo kritimo sistemos ir posistemės, surinktos iš skirtingų gamintojų pagamintų komponentų, būtų suderinamos ir atitiktų taikomų standartų reikalavimus, įskaitant ANSI Z359 ar kitas taikomas apsaugos nuo kritimo normas, standartus ir reikalavimus. Prieš naudodamiesi šiomis sistemomis visada pasitarkite su kompetentingu arba kvalifikuotu asmeniu.
- **Kaip sumažinti riziką, galinčią kilti dirbant dideliame aukštyje, kurios neišvengus galima sunkiai susižaloti arba mirti.**
  - Būkite tikri, kad dėl savo sveikatos ir fizinės būklės galėsite saugiai atlaikyti visas su darbu dideliame aukštyje susijusias jėgas. Jeigu turite kokių nors klausimų dėl savo gebėjimo naudotis šia įranga, pasitarkite su gydytoju.
  - Niekada neviršykite savo apsaugos nuo kritimo įrangos leidžiamos laikomosios galios.
  - Niekada neviršykite savo apsaugos nuo kritimo įrangos maksimalaus laisvojo kritimo atstumo.
  - Niekada nesinaudokite apsaugos nuo kritimo įranga, kuri nepereina prieš naudojimą atliekamos ar kurios nors kitos planinės patikros, arba jeigu turite nuogaštavimų dėl įrangos naudojimo ar tinkamumo norimai paskirčiai. Visais klausimais kreipkitės į „3M“ technines tarnybas.
  - Kai kurie posistemų ir komponentų deriniai gali mažinti šios įrangos funkcionalumą. Naudokite tik suderinamas jungtis. Jeigu norite naudoti šią įrangą su kitais nei šiose naudotojo instrukcijose aprašytais komponentais ar posistemėmis, pasitarkite su „3M“.
  - Dirbdami šalia judančių mašinų (pvz., naftos bokšto viršutinės pavaros), kuriose yra elektros pavojų, kraštutinėje temperatūroje, esant cheminių pavojų, sprogių ar nuodingų dujų, prie aštrių briaunų ar po kabančiomis medžiagomis, kurios gali nukristi ant Jūsų ar apsaugos nuo kritimo įrangos, būkite ypač atsargūs.
  - Dirbdami aukštos temperatūros aplinkoje naudokite kategorijos „Arc Flash“ arba „Hot Works“ įtaisus.
  - Venkite paviršių ir daiktų, kurie gali pakenkti naudotojui arba įrangai.
  - Dirbdami dideliame aukštyje pasirūpinkite, kad būtų pakankamas laisvasis kritimo aukštis.
  - Niekada nemodifikuokite ir nekeiskite savo apsaugos nuo kritimo įrangos. Šią įrangą gali taisyti tik „3M“ arba jos raštu įgalioti subjektai.
  - Prieš naudodamiesi apsaugos nuo kritimo įranga pasirūpinkite, kad būtų parengtas gelbėjimo planas, pagal kurį būtų galima greitai išgelbėti, jeigu įvyktų kritimo incidentas.
  - Įvykus kritimo incidentui nedelsdami pasirūpinkite nukritusio darbuotojo medicinine apžiūra.
  - Kritimo stabdymo sistemoms nenaudokite kūno diržo. Naudokite tik viso kūno apraišus.
  - Išvenkite supamojo kritimo galimybes dirbdami kiek galima tiesiau po inkaravimo vieta.
  - Jeigu mokomasi naudotis šiuo įtaisu, antroji apsaugos nuo kritimo sistema turi būti naudojama taip, kad nekeltų besimokančiajam nenumatyto kritimo pavojaus.
  - Parengdami, naudodamiesi arba tikrindami įtaisą ar sistemą visuomet naudokite atitinkamas asmenines apsaugos priemones.

Prieš naudodamiesi šia įranga, įrašykite gaminio identifikacijos informaciją (žr. 8 paveikslą) į šios instrukcijos gale esantį „Tikrinimo ir priežiūros žurnalą“ (2 lentelė).

Visada įsitikinkite, kad vadovaujatės naujausio leidimo 3M naudotojo vadovu. Norėdami gauti atnaujintą naudotojo vadovą, apsilankykite 3M svetainėje arba susisiekite su 3M techninės pagalbos tarnybomis.

## APRAŠYMAS

Reguliuojamasis kobinys „3M™ Protecta® TRIGGER™“ skirtas naudoti su asmenine darbo padėties nustatymo sistema. Darbo padėties nustatymo sistemose paprastai būna viso kūno apraišos arba kūno diržas, padėties nustatymo kobinys ir pagalbinė asmeninė kritimo stabdymo sistema. Reguliavimo sistema galima lengvai reguliuoti kobinio ilgį naudojimo metu. Ši įranga neskirta kritimui stabdyti ir tam būtina darbo padėties nustatymo įrangą papildyti kolektyvinėmis (pvz., saugos tinklai) arba asmeninėmis (pvz., kritimo stabdymo sistemos) apsaugos nuo kritimo iš aukščio priemonėmis.

1 paveiksle pavaizduotas šioje instrukcijoje aprašomas Reguliuojamasis darbo padėties nustatymo kobinys. Siūlomi skirtingi modeliai su įvairiais toliau nurodytų ypatybių deriniais.

### 1 lentelė. Specifikacijos

<b>KOMPONENTŲ SPECIFIKACIJOS</b>		
<b>Žymuo 1 paveiksle</b>		<b>Aprašas</b>
<b>Kūno jungtis</b>	①	„Trigger™“ lyno reguliavimo įtaisas
	②	AJ514/0
	③	AJ572/0
	④	AJ501/0
<b>Lyno laikymo jungtis</b>	⑤	AJ523/0
	⑥	20LF
	⑦	AJ565/0
	⑧	AJ595/0
<b>Lynai</b>	⑨	Statiškas lynas – 10,5 mm (0,41 in.)
<b>Papildoma ypatybė</b>	⑩	Atspari dilimui apsauginė lyno apmova
<b>Lyno galas</b>	⑪	Paprastas mazgas lyno gale
<b>Etiketės</b>	⑫	Etiketės

### **SISTEMOS SPECIFIKACIJOS**

#### **Eksplotacinės charakteristikos**

LY	Kobinio ilgis (žr. 1 paveikslą).
Laikomoji galia	1 asmuo, kurio bendras svoris (su drabužiais, įrankiais ir kt.) neviršija: 140 kg (309 sv.)
Naudojimo temperatūra	Minimali: –35 °C (–31 °F) Maksimali: +57 °C (135 °F)

#### **Medžiagos**

Įtaiso kūno komponentas	Nerūdijantysis plienas, legiruotasis plienas, aliuminio lydinys ir guma – 22 kN (4 946 sv.) tempiamasis stipris
Karabininiai:	Legiruotasis plienas, Aliuminis - 22 kN (4 946 lbf) Minimali Atsparumas tempimui
Kabliai:	Plienas, nerūdijantysis ir cinkuotas arba chromuotas plienas – 22 kN (4 946 sv.) tempiamasis stipris
Virves:	Nailonas - 22 kN (4 946 lbf) Atsparumas tempimui
Virves vāks:	Poliesteris, Nailonas

## 1.0 NAUDOJIMAS

- 1.1 PASKIRTIS.** Kobiniai yra asmeninės kritimo stabdymo sistemos (žr. 2 paveikslą) dalis. Jie gali paskirstyti kritimo energiją, apriboti kūnui perduodamą kritimo jėgą arba, priklausomai nuo tipo, juos galima naudoti darbo padėčiai nustatyti ir judėjimui sulaukyti. 1 paveiksle pavaizduoti kobinių modeliai, kuriems skirta ši naudojimo instrukcija. Juos galima naudoti daugeliu aplinkybių, kai būtinas darbuotojų mobilumo ir apsaugos nuo kritimo derinys (t. y., tikrinimo darbams, statybose, techninės priežiūros darbuose, naftos gavyboje, dirbant ankštoje erdvėje ir kt.).
- 1.2 STANDARTAI.** Šie kobiniai atitinka instrukcijos viršelyje nurodytus šalies arba regiono standartus. Papildomos informacijos apie asmenų apsaugą nuo kritimo pateikta vietos darbo saugos taisyklėse. Jeigu šis gaminys perparduodamas ne toje šalyje, kuriai yra skirtas, perpardavėjas turi pateikti šią instrukciją tos šalies, kurioje gaminys bus naudojamas, valstybine kalba.
- 1.3 MOKYMAI.** Ši įranga skirta naudotis asmenims, kurie yra tinkamai paruošti ja naudotis. Galutinis naudotojas savo atsakomybe turi pasirūpinti, kad jie būtų supažindinti su šiais nurodymais ir parengti tinkamai prižiūrėti ir naudotis šia įranga. Naudotojai turi žinoti ir naudojimo charakteristikas, paskirties ribas ir netinkamo naudojimo pasekmes.
- 1.4 REIKALAVIMAI.** Įrengdami šią įrangą ir naudodamiesi ja visuomet turėkite omenyje toliau nurodytus apribojimus.
- **Laikomoji galia.** Kobiniai skirti naudoti vienam asmeniui, kurio bendrasis svoris (įskaitant rūbus, įrankius ir kt.) atitinka 1 lentelė nurodytą konkretaus modelio svorio intervalą. Pasirūpinkite, kad visų sistemos elementų laikomoji galia atitiktų darbo poreikius.
  - **Inkaravimas.** Kritimo sulaukymo sistemoms parinkti inkarai turi išlaikyti ne mažesnes nei toliau nurodytos statines apkrovas, veikiančia visomis galimomis kryptimis:
    - A. metaliniai inkarai – 12 kN (2 698 lb), tekstiliniai nesertifikuoti inkarai – 18 kN (4 047 lb) arba
    - B. du kartus didesnę apkrovą, nei didžiausia sertifikuotų inkarų sulaukymo jėga.Jeigu leidžiama pagal inkaro tipą, kai prie inkaravimo įtaiso pritvirtinta daugiau nei viena kritimo stabdymo sistema, 1 ir 2 punktuose nurodytos apkrovos dauginamos iš sistemų, pritvirtintų prie inkaravimo įtaiso, skaičiaus.
  - **Supamasis kritimas.** Supamasis kritimas įvyksta, kai inkaravimo vieta yra ne tiesiai virš kritimo vietos. Dėl supamojo kritimo atsitrenkiant į objektą susidaranti jėga gali sukelti sunkių sužalojimų (žr. 3 paveikslą). Išvenkite supamojo kritimo galimybes dirbdami kiek galima tiesiau po inkaravimo vieta. Visada pastatykite ir / arba sureguliuokite diržą taip, kad tvirtinimo taškas būtų išlaikytas juosmens lygyje arba virš jos; diržas yra įtemptas; laisvas judėjimas yra ne didesnis kaip 0,6 m (1,97 pėdos).
  - **Pavojai.** Naudojantis šia įranga vietose, kur yra aplinkinių pavojų, gali reikėti imtis papildomų atsargumo priemonių naudotojo susižalojimui arba įrangos pažeidimui išvengti. Tokie pavojai gali būti šie ir kiti: didelis karštis, edrios cheminės medžiagos, korozinė aplinka, aukštos įtampos elektros linijos, sprogios arba toksiškos dujos, judančios mašinos ir medžiagos virš galvos, kurios gali nukristi ir pataikyti į naudotoją arba kritimo stabdymo sistemą. Nedirbkite ten, kur kobiniai gali susikryžiuoti arba susipainioti su kito darbuotojo įranga. Nedirbkite ten, kur daiktai gali kristi ir pataikyti į kobinį ir taip pargriauti žmogų arba pažeisti kobinį. Kobinys negali eiti po rankomis arba tarp kojų.

## 2.0 NAUDOJIMAS

- 2.1 APSAUGOS NUO KRITIMO IR GELBĖJIMO PLANAS.** Darbdavys turi turėti Apsaugos nuo kritimo ir gelbėjimo planą. Plane turi būti pateiktos gairės ir reikalavimai pagal darbdavio parengtą apsaugos nuo kritimo programą, įskaitant taisykles, pareigas ir parengimą; apsaugos nuo kritimo procedūras; kritimo pavojų pašalinimą ir kontrolę; gelbėjimo procedūras; nelaimingų atsitikimų tyrimus ir programos veiksmingumo įvertinimą.
- 2.2 TIKRINIMO DAŽNUMAS.** Kobinius darbuotojas privalo tikrinti kiekvieną kartą<sup>1</sup> prieš naudodamasis jais. Be to, patikrinimą turi būti atlikti kompetentingas asmuo<sup>2</sup>, ne naudotojas. Sunkiomis darbo sąlygomis (nepalanki aplinka, ilgalaikis naudojimas ir kt.) kompetentingam asmeniui gali reikėti tikrinti dažniau. Kompetentingas asmuo turi nustatyti tinkamus tikrinimo intervalus. Tikrinimo procedūros aprašytos *Tikrinimo ir techninės priežiūros žurnale (2 lentelė)*. Kompetentingo asmens patikros rezultatai turi būti įrašyti į Tikrinimo ir priežiūros žurnalą arba įrašyti į radijo dažnio identifikavimo (angl. Radio Frequency Identification, RFID) sistemą.
- 2.3 KOMPONENTŲ SUDERINAMUMAS.** Jeigu kitaip nenurodyta, „3M“ įranga yra skirta naudoti tik su „3M“ patvirtintais komponentais ir posistemėmis. Pakaitalai naudojant nepatvirtintus komponentus ar posistemas gali pakenkti įrangos suderinamumui ir sumažinti visos sistemos saugą ir patikimumą.
- 2.4 JUNGČIŲ SUDERINAMUMAS.** Jungtys laikomos suderinamomis su jungiamaisiais elementais, jeigu jie sukonstruoti naudoti vieni su kitais, tad jų dydis ir forma tokia, jog jų fiksavimo mechanizmai negalėtų netyčia atsидaryti, kad ir kokia kryptimi pasisuktų. Jeigu turite klausimų dėl suderinamumo, kreipkitės į „3M“. Jungtys (kabliai, karabinai ir jungiamieji žiedai) turi atlaikyti ne mažesnę kaip 22 kN (5 000 sv.) apkrovą. Jungtys turi būti suderinamos su inkaravimo ir kitais sistemos komponentais. Nenaudokite nesuderinamos įrangos. Nesuderinamos jungtys gali netyčia atsikabinti (žr. 4 paveikslą). Jungtys turi būti suderinamos dydžio, formos ir tvirtumo požiūriu. Kabliai su saugikliais ir karabinai turi būti savaime užsifiksuojantys. Jeigu jungiamasis elementas, prie kurio tvirtinamas karabininis kablys arba karabinas, yra per mažas arba netinkamos formos, gali susidaryti sąlygos, kai jungiamasis elementas spaudžia karabininio kablio arba karabino fiksatorių (A). Ši jėga gali atidaryti fiksatorių (B), todėl karabininis kablys arba karabinas atsikabintų nuo jungimosi vietos (C).

**1 Darbuotojas.** Aktyvia apsaugos nuo kritimo sistema apsaugotas asmuo, o kritimo sulaukymo sistemos atveju – kristi galintis prie sistemos prijungtas asmuo.

**2 Kompetentingas asmuo.** Asmuo, darbdavio paskirtas atsakingu už tiesioginę darbdavio parengtos apsaugos nuo kritimo programos priežiūrą, įgyvendinimą ir stebėjimą, kuris dėl parengimo ir žinių gali nustatyti, įvertinti ir imtis priemonių dėl esamų arba galimų kritimo pavojų ir kuris turi darbdavio įgaliojimą nedelsdamas imtis taisomųjų veiksmų tokių pavojų atžvilgiu.

- 2.5 SUJUNGIMAS.** Su šia įranga naudojami karabininiai kabliai ir karabinai turi būti užsifiksuojantieji. Pasirūpinkite, kad jungtys būtų suderinamos dydžio, formos ir tvirtumo požiūriu. Nenaudokite nesuderinamos įrangos. Pasirūpinkite, kad visos jungtys būtų iki galo uždarytos ir užfiksuotos. „3M“ jungtys (karabininiai kabliai ir karabinai) skirti naudoti tik kaip nurodyta kiekvieno gaminio naudotojo instrukcijose. Netinkamų jungčių pavyzdžiai parodyti 5 paveiksle. Nejunkite karabininių kablių ir karabinų toliau išvardytais būdais.
- Prie jungiamojo žiedo, prie kurio jau prijungta kita jungtis.
  - Taip, kad fiksatorius būtų veikiamas apkrovos. Plačiai atsiveriantys karabininiai kabliai neturi būti jungiami prie standartinio dydžio jungiamųjų žiedų ar panašių komponentų, dėl kurių angą veiktu apkrova arba jungiamasis žiedas būtų sukamas, nebent karabininio kablio užraktas atlaiko 16 kN (3 600 sv.).
  - Netinkamai susikabinus, kai tarpusavyje jungiamų jungčių dydis ar forma nesuderinami, jie gali atrodyti tinkamai susikabinę, jeigu nėra gerai apžiūrima.
  - Vieno su kitu.
  - Tiesiogiai su diržiniu arba lyniniu kobiniu arba prieraišu (nebent kobinio ir jungties gamintojo instrukcijose konkrečiai leidžiama taip jungti).
  - Prie daikto, kurio forma ar matmenys tokie, kad karabininis kablys arba karabinas neužsidaro ir neužsifiksuoja arba jungiamas elementas gali išslysti.
  - Tokiu būdu, kad apkrovos veikiamą jungtį negali užimti tinkamos padėties.

### 3.0 MONTAVIMAS IR NUSTATYMAS

- 3.1 PLANAVIMAS** Prieš pradėdami dirbti suplanuokite savo apsaugos nuo kritimo sistemą. Atsižvelkite į visus veiksnius, kurie gali lemti saugą prieš kritimą, jo metu ir po to. Laikykitės visų 1 skyriuje nustatytų reikalavimų ir apribojimų.
- 3.2 INKARAVIMAS** Pasirinkite inkaravimo vietą taip, kad būtų kuo mažesnis laisvojo kritimo atstumas ir supimosi pavojus (žr. 1 skyrių). Pasirinkite tvirtą inkaravimo vietą, galinčią atlaikyti 1 skyriuje nurodytas statines apkrovas.
- 3.3 KŪNO ATRAMOS JUNGTIS** Fiksavimo / darbo padėties kobinys naudojamas su viso kūno apraišomis arba kūno diržu. Naudodami fiksavimo įrangą prijunkite kobinį prie norimų apraišų arba diržo tvirtinimo elemento (D tipo žiedo). Kitos kritimo apsaugos priemonės ir rekomenduojami apraišų sujungimai aprašyti kartu su apraišais arba diržu tiekiamoje instrukcijoje.
- 3.4 PRIJUNGIMAS PRIE DARBO PADĖTIES NUSTATYMO KOBINIO:** Jungdami užtikrinkite, kad negalėtų įvykti išsprūdimas. (Žr. 2.5 poskyrį „Jungtys“) Kablys išsprūsta tada, kai dėl jo bei jungiamojo elemento sąveikos kablio fiksatorius netyčia atsidaro ir atsilaisvina.
- 1 ETAPAS:** Prijunkite fiksuojamąjį lyno laikymo jungtį (žr. 1 paveikslą) prie kairiojo arba dešiniojo jungiamojo žiedo, esančio ant operatoriaus kūno diržo arba viso kūno apraišų.
  - 2 ETAPAS:** Apjuoskite kobiniu patikimą inkaravimo elementą, kuris gali atlaikyti ne mažesnę kaip 12 kN (2 698 lb) apkrovą. Patikrinkite, ar kobinys pritvirtintas taip, kad negalėtų nuslysti žemyn arba atsilaisvinti nuo inkaravimo vietos.
  - 3 ETAPAS:** Prijunkite kobinio kūno jungtį (žr. 1 paveikslą) prie kitos pusės jungiamojo žiedo. Prijungus, karabininio kablys arba karabino fiksatorius turi būti nukreiptas į išorę ir nuo naudotojo.
  - 4 ETAPAS:** Norėdami sutrumpinti lyną, patraukite galą tiesiai link inkaravimo taško. (6 paveikslas)
  - 5 ETAPAS:** Atsilošdami leiskite lynui slinkti per reguliatorių. Kai reguliatorius bus norimoje padėtyje, atleiskite jį. (7 paveikslas)
  - 6 ETAPAS:** Patikrinkite, ar saugiai inkaruota, tinkamai sujungta ir sureguliuotas lynas:
    - Inkaravimo elementas pakankamo stiprumo.
    - Karabininis kablys ir karabinas tinkamai prijungti prie viso kūno apraišų arba kūno diržo.
    - Kobinys negali nuslysti žemyn arba nuo atsilaisvinti inkaravimo vietos.
    - Kobinys tinkamai įtemptas.

*Nenaudokite karabininio kablio arba karabino prisijungti prie lyno. Abi jungtys turi būti prijungtos prie atitinkamų šoninių jungiamųjų žiedų. Niekada nenaudokite reguliuojamojo darbo padėties nustatymo kobinio tik su viena prie viso kūno apraišų pritvirtinta jungtimi.*

### 4.0 NAUDOJIMAS

*Pirmą kartą arba retai naudojantys kobinius, iš pradžių privalo perskaityti šios instrukcijos pradžioje pateiktą saugos informaciją.*

- 4.1 DARBUOTOJO PATIKRINIMAS** Kiekvieną kartą prieš naudojantis tikrinkite kobinius; naudokitės kontroliniu tikrinimo sąrašu, kuris pateiktas „Tikrinimo ir priežiūros žurnale“ (2 lentelė). Jei tikrinimo metu pastebėtumėte nesaugią būklę arba kobinio pažeidimų, taip pat jei kobinis yra paveiktas kritimo metu veikiančių jėgų, tokį kobinį būtina išmontuoti ir sunaikinti.
- 4.2 NAUDOJIMAS** Visuomet pirmiausia prijunkite kobinio kūno atramos galą prie viso kūno apraišų arba kūno diržo, o tada prijunkite atšakos galą prie tinkamo inkaro. Visuomet, kritimo pavojaus zonoje dirbkite kuo arčiau tvirtinimo vietos, kad sumažintumėte kobinio laisvumą. Daugiau informacijos apie kūno atramos ir tvirtinimo įtaisų jungtis rasite 3 skyriuje. Naudojimo metu reguliariai tikrinkite tvirtinimo ir (arba) reguliavimo elementus.
- 4.3 PO KRITIMO KOBINIŲ,** kurie yra paveikti stabdymo jėgų ar pažeisti, kaip aprašyta „Tikrinimo ir priežiūros žurnale“ (2 lentelė), toliau naudoti negalima ir būtina sunaikinti.

## 5.0 PATIKRINIMAS

5.1 **TIKRINIMO DAŽNIS** kabiniai turi būti tikrinami 2 skyriuje nurodytais intervalais. Patikros procedūros aprašytos „Tikrinimo ir priežiūros žurnale“ (2 lentelė).

*Sunkiomis darbo sąlygomis (nepalanki aplinka, ilgalaikis naudojimas ir kt.) tikrinimus būtina vykdyti dažniau.*

5.2 **NESAUGI BŪKLĖ ARBA DEFEKTAI.** Jei patikros metu aptinkamas defektas ar nesaugi įrangos būklė, kabinio nebenaudokite ir sunaikinkite, kad niekas atsitiktinai negalėtų juo pasinaudoti. Kabinų negalima remontuoti.

5.3 **GAMINIO EKSPLOATACIJOS** laikas 3M kabinio eksploatacijos laikas priklauso nuo darbo sąlygų ir priežiūros. Eksploatacijos trukmė gali būti 1 metai, jei įranga naudojama intensyviai ir (arba) ekstremaliomis sąlygomis, ir iki 10 metų, jei naudojama retai ir (arba) įprastomis sąlygomis. Jeigu gaminys atitinka patikros kriterijus, juo galima naudotis iki 10 metų.

## 6.0 TECHNINĖ PRIEŽIŪRA, REMONTAS IR LAIKYMAS

*Nevalykite ir nedezinfekuokite kabinų jokia kitu būdu nei aprašyta „Valymo instrukcijoje“. Naudojant kitus būdus galima pakenkti kabinui arba naudotojui.*

6.1 **VALYMAS.** Toliau aprašomos kabinio valymo procedūros.

- Reguliariai plaukite kabinio išorę vandeniniu ir švelnaus muilo tirpalu. Vandens temperatūra neturi viršyti 40 °C (104 °F). Kabinį laikykite taip, kad vandens perteklius nubėgtų. Nenaudokite cheminio valymo. Nelyginkite. Jeigu reikia, nuplaukite etiketes.
- Išskalaukite ir kruopščiai išdžiovinkite. Nekaitinkite.

*Plaunant kabinus naudokite priemones be baliklio. Plaunant ir džiovinant kabinus NEGALIMA naudoti audinių minkštiklių ir sausavimo lakštų.*

6.2 **PRIEŽIŪRA** Kabinų negalima remontuoti. Jeigu kabinys yra paveiktas kritimo metu veikiančių jėgų arba patikrinus pastebėta nesaugi būklė ar defektai, kabinui nebenaudokite ir sunaikinkite jį.

6.3 **LAIKYMAS IR TRANSPORTAVIMAS** Kabinus laikykite ir transportuokite vėsioje, sausoje ir švarioje aplinkoje, be tiesioginės saulės šviesos. Venkite vietų, kur gali kauptis cheminių medžiagų garai. Prieš naudojant ilgiau nenaudotus kabinus atidžiai juos patikrinkite.

## 7.0 ETIKETĖS

8 pav. pavaizduotos etiketės, tvirtinamos prie kabinų, ir jų tvirtinimo vietos. Ant kabinio pritvirtintos turi būti visos etiketės - žr. 1 paveikslą.

Etiketėse pateikiama informacija:

Žr. 8 paveikslą:	Aprašymas
①	Modelį numurs
②	Serijos numeris
③	Partijos numeris
④	Gamintojo adresas
⑤	Žr. instrukciją
⑥	Europos standartas
⑦	CE markėjums
⑧	Notifikuotosios įstaigos, atlikusios tipo atitikties patikrinimą, numeris.
⑨	Ilgis
⑩	Notifikuotosios įstaigos, atlikusios tipo atitikties patikrinimą, numeris.
⑪	Pagaminimo metai
⑫	Gamintojo interneto adresas
⑬	Virvės skersmuo
⑭	Apkrova





## INFORMĀCIJA PAR DROŠU DARBU

Pirms šīs stropes pozicionēšanai darba vietā/pārvietošanās ierobežošanai lietošanas, lūdzu, izlasiet, saprotiet un ievērojiet visu šajos norādījumos sniegto informāciju par drošu darbu. **NORĀDĪJUMU NEIEVĒROŠANA VAR IZRAISĪT NOPIETNU IEVAINOJUMU VAI NĀVI.**

Šie norādījumi obligāti jāizsniedz ekipējuma lietotājam. Saglabājiet šos norādījumus, lai varētu tos izmantot arī turpmāk.

### Paredzētais lietojums

Šī štrope pozicionēšanai darba vietā/pārvietošanās ierobežošanai ir paredzēta izmantošanai par daļu no pilnas individuālās kritiena aizsardzības sistēmas. Štrope pozicionēšanai darba vietā/pārvietošanās ierobežošanai tiek izmantotas, lai novērstu lietotāja nonākšanu līdz kritiena briesmām vai pakļaušanu tām.

Citādu lietojumu: tajā skaitā, bet ne tikai materiālu pārkraušanā, atpūtas vai sporta aktivitātēs vai citās aktivitātēs, kas šajos Norādījumos lietotājam nav aprakstītas, 3M nav apstiprinājis, un lietošana neparedzētiem nolūkiem var izraisīt smagu ievainojumu vai nāvi.

Šī ierīce paredzēta lietošanai darba vietā tikai apmācītiem lietotājiem.

## BRĪDINĀJUMS!

Šī štrope pozicionēšanai darba vietā/pārvietošanās ierobežošanai ir daļa no individuālās kritiena aizsardzības sistēmas. Paredzēts, ka visiem lietotājiem jābūt pilnībā apmācītiem individuālās kritiena aizsardzības sistēmas uzstādīšanā un lietošanā. **Nepareizs šīs ierīces lietojums var izraisīt nopietnu ievainojumu vai nāvi.** Pareizas izvēles, lietošanas, uzturēšanas, uzturēšanas un apkopes nolūkos skatiet šos Norādījumus lietotājam un visas ražotāja rekomendācijas, konsultējieties ar savu tiešo vadītāju vai sazinieties ar 3M tehnisko dienestu.

- **Lai mazinātu riskus, kas saistīti ar darbu ar štropi pozicionēšanai darba vietā/pārvietošanās ierobežošanai un kas, ja no tiem neizvairās, var izraisīt nopietnu ievainojumu vai nāvi:**
  - Lietojiet šo ierīci tikai pozicionēšanai darba vietā/pārvietošanās ierobežošanai. Štrope pozicionēšanai darba vietā jākonfigurē tā, lai ierobežotu brīva kritiena attālumu līdz 60 cm vai mazāk, un samazinātu svārsta kritienu. Štropēm pārvietošanās ierobežošanai jānovērš lietotāja nonākšana līdz kritiena briesmām vai pakļaušana tām.
  - Nekad nelietojiet šo štropi (t.i., enerģiju neabsorbējošu štropi) kā primāro kritiena bloķēšanas ierīci.
  - Pirms katras lietošanas, vismaz reizi gadā un pēc katra kritiena pārbaudiet ierīci. Pārbaudiet atbilstoši Norādījumiem lietotājam.
  - Ja pārbaudē tiek konstatēts nedrošs vai defektīvs stāvoklis, izņemiet šo ierīci no lietošanas un iznīciniet to.
  - Visas ierīces, kas tikušas pakļautas kritiena bloķēšanai vai triecienspēkam, nekavējoties jāizņem no lietošanas. Skatiet Norādījumus lietotājam vai sazinieties ar 3M Fall Protection.
  - Nodrošiniet, ka visas savienojamās apakšsistēmas (piem., štropes) ir pilnībā pasargātas no visiem bojājumiem, tajā skaitā, bet ne tikai sapsīšanās ar citiem strādniekiem, jūsu pašu, kustīgām ierīcēm vai citiem tuvumā esošiem priekšmetiem.
  - Nodrošiniet pareizu šķautņu aizsardzību, ja ierīce var nākt saskarē ar asām šķautnēm vai stūriem.
  - Pārliedzieties, ka ierīce ir uzstādīta atbilstoši paredzētajam pielietojumam.
  - Pievienojiet štrope neizmantojams daļas ievērošanas stiprinājumiem, ja tādi ir.
  - Nesasieniet štropi un neveidojiet mezglus.
  - Nepārsniedziet atļauto lietotāju skaitu.
  - Pārliedzieties, ka visas kritiena aizsardzības sistēmas/apakšsistēmas, kas sastāv no atšķirīga ražojuma elementiem, ir savstarpēji saderīgas un atbilst piemērojamajiem standartiem, ieskaitot ANSI Z359 vai citus piemērojamus kritiena aizsardzības kodeksus, standartus vai prasības. Pirms šo sistēmu lietošanas vienmēr konsultējieties ar kompetentu vai kvalificētu personu.
- **Lai mazinātu riskus, kas saistīti ar darbu augstumā un kas, ja no tiem neizvairās, var izraisīt nopietnu ievainojumu vai nāvi:**
  - Pārliedzieties, ka jūsu veselības un fiziskais stāvoklis ļauj jums droši izturēt visu ar darbu augstumā saistīto slodzi. Ja jums ir kādi jautājumi par savu spēju šo ekipējumu lietot, konsultējieties ar ārstu.
  - Nekad nepārsniedziet savu kritiena aizsardzības ekipējuma veiktspēju.
  - Nekad nepārsniedziet savu kritiena aizsardzības ekipējuma maksimālo brīvā kritiena distanci.
  - Neizmantojiet nekādu kritiena aizsardzības ekipējumu, kas nav izturējis pirmslietošanas vai citas plānotās pārbaudes, vai, ja jums ir bažas par ekipējuma piemērotību vai lietošanu jūsu vajadzībām. Ar visiem jautājumiem vērsieties pie 3M tehniskā dienesta.
  - Dažas apakšsistēmu un sastāvdaļu kombinācijas var traucēt šī ekipējuma darbību. Lietojiet tikai saderīgus savienojumus. Pirms šī ekipējuma lietošanas savienojumā ar tādām sastāvdaļām vai apakšsistēmām, kas nav aprakstīti šajos Norādījumos lietotājam, konsultējieties ar 3M.
  - Strādājot kustīgu ierīču tuvumā (piem., naftas platformu augšējās piedziņas sistēmās), apstāklis, kad pastāv elektriskās strāvas triecienu, pārmērīgu temperatūru, ķīmiskā apdraudējuma, sprādzienbīstamu vai toksisku gāzu, asu šķautņu radīts risks, vai zem materiāliem, kas var uzkrīst jums vai jūsu kritiena aizsardzības ekipējumam, ievērojiet īpašu piesardzību.
  - Strādājot lielā karstumā, lietojiet Arc Flash vai Hot Works iekārtas.
  - Izvairieties no virsmām un priekšmetiem, kas var kaitēt lietotājam vai ekipējumam.
  - Strādājot augstumā, nodrošiniet pienācīgu kritiena klīrensu.
  - Nekad nepārveidojiet un nepārtaisiet savu kritiena aizsardzības ekipējumu. Ekipējumu labot drīkst tikai 3M vai no 3M rakstisku atļauju saņēmušas personas.
  - Pirms kritiena aizsardzības ekipējuma lietošanas pārliedzieties, ka pastāv spēkā esošs glābšanas plāns, kas kritiena gadījumā ļauj veikt tūlītējus glābšanas darbus.
  - Kritiena gadījumā nekavējoties izsaučiet medicīnisko palīdzību kritušā aprūpei.
  - Neizmantojiet ķermeņa jostu kritiena bloķēšanai. Izmantojiet tikai ķermeņa pilnēkipējumu.
  - Lai pēc iespējas samazinātu svārsta kritienu, pēc iespējas strādājiet tieši zem enkurpunkta.
  - Mācoties lietot šo iekārtu, jāizmanto papildu kritiena aizsardzības sistēma tādā veidā, kas nepakļauj apmācāmo neparedzēta kritiena riskam.
  - Uzstādot, lietojot vai pārbaudot ierīci/sistēmu, vienmēr lietojiet atbilstošu individuālo aizsardzības ekipējumu.

Pirms šī ekipējuma lietošanas reģistrējiet izstrādājuma identifikācijas datus (skatīt 8. attēlu) šīs rokasgrāmatas beigās esošajā „Pārbaudes un apkopes žurnālā” 2. tabulā.

Vienmēr pārliecinieties, vai izmantojat jaunāko 3M instrukciju rokasgrāmatu. Apmeklējiet 3M vietni vai sazinieties ar 3M tehnisko dienestu, lai saņemtu atjauninātu instrukciju rokasgrāmatu.

## APRAKSTS

3M™ Protecta® TRIGGER™ regulējama štrope ir paredzēta izmantošanai personiskā darba pozicionēšanas sistēmā. Līdzekļi darba pozīcijām parasti ietver ķermeņa pilnekipējumu vai ķermeņa jostu, pozicionēšanas štropi un individuālo kritiena bloķēšanas rezerves sistēmu. Noregulēšanas sistēmai ir iespēja viegli noregulēt štropes garumu lietošanas laikā. Šis aprīkojums nav piemērots kritienu novēršanas nolūkiem, to ir nepieciešams papildināt darba pozicionēšanai ar kolektīvajiem aizsardzības līdzekļiem (piemēram, drošības tīkliem) vai individuālajiem aizsardzības līdzekļiem (piemēram, kritiena novēršanas sistēmām), lai aizsargātu no kritieniem no augstuma.

1. attēlā parādīta Regulējama darba pozīcijas atsaite, kas aplūkota šajā instrukcijā. Dažādi modeļi ir pieejami ar dažādu tālāk norādīto elementu komplektāciju:

### 1. tabula – Specifikācijas

<b>ELEMENTU SPECIFIKĀCIJAS</b>		
<b>1. attēla norāde:</b>		<b>Apraksts:</b>
<b>Ķermeņa pievienotājs</b>	①	TRIGGER™ Virves pielāgošanas ierīce
	②	AJ514/0
	③	AJ572/0
	④	AJ501/0
<b>Virves atbalsta savienotājs</b>	⑤	AJ523/0
	⑥	20LF
	⑦	AJ565/0
	⑧	AJ595/0
<b>Virves</b>	⑨	Statiskā virve - 10,5 mm (0,41 in.)
<b>Papild elements</b>	⑩	Nodilumizturīga virves noseģšanas aizsarguzmava
<b>Virves gala formāts</b>	⑪	Vienkāršs mezgls virves galā
<b>Marķējums</b>	⑫	Marķējums

<b>SISTĒMAS SPECIFIKĀCIJAS</b>	
<b>Veiktspēja:</b>	
LY	Štropes garums (skatīt 1. attēlu).
Kapacitāte:	1 persona ar kopējo svaru (apģērbs, instrumenti u.c.) ne lielāku par: 140 kg (309 lb.)
Darba temperatūra:	Minimālā: -35 °C (-31 °F) Maksimālā: +57 °C (135 °F)

<b>Materiāli:</b>	
Ierīces korpusa sastāvdaļa:	Nerūsējošais tērauds, tērauda sakausējumi, alumīnija sakausējumi un gumija - 22 kN (2244 kilogrami) stiepes izturība
Karabīnes:	Tērauda sakausējums, Alumīnijs - 22 kN (4 946 lbf) Minimālā Stiepes stiprība
Āķi:	Tērauds, nerūsējošais tērauds un cinka vai hromēts pārklājums - 22 kN (2244 kilogrami) stiepes izturība
Virves:	Neilons - 22 kN (4 946 lbf) Stiepes stiprība
Virviu dangteliņi:	Poliesters, Neilons

## 1.0. IZMANTOŠANA

- 1.1. NOLŪKS.** Štropes ir paredzētas lietošanai kā daļa no personas kritiena bloķēšanas sistēmas (skatiet 2. attēlu). Tās var izkļaidēt krišanas enerģiju, ierobežot pret ķermeni vērstos kritiena spēkus vai tās var izmantot darba pozicionēšanai un ierobežošanai atkarībā no to veida. Šajā lietošanas rokasgrāmatā iekļautās štropes parādītas 1. attēlā. Tās var lietot vairumā situāciju, kur nepieciešama strādājošā mobilitātes un kritienu aizsardzības kombinācija (t.i., inspekcijas darbos, vispārējos celtniecības darbos, apkopes darbos, naftas ieguvē, darbam šaurā telpā utt.).
- 1.2. STANDARTI.** Jūsu štrope atbilst nacionāliem un reģionāliem standartiem, kas norādīti uz šīs rokasgrāmatas priekšējā vāka. Iepazīstieties ar vietējām prasībām, kas nosaka darba drošību, par papildu informāciju personas krišanas aizsardzībai. Ja šo izstrādājumu atkārtoti pārdod ārpus sākotnējās izcelsmes valsts, tālāk pārdevējam jānodrošina, lai šī instrukcija būtu pieejama tās valsts valodā, kur šo izstrādājumu lieto.
- 1.3. APMĀCĪBA.** Šo aprīkojumu ir paredzēts lietot personām, kas apmācītas tā pareizā uzlikšanā un lietošanā. Lietotājs ir atbildīgs par iepazīšanos ar šiem norādījumiem un apmācību par pareizu šī aprīkojuma aprūpi un lietošanu. Lietotājiem jāzina darba raksturojums, izmantošanas ierobežojumi un nepareizas lietošanas sekas.
- 1.4. PRASĪBAS.** Pirms šī aprīkojuma uzstādīšanas vai lietošanas vienmēr ņemiet vērā tālāk minētos ierobežojumus.
- **Kapacitāte.** Štropes paredzētas lietošanai vienai personai ar kopējo svaru (apģērbs, rīki utt.), kas atbilst svara diapazonam, norādītajam 1. tabula konkrētajam štropes modelim. Pārlicinieties, ka visu jūsu sistēmas elementu kapacitāte ir atbilstoša nepieciešamajam lietojumam.
  - **Enkurojums.** Kritiena bloķēšanas sistēmām izvēlētajam enkurojumam jāspēj izturēt statistiskās slodzes, kas pielietotas jebkurā visas sistēmas atļautajā virzienā vismaz:
    - A. 12 kN (2 698 lb) metāla enkuriem vai 18 kN (4 047 lb) tekstila enkuriem nesertificētiem enkurējumiem, vai
    - B. dubultu maksimālo bloķēšanas spēku sertificētiem enkurējumiem.Ja, pamatojoties uz enkura veidu, ir atļauts pievienot enkurējumam vairāk nekā vienu kritiena bloķēšanas sistēmu, iepriekš (1) un (2) norādītie spēku jāpārbauda ar enkurējumam pievienoto sistēmu skaitu.
  - **Svārsta kritieni.** Svārsta efekta izraisīti kritieni notiek, kad enkurs punkts neatrodas tieši virs punkta, kur notiek kritiens. Spēks, ar kādu notiek sadursme ar priekšmetu svārsta kritiena laikā, var izraisīt smagu ievainojumu (skatiet 3. attēlu). Lai pēc iespējas samazinātu svārsta kritienu, pēc iespējas strādājiet tieši zem enkurspunkta. Vienmēr novietojiet un / vai neregulējiet siksnu tā, lai stiprinājuma punkts tiktu saglabāts vidukļa līmenī vai virs tā; siksnā ir nostiprināta; un brīva pārvietošanās nepārsniedz 0,6 m (1,97 pēdas).
  - **Riski.** Šī aprīkojuma izmantošana vietās, kur pastāv apkārtēji riski, prasa papildu piesardzības pasākumus, lai samazinātu lietotāja traumas iespēju vai aprīkojuma bojājumu. Riski var ietvert, bet nav ierobežoti ar: lielu karstumu, kodīgām ķīmiskajām vielām, kodīgu vidi, augstsprieguma līnijas, sprādzienbīstamas vai indīgas gāzes, kustīgas mašīnas vai materiālus virs galvas, kas var krist un saskarties ar lietotāju vai kritiena bloķēšanas sistēmu. Izvairieties strādāt vietā, kur jūsu štrope var krustot vai sapīties ar cita strādājošā štropi. Izvairieties strādāt, kur var krist kāds objekts un uzkrīst štropei, kas izraisa līdzsvara zudumu vai štropes bojājumu. Neļaujiet štropei nokļūt zem rokām vai starp kājām.

## 2.0. LIETOŠANA

- 2.1. KRITIENA AIZSARDZĪBA UN GLĀBŠANAS PLĀNS.** Darba devējam jābūt ieviestam kritiena aizsardzības un glābšanas plānam. Plānam jāsniedz vadlīnijas un prasības darba devēja vadītā kritiena aizsardzības programmai, ieskaitot politikas, pienākumus un apmācību; kritiena aizsardzības procedūras; kritiena riska novērtēšanu un kontroli; glābšanas procedūras; negadījumu izmeklēšanu; un programmas efektivitātes izvērtēšanu.
- 2.2. PĀRBAUDES BIEŽUMS.** Strādājošajam jāpārbauda štrope<sup>1</sup> pirms katras lietošanas. Papildus tam, pārbaudes jāveic kompetentai personai,<sup>2</sup> kas nav lietotājs. Ekstrēmos darba apstākļos (skarba vide, ilgstošs lietojums u.c.) var būt nepieciešamas biežākas kompetentu personu veiktas pārbaudes. Kompetentai personai jānosaka piemēroti pārbaudes intervāli. Pārbaudes procedūras aprakstītas sadaļā "Pārbaudes un apkopes žurnāls" (2. tabula). Visu kompetentas personas veiktu pārbažu rezultāti jāfiksē "Pārbažu un apkopes žurnālā" vai jāieraksta Radio frekvences identifikācijas sistēmā (RFID).
- 2.3. ELEMENTU SAVIETOJAMĪBA.** Ja nav norādīts citādi, 3M aprīkojumu paredzēts lietot tikai kopā ar 3M apstiprinātiem elementiem un apakšsistēmām. Aizvietošana vai nomaīņa, izmantojot neapstiprinātus elementus vai apakšsistēmas, var apdraudēt ekipējuma savietojamību un var ietekmēt visas sistēmas drošumu un uzticamību.
- 2.4. SAVIENOTĀJU SAVIETOJAMĪBA.** Savienojumi ir savietojami ar savienojošajiem elementiem, kad tie ir paredzēti lietošanai kopā tādā veidā, ka to izmēri un forma neizraisa to slēdzēj mehānismu nejaušu atvēršanos neatkarīgi no novietojuma virziena. Ja jums ir jautājumi par savietojamību, sazinieties ar 3M. Savienotājiem (āķiem, karabīnēm un D-gredzeniem) jāspēj izturēt vismaz 22 kN (5 000 mārc.) liela slodze. Savienotājiem jābūt savietojamiem ar enkurojumu un citiem sistēmas elementiem. Neizmantojiet nesavietojamu ekipējumu. Nesavietojami savienojumi var negaidīti atvienoties (skatiet 4. attēlu). Savienotājiem jābūt savietojamiem izmēra, formas un izturības ziņā. Jāizmanto pašnoslēdzošie fiksējošie āķi un karabīnes. Ja savienojošais elements, kam pievienots fiksējošais āķis vai karabīne, ir pārāk mazs vai neregulāras formas, var veidoties situācija, kad savienojošais elements spiež uz fiksējošā āķa vai karabīnes slēdzēj mehānismu (A). Šāds spiediens var izraisīt slēdzēj mehānisma atvēršanos (B), ļaujot fiksējošam āķim vai karabīnei atvienoties no savienojuma punkta (C).

**1 Strādājošais:** jebkura persona, kas tiek aizsargāta no krišanas ar aktīvu kritiena aizsardzības sistēmu vai kritiena bloķēšanas sistēmas gadījumā - persona, kas varētu krist, esot pievienota sistēmai.

**2 Kompetentā persona:** darba devēja noteikts indivīds, kas atbildīgs par tiešo darba devēja vadīto kritiena aizsardzības programmas uzraudzību, ieviešanu un monitorēšanu, kas, pateicoties apmācībai un zināšanām, spēj identificēt, novērtēt un risināt esošus un iespējamus kritiena riskus, un kam ir darba devēja pilnvarojums veikt tūlītēju koriģējošu darbību attiecībā uz šādiem riskiem.

- 2.5. SAVIENOJUMU VEIDOŠANA.** Kopā ar šo ekipējumu jāizmanto tikai pašnoslēdzošies fiksējošie āķi un karabīnes. Pārlicinieties, ka visi savienojumi ir izmēra, formas un izturības ziņā savietojami. Neizmantojiet nesavietojamu ekipējumu. Pārlicinieties, ka visi savienotāji ir pilnībā slēgti un nofiksēti. 3M savienotāji (fiksējošie āķi un karabīnes) ir paredzēti tikai katra izstrādājuma lietošanas pamācībā norādītajai lietošanai. Nepareizu savienojumu piemērus skatiet 5. attēlā. Nesavienojiet fiksējošos āķus un karabīnes šādā veidā:
- Pie D-gredzena, kam pievienots cits savienotājs.
  - Tādā veidā, kas izraisa spiedienu uz slēdzēj mehānismu. Plaši atveramus fiksējošos āķus nedrīkst pievienot standarta izmēra D-gredzeniem vai līdzīgiem objektiem, jo tas radīs slodzi slēdzēj mehānismam, ja āķis vai D-gredzens noliecas vai pagriežas, ja vien fiksējošais āķis nav aprīkots ar 16 kN (3 600 mārciņu) slēdzēj mehānismu.
  - Nepareizā savienojumā, kur savienotāju izmēri un forma nav savietojami, bez vizuālas pārbaudes, savienotāji šķiet pilnībā savienoti.
  - Savā starpā.
  - Tieši pie auduma vai virves štropes vai atsaites (ja vien gan štrope, gan savienojuma ražotāju norādījumi īpaši nenorāda, ka šāds savienojums ir atļauts).
  - Pie jebkura priekšmeta, kura forma vai dimensijas nepieļauj fiksējošā āķa vai karabīnes kārtīgu noslēgšanu un fiksēšanu vai var izraisīt fiksētā elementa izvelšanos.
  - Tādā veidā, kas neļauj savienotājam ieņemt pareizo stāvokli slodzes apstākļos.

### 3.0. UZSTĀDĪŠANA UN PIELĀGOŠANA

- 3.1. PLĀNOŠANA.** Plānojiet kritiena aizsardzības sistēmu pirms darba sākšanas. Novērtējiet visus faktoros, kas var ietekmēt jūsu drošību pirms un pēc kritiena un kritiena laikā. Ņemiet vērā visas prasības un ierobežojumus, kas definēti 1. sadaļā.
- 3.2. ENKUROJUMS.** Atlasiet enkurojuma vietu ar minimālu brīva kritiena un svārsta efekta riskiem (skatiet 1. sadaļu). Atlasiet stingru enkurpunktu, kas spēj izturēt 1. sadaļā definētās statistiskās slodzes.
- 3.3. ĶERMEŅA ATBALSTA SAVIENOJUMS.** Ierobežojuma / Darba pozicionēšanas štrope jālieto ar ķermeņa pilnēkipējumu vai ķermeņa jostu. Ierobežojuma pielietojumiem, pievienojiet štropi pie atbilstošas savienojuma sastāvdaļas (D gredzena) uz iejūga vai jostas. Iepazīstieties ar norādījumiem, kas klātpielikti jūsu iejūgam, jostai vai citiem kritiena aizsardzības pielietojumiem un ieteicamajiem savienojumiem.
- 3.4. PIESTIPRINĀŠANĀS PIE DARBA POZĪCIJAS ATSAITES:** Veicot pievienošanu, nodrošiniet, ka nevar notikt izvelšanās (skatīt 2.5. sadaļu „Savienojumi”). Izvelšanās notiek, kad āķa un attiecīgā savienojuma sadure izraisa āķa slēdzēj mehānisma neparedzētu atvēršanos un atvienošanas.
- SOLIS:** Pievienojiet noslēdzamo Virves atbalsta savienotāju (skatīt 1. attēlu) labajam vai kreisajam D-gredzenam, kas atrodas uz lietotāja ķermeņa jostas vai pilnās ķermeņa iekares.
  - SOLIS:** Aplieciet atsaiti ap drošu enkurvietu, kas spēj izturēt 12 kN (2 698 lb) vai lielāku slodzi. Pārbaudiet, vai atsaitē ir nostiprināta tā, lai tā nevarētu noslidēt no vai pāri enkurvietai.
  - SOLIS:** Pievienojiet atsaites Ķermeņa savienotāju (skatīt 1. attēlu) pretējās puses D-gredzenam. Pēc pievienošanas fiksācijas āķa vai karabīnes aizdarei ir jābūt vērstai uz āru un prom no lietotāja.
  - SOLIS:** Lai saīsinātu virvi, pavelciet virves galu uz enkurpunktu. (6. attēls)
  - SOLIS:** Ļaujiet virvei slidēt caur sprūdkarabīni un atliecieties atpakaļ. Atlaidiet sprūdkarabīni, kad tā ir vēlamajā stāvoklī (7. attēls).
  - SOLIS:** Pārlicinieties par drošu enkurojumu, pareiziem savienojumiem un virves pielāgojumu:
    - piemērotu enkurojuma stiprību,
    - fiksācijas āķim un karabīnei ir jābūt pareizi pievienotam pilnajam ķermeņa iekarei vai ķermeņa jostai,
    - atsaitē nevar noslidēt no vai pāri enkurpunktam,
    - atsaitē ir pareizi nospriegotā.

*Neizmantojiet fiksācijas āķi vai karabīni, lai sasaitotos ar virvi. Abiem savienotājiem ir jābūt pievienotiem atbilstošajiem D-gredzeniem. Nekad neizmantojiet Regulējamo darba pozīcijas atsaiti tikai ar vienu pilnajai ķermeņa iekarei pievienotu savienotāju.*

### 4.0. DARBĪBA

*Lietotājiem, kas štrope (štrope) lieto pirmoreiz vai reti, pirms štrope lietošanas jāpārlasa "Drošības informācija" šīs rokasgrāmatas sākumā.*

- 4.1. STRĀDĀTĀJA PĀRBAUDE.** Pirms katras lietošanas reizes pārbaudiet štropi atbilstoši pārbaudes sarakstam Pārbaudes un apkopes žurnālā (2. tabula). Ja pārbaude atklāj nedrošu stāvokli vai parāda, ka štrope ir tikusi pakļauta kādam bojājumam vai kritiena spēkiem, štrope jāizņem no lietošanas un jāiznīcina.
- 4.2. LIETOŠANA.** Tipiska ierobežošanas / darba pozicionēšanas sistēmas savienojumi parādīti 2. attēlā. Vienmēr vispirms pievienojiet štrope ķermeņa atbalsta galu ķermeņa pilnēkipējumam vai ķermeņa jostai un tad pievienojiet zara galu piemērotam enkurojumam. Vienmēr samaziniet štrope atslābumu kritiena bīstamības tuvumā, strādājot iespējami tuvu enkurojumam. Sīkāk par iejūga un enkurojuma savienošanu skatiet 3. sadaļā. Lietošanas laikā regulāri pārbaudiet stiprinājuma un / vai regulēšanas elementus.
- 4.3. PĒC KRITIENA. JEBKURA ŠTROPE.** Kas bijusi pakļauta kritiena bloķēšanas spēku iedarbībai vai uzrāda bojājumu, kas atbilst kritiena bloķēšanas spēku iedarbībai, kā aprakstīts *Pārbaudes un apkopes žurnālā (2. tabula)*, nekavējoties jāizņem no lietošanas un jāiznīcina.

## 5.0. PĀRBAUDE

5.1. **PĀRBAUDES BIEŽUMS.** štropi jāpārbauda 2. sadaļā noteiktajos intervālos. Pārbaudes procedūras aprakstītas "Pārbaudes un apkopes žurnālā" (2. tabula).

Ekstrēmos darba apstākļos (kaitīga vide, ilgstošs lietojums u.c.) var būt nepieciešamas biežākas pārbaudes.

5.2. **NEDROŠI VAI DEFECTĪVI APSTĀKĻI.** Ja pārbaudē tiek konstatēts nedrošs vai defektīvs stāvoklis, nekavējoties izņemiet štropi no lietošanas un iznīciniet to, lai novērstu nejaušu izmantošanu. Štrope nav labojama.

5.3. **IZSTRĀDĀJUMA LIETOŠANAS ILGUMS.** 3M štroņu lietošanas ilgums atkarīgs no darba apstākļiem un apkopes. Maksimālais lietošanas ilgums var svārstīties no 1 gada, kas piemērojams intensīvai lietošanai ekstrēmos apstākļos, līdz 10 gadiem labvēlīgākos apstākļos. Kamēr izstrādājums atbilst pārbaudes kritērijiem, to var atstāt lietošanā līdz 10 gadiem maksimāli.

## 6.0. APKOPE, SERVISS UN GLABĀŠANA

Netīriet un nedezinificējiet štrope citādi kā vien, izmantojot sadaļā «Tīrīšanas norādījumi» aprakstītās metodes. Citas metodes var kaitīgi ietekmēt štrope vai lietotāju.

6.1. **TĪRĪŠANA.** štroņu tīrīšanas procedūras ir šādas:

- Periodiski notīriet štrope ārpusi, izmantojot ūdeni un maigu ziepju šķīdumu. Ūdens temperatūra nedrīkst pārsniegt 40 °C (104 °F). Novietojiet štrope tā, lai varētu notecēt liekais ūdens. Neizmantojiet ķīmisko tīrīšanu. Negludiniet ar gludekli. Pēc vajadzības notīriet marķējumu.
- Noskalojiet un pilnībā izžāvējiet gaisā. Nežāvējiet karsējot.

Izmantojiet mazgāšanas līdzekli bez balinātāja, kad tīrāt štrope. Auduma mīkstinātāju vai žāvēšanas palagus **NEDRĪKST** lietot, tīrot un žāvējot štrope

6.2. **SERVISS. ŠTROPE NAV LABOJAMAS.** Ja štrope bijusi pakļauta kritiena spēkam vai pārbaude atklāj nedrošu vai defektīvu stāvokli, izņemiet štrope no lietošanas un izmetiet.

6.3. **GLABĀŠANA UN TRANSPORTĒŠANA.** Glabājiet un transportējiet štrope vēsā, sausā un tīrā vidē, sargājot no tiešas saules gaismas. Izvairieties no vietām, kur var būt ķīmikāliju tvaiki. Rūpīgi pārbaudiet štrope pēc ilgstošas uzglabāšanas.

## 7.0. MARĶĒJUMI

8. attēlā parādīti marķējumi uz štrope un to atrašanās vietas. Visiem marķējumiem jāatrodas uz štrope - skatīt 1. attēlu.

Katrā marķējumā ir šāda informācija:

Skatiet 8. attēlu:	Apraksts:
①	Modelio numeris
②	Sērijas numurs
③	Sērijas numurs
④	Ražotāja adrese
⑤	Skatīt instrukciju
⑥	Eiropas standarts
⑦	CE ženkla
⑧	Atbilstības pārbaudi veikušās pilnvarotās iestādes numurs
⑨	Garums
⑩	Izgatavošanas mēnesis
⑪	Izgatavošanas gads
⑫	Ražotāja tīmekļa adrese
⑬	Virves diametrs
⑭	Kapacitāte



## INFORMAZZJONI DWAR IS-SIGURTÀ

**Jekk jogħġbok aqra, ifhem, u segwi l-informazzjoni dwar is-sigurtà kollha li tinstab f'dawn l-istruzzjonijiet qabel l-użu ta' dan il-Lanyard tal-Ippożizzjonar ġhax-Xogħol/li Jirrestringi l-Moviment. JEKK TONQOS LI TAGHMEL HEKK, DAN POSSIBBILMENT JISTA' JIRRIŻULTA F'KORRIMENT SERJU JEW MEWT.**

**Dawn l-istruzzjonijiet jehtieg li jinghataw lill-utent ta' dan it-tagħmir. Żomm dawn l-istruzzjonijiet biex tkun tista' tirreferi għalihom fil-futur.**

### Użu Intenzjonat:

Dan il-Lanyard tal-Ippożizzjonar ġhax-Xogħol/li Jirrestringi l-Moviment huwa intenzjonat li jintuża bħala parti minn sistema ta' protezzjoni kontra waqgħa personali kompluta. Il-lanyards tal-Ippożizzjonar ġhax-Xogħol/li Jirrestringu l-moviment jintużaw biex jimpedixxu milli l-utent jilhaq jew jiġi espost għal periklu ta' waqgħa mill-ġholi.

L-użu fi kwalunkwe applikazzjoni oħra inkluzi, iżda mhux limitati għal, immaniġġjar ta' materjal, attivitajiet rikreazzjonali jew relatati mal-isport, jew attivitajiet oħra mhux deskritti fl-Istruzzjonijiet għall-Utent, mhuwiex approvat minn 3M u jista' jirriżulta f'korrimment serju jew mewt.

Dan it-tagħmir għandu jintuża biss minn utenti mharrġa f'applikazzjonijiet fuq il-post tax-xogħol.

### TWISSIJA

Dan il-Lanyard tal-Ippożizzjonar ġhax-Xogħol/li Jirrestringi l-Moviment huwa parti minn sistema ta' protezzjoni kontra waqgħa personali. Huwa mistenni li l-utenti kollha jkunu mharrġa b'mod sħiħ fl-installazzjoni u l-operazzjoni siguri tas-sistemi ta' protezzjoni kontra waqgħa personali tagħhom. **L-użu hażin ta' dan it-tagħmir jista' jirriżulta f'korrimment serju jew mewt.** Għal għażla, operazzjoni, installazzjoni, manutenzjoni, u servizz kif suppost, irreferi għal dawn l-Istruzzjonijiet għall-Utent u għar-rakkomandazzjonijiet kollha tal-manifattur, kellew lis-supervizur tiegħek, jew ikkuntattja lis-Servizzi Tekniċi ta' 3M.

- **Biex tnaqqas ir-riskji assoċjati max-xogħol b'Lanyard tal-Ippożizzjonar ġhax-Xogħol/li Jirrestringi l-Moviment li, jekk ma jiġux evitati, jistgħu jwasslu għal korrimment serju jew mewt:**
  - Uża dan it-tagħmir biss għall-ippożizzjonar ġhax-xogħol jew f'applikazzjonijiet ta' restrizzjoni tal-moviment. Il-Lanyards tal-Ippożizzjonar ġhax-Xogħol iridu jiġu kkonfigurati biex jillimitaw id-distanza ta' waqgħa mingħajr kontroll (free fall) għal żewġ piedi jew anqas u jimminimizzaw il-waqgħat bi tbandil (swing fall). Il-Lanyards li Jirrestringu l-Moviment għandhom jimpedixxu milli l-utent jilhaq jew jiġi espost għal periklu ta' waqgħa mill-ġholi.
  - Qatt tuża dan il-lanyard (jiġiferi, lanyard li ma jassorbix l-enerġija) bħala tagħmir primarju għat-twaqqif ta' waqgħa mill-ġholi.
  - Spezzjona t-tagħmir qabel kull użu, mill-inqas darba fis-sena, u wara kwalunkwe avveniment ta' waqgħa. Spezzjonah skont l-Istruzzjonijiet għall-Utent.
  - Jekk l-ispezzjoni tikxef kundizzjoni mhux sigura jew difettuża, neħhi t-tagħmir mis-servizz u eqirdu.
  - Kwalunkwe tagħmir li kien sugġett għal waqfien ta' waqgħa jew forza ta' impatt għandu jitneħħa mis-servizz immedjatament. Irreferi għall-Istruzzjonijiet għall-Utent jew ikkuntattja lill-Protezzjoni għal Kontra l-Waqgħat ta' 3M.
  - Żgura li s-subsistemi konnettivi kollha (eż. lanyards) jinżammu hielsa minn kull periklu inkluzi, iżda mhux limitat għal, tħabbil ma' haddiema oħra, miegħek stess, ma' makkinarju li jiċċaqqaq, jew ma' kwalunkwe oġġett ieħor fil-madwar.
  - Żgura li tintuża protezzjoni adegwata ġhax-xfar meta l-linja ta' salvataġġ tista' tiġi f'kuntatt ma' xfar li jaqtgħu jew irkejjien għall-ponta.
  - Żgura li t-tagħmir huwa mmuntat kif suppost għall-użu intenzjonat.
  - Orbot is-sieq/saqajn mhux użata/i tal-lanyard mal-parti/jiet tal-irbit tal-ipparkjar fuq l-irbit tas-sikurezza jekk huwa mgħammar.
  - Torbotx jew tgħaqqadx il-lanyard.
  - Taqbiż in-numri ta' utenti permissi.
  - Żgura li s-sistemi/subsistemi ta' protezzjoni kontra waqgħa assemblati minn komponenti magħmula minn manifatturi differenti huma kompatibbli u jissodisfaw ir-rekwiżiti tal-istandards applikabbli, inkluzi ANSI Z359 jew kodiċi, standards, jew rekwiżiti tal-protezzjoni kontra waqgħa oħrajn applikabbli. Dejjem ikkonsulta Persuna Kompetenti jew Ikkwalifikata qabel tuża dawn is-sistemi.
- **Biex tnaqqas ir-riskji assoċjati max-xogħol fl-ġholi li, jekk ma jiġux evitati, jistgħu jwasslu għal korrimment serju jew mewt:**
  - Żgura li saħtejk u l-kundizzjoni fiżika tiegħek jippermettulek tissapporti b'mod sigur il-forzi kollha assoċjati max-xogħol fl-ġholi. Ikkonsulta lit-tabib tiegħek jekk għandek xi mistoqsijiet rigward il-kapaċità tiegħek li tuża dan it-tagħmir.
  - Qatt taqbeż il-kapaċità permessa tat-tagħmir ta' protezzjoni kontra waqgħa tiegħek.
  - Qatt taqbeż id-distanza ta' waqgħa mingħajr kontroll (free fall) massima tat-tagħmir ta' protezzjoni kontra waqgħa tiegħek.
  - Tuża l-ebda tagħmir ta' protezzjoni kontra waqgħa li jfalli l-ispezzjoni ta' qabel l-użu jew spezzjonijiet skedati oħra, jew jekk għandek tħassib dwar l-użu jew l-adegwatezza tat-tagħmir għall-applikazzjoni tiegħek. Ikkuntattja lis-Servizzi Tekniċi ta' 3M bi kwalunkwe mistoqsijiet li għandek.
  - Xi kombinazzjonijiet ta' subsistemi u komponenti jistgħu jinterferixxu mal-operazzjoni ta' dan it-tagħmir. Uża konnessjonijiet kompatibbli biss. Ikkonsulta lil 3M qabel tuża dan it-tagħmir flimkien ma' komponenti jew subsistemi oħrajn li mhumiex deskritti fl-Istruzzjonijiet għall-Utent.
  - Hu prekawzjonijiet żejda meta taħdem madwar makkinarju li jiċċaqqaq (eż. il-magna rotatorja ta' rigġijiet taż-żejt), perikli elettrici, temperaturi estremi, perikli kimiċi, gassijiet splussivi jew tossiċi, truf jaqtgħu jew bil-ponta, jew taħt materjali fuq rasek li jistgħu jaqgħu fuqek jew fuq it-tagħmir ta' protezzjoni kontra waqgħa tiegħek.
  - Uża apparati ta' Arc Flash jew Hot Works meta taħdem f'ambjenti b'ħafna sħana.
  - Evita ucuħ u oġġetti li jistgħu jagħmlu hsara lill-utent jew lit-tagħmir.
  - Żgura li hemm distanza adegwata tal-waqgħa biex jaħdem it-tagħmir meta tkun qed taħdem fl-ġholi.
  - Qatt timmodifika jew tagħmel tibdiliet fit-tagħmir ta' protezzjoni kontra waqgħa tiegħek. 3M jew persuni awtorizzati bil-miktub minn 3M biss jistgħu jagħmlu xogħol ta' tiswijja fuq dan l-apparat.
  - Qabel l-użu tat-tagħmir ta' protezzjoni kontra waqgħa, żgura li hemm fis-seħħ pjan ta' salvataġġ jekk isehh incident ta' waqgħa.
  - Jekk isehh incident ta' waqgħa, ikseb attenzjoni medika immedjatament għall-haddiem li waqa'.
  - Tużax ċineġ tal-irbit għall-ġisem għal applikazzjonijiet ta' waqfien ta' waqgħa. Uża biss Irbit tas-Sikurezza għall-Ġisem Kollu.
  - Imminimizza l-waqgħat bi tbandil billi taħdem kemm jista' jkun direttament taħt il-punt ta' ankragg.
  - Jekk qed tagħmel tħarriġ b'dan l-apparat, għandha tintuża sistema ta' protezzjoni kontra waqgħa sekondarja b'mod li ma jesponix lil min qed jitharreg għal periklu ta' waqgħa mhux intenzjonata.
  - Dejjem ilbes tagħmir protettiv personali xieraq meta tinstalla, tuża, jew tispezzjona t-tagħmir/is-sistema.



Qabel tuża dan it-tagħmir, irrekordja l-informazzjoni għall-identifikazzjoni tal-prodott (ara Figura 8) f'Tabella 2 tar-"Reġistru ta' Spezzjoni u Manutenzjoni" fuq wara ta' dan il-manwal.

Dejjem kun żgur li qed tuża l-aħħar reviżjoni tal-manwal tal-istruzzjonijiet ta' 3M tiegħek. Żur il-websajt ta' 3M jew ikkuntattja lis-Servizzi Tekniċi ta' 3M għal manwali tal-istruzzjonijiet aġġornati.

## DESKRIZZJONI

IL-3M™ Protecta® TRIGGER™ Lanyard' li Jista' Jiġi Aġġustat huwa maħsub biex ikun użat bħala parti minn sistema ta' pożizzjonar tal-persuna fuq ix-xogħol. Sistemi ta' pożizzjonar fuq ix-xogħol tipikament jinkludu irbit tas-sikurezza li jkopri ġisem shih jew ċinturin għal-ġisem, lanyard tal-ippożizzjonar, u sistema ta' backup tat-twaqqif ta' waqgħa ta' persuna mill-għoli. Is-sistema ta' aġġustament għandha għażla li tħalli li faċilment isir aġġustament tat-tul tal-lanyard waqt l-użu. Dan it-tagħmir mhux addattat għal skopijiet ta' twaqqif ta' waqgħa mill-għoli u huwa meħtieġ li jiġu supplimentati l-arrangamenti tal-ippożizzjonar waqt ix-xogħol b'mezzi kollettivi (eż. xbieki tas-sigurtà) jew mezz personalni (eż. sistemi ta' twaqqif ta' waqgħat mill-għoli) ta' protezzjoni kontra waqgħat mill-għoli.

Figura 1 tidentifika u l-Lanyard tal-Ippożizzjonar tax-Xogħol Aġġustabbli koperti minn din l-istruzzjoni. Mudelli differenti huma disponibbli b'diversi kombinazzjonijiet tal-karatteristiċi li ġejjin:

**Tabella 1 – Speċifikazzjonijiet**

<b>SPEĊIFIKAZZJONIJIET TAL-KOMPONENT</b>		
<b>Referenza ta' Figura 1:</b>		<b>Deskrizzjoni:</b>
<b>Konnettur mal-Ġisem</b>	①	TRIGGER™ Apparat li Jaġġusta l-Ħabel
	②	AJ514/0
	③	AJ572/0
	④	AJ501/0
<b>Konnettur ta' Appoġġ tal-Ħabel</b>	⑤	AJ523/0
	⑥	20LF
	⑦	AJ565/0
	⑧	AJ595/0
<b>Ħbula</b>	⑨	Ħabel Statiku - 10,5 mm (0,41 in.)
<b>Karatteristika Addizzjonali</b>	⑩	Sleeve Protettiva li Tgħatti l-Ħabel Reżistenti għall-Brix
<b>Tarf tal-Ħabel</b>	⑪	Għoqda Semplici fit-Tarf tal-Ħabel
<b>Tikketti</b>	⑫	Tikketti

<b>SPEĊIFIKAZZJONIJIET TAS-SISTEMA</b>	
<b>Prestazzjoni:</b>	
LY	Tul tal-Lanyard (ara Figura 1).
Kapaċità:	Persuna waħda b'piz totali (hwejjeġ, għodda, eċċ.) ta' mhux aktar minn: 140 kg (309 lbf)
Temperatura Operazzjonali:	Minimu: -35 °C (-31 °F) Massimu: +57 °C (135 °F)
<b>Materjali:</b>	
Komponent tal-Body tal-Apparat:	Azzar Inossidabbli (Stainless Steel), Azzar Illigat, Liga tal-Aluminju, u Gomma - Reżistenza għat-Tensjoni ta' 22 kN (4,946 lbf)
Carabiner:	Liga tal-Azzar, Aluminju - 22 kN (4 946 lbf) Minimu Reżistenza għat-Tensjoni
Ganċijiet:	Azzar, Azzar Inossidabbli (Stainless Steel), u Miksi biż-Żingu jew bil-Krom - Reżistenza għat-Tensjoni ta' 22 kN (4,946 lbf)
Ħabel:	Nylon - 22 kN (4 946 lbf) Reżistenza għat-Tensjoni
Għata tal-ħabel:	Polyester, Nylon

## 1.0 APPLIKAZZJONIJIET

- 1.1 SKOP:** Il-lanyards huma ddisinjati biex iservu bhala komponent go sistema li twaqqaf waqgħa ta' persuna mill-gholi (Personal Fall Arrest System - ara Figura 2). Skont it-tip tagħhom, jistgħu jxerxu l-enerġija ta' waqgħa, jillimitaw il-forzi ta' waqgħa li jiġu trasferuti fuq il-gisem, jew jiġu wżati waqt l-ippożizzjonar u t-trażzin fuq il-post tax-xogħol. Figura 1 tidentifika l-mudelli ta' Lanyards koperti minn dan il-manwal ta' struzzjoni. Jistgħu jiġu wżati fil-biċċa l-kbira tas-sitwazzjonijiet fejn il-kombinazzjoni tal-mobilità tal-haddiem u l-protezzjoni minn waqgħa mill-gholi tkun meħtieġa (jiġifieri xogħol ta' spezzjoni, kostruzzjoni ġenerali, xogħol ta' manutenzjoni, produzzjoni taż-żejt, xogħol fi spazju żgħir, eċċ).
- 1.2 STANDARDS:** Il-Lanyard tiegħek huwa konformi mal-istandard(s) nazzjonali jew reġjonali identifikati fuq il-paġna ta' quddiem ta' dawn l-istruzzjonijiet. Irreferi għar-rekwiżiti lokali li jirregolaw is-sigurtà fuq il-post tax-xogħol għal aktar informazzjoni dwar Protezzjoni Personali Kontra Waqgħat mill-Gholi. Jekk dan il-prodott jerġa' jinbiegħ barra mill-pajjiż ta' destinazzjoni originali, il-bejgiegħ li qed jerġa' jbiegħu għandu jipprovdi dawn l-istruzzjonijiet fil-lingwa tal-pajjiż fejn se jintuza l-prodott.
- 1.3 TAHRIG:** Dan it-tagħmir huwa intenzjonat li jintuza minn persuni mharrġa fl-applikazzjoni korretta u l-użu tiegħu. Hija responsabbiltà tal-utenti li jassiguraw li huma familjari ma' dawn l-istruzzjonijiet u li huma mharrġa fil-harsien u l-użu korretti kif suppost ta' dan it-tagħmir. L-utenti għandhom ukoll ikunu konxji mill-karatteristiċi operazzjonali, il-limiti tal-applikazzjoni, u l-konsegwenzi ta' użu mhux xieraq.
- 1.4 REKWIŻITI:** Dejjem ikkonsidra l-limitazzjonijiet li ġejjin meta tkun qed tinstalla jew tuża dan it-tagħmir:
- **Kapaċità:** Il-lanyards huma għall-użu ta' persuna waħda b'piż totali (hwejjeġ, għodda eċċ) li jkun konformi mal-Weight Range (Medda tal-Piż) speċifikata f'Tabella 1 għall-mudell tal-Lanyard. Kun żgur li l-komponenti kollha fis-sistema huma kklassifikati għal kapaċità xierqa għall-applikazzjoni meħtieġa.
  - **Ankraġġ:** Ankraġġi magħżula għal sistemi li jwaqqfu waqgħa mill-gholi għandhom ikunu kapaċi jifilhu tagħbijiet statiki applikati fid-direzzjonijiet permessi mis-sistema shiħa għal mill-inqas:
    - A. 12 kN (2 698 lb) għal ankri tal-metall jew 18kN (4 047 lb) għal ankri tat-tessuti għal ankraġġi mhux ċertifikati, jew
    - B. Darbtejn daqs il-forza massima tat-twaqqif għal ankraġġi ċertifikati.Jekk permess fuq il-baži tat-tip tal-ankra, meta aktar minn sistema waħda ta' waqfien ta' waqgħa mill-gholi tkun marbuta ma' ankraġġ, il-valuri tal-qawwiet kif jidheru f'(1) u (2) hawn fuq għandhom jiġu multiplikati bin-numru ta' sistemi marbuta mal-ankraġġ.
  - **Waqgħat bi Tbandil:** Waqgħat bi tbandil iseħħu meta l-punt tal-ankraġġ ma jkunx direttament fuq il-punt fejn isseħħ il-waqgħa. Il-forza tad-daqqa ma' oġġett waqt waqgħa bi tbandil tista' tikkawża korrimment serju (ara Figura 3). Imminimizza l-waqgħat bi tbandil billi taħdem kemm jista' jkun direttament taħt il-punt ta' ankraġġ. Dejjem poġġi u / jew aġġusta l-lanyard b'tali mod li l-punt tal-ankraġġ jinżamm fil-livell tal-qadd jew 'il fuq; il-lanyard jinżamm stirat; u, moviment liberu huwa ristrett għal massimu ta' 0,6 m (1,97 pied).
  - **Perikli:** L-użu ta' dan it-tagħmir f'żoni fejn jeżistu perikli ambjentali jista' jkun li jkun jeżiġi prekawzjonijiet addizzjonali biex tiġi mnaqqsqa l-possibbiltà ta' korrimment għall-utent jew ħsara lit-tagħmir. Perikli jistgħu jinkludu, iżda mhumiex limitati għal: shana qawwija, kimiċi kawstiċi, ambjenti korrużivi, linji tal-elettriku b'vultaġġ għoli, splussivi jew gassijiet tossiċi, makkinarju li jiċċaqlaq, jew materjali li jkunu aktar 'il fuq li jistgħu jagħgu u jagħmlu kuntatt mal-utent jew mas-Sistema tal-Protezzjoni Personali għat-Twaqqif tal-Waqgħat mill-Gholi. Evita li taħdem f'postijiet fejn il-Lanyard tiegħek jista' jkun li jiġi f'kuntatt jew jithabbell ma' dak ta' haddiem ieħor. Evita li taħdem fejn jista' jaq' xi oġġett li jolqot il-Lanyard, b'riskju li l-lanyard jitlef il-bilanċ jew issirlu ħsara. Thallix il-Lanyard jgħaddi minn taħt l-idejn jew bejn is-saqajn.

## 2.0 UŻU

- 2.1 PJAN TA' PROTEZZJONI U SALVATAĠĠ MINN WAQGħA MILL-GHOLI:** Min ihaddem għandu jkollu Pjan ta' Protezzjoni u Salvataġġ minn Waqgħa mill-Gholi fis-seħħ. Il-pjan għandu jipprovdi linji gwida u rekwiżiti għal programm ta' protezzjoni minn waqgħa mill-gholi amministrat minn min ihaddem, li jinkludi policies, responsabbiltajiet u tahrig; proċeduri ta' protezzjoni għall-harsien minn waqgħa mill-gholi; kif jiġu eliminati u kkontrollati l-perikli ta' waqgħa mill-gholi; proċeduri ta' salvataġġ; investigazzjonijiet ta' incidenti; u l-evalwazzjoni tal-effettività tal-programm.
- 2.2 FREKWENZA TA' SPEZZJONI:** Il-Lanyards għandhom jiġu spezzjonati mill-haddiem<sup>1</sup> kull darba qabel jużahom. Barra minn hekk, l-ispezzjonijiet għandhom isiru minn persuna kompetenti<sup>2</sup> li ma tkunx l-utent. Kundizzjonijiet ta' xogħol estremi (ambjenti ħarxa, użu fit-tul, eċċ.) jista' jkun li jeħtieġu żieda fil-frekwenza ta' spezzjonijiet minn persuna kompetenti. Il-persuna kompetenti għandha tiddetermina it-tul xieraq tal-intervall ta' spezzjoni. Il-proċeduri ta' spezzjoni huma spjegati fir-*Regjistru ta' Spezzjoni u Manutenzjoni (Tabella 2)*. Ir-rizultati ta' kull spezzjoni minn Persuna Kompetenti għandhom jiġu rrekordjati fir-*Regjistru ta' Spezzjoni u Manutenzjoni* jew irrekordjati bis-sistema ta' Identifikazzjoni tal-Frekwenza tar-Radju (RFID).
- 2.3 KOMPATIBBILTÀ TAL-KOMPONENTI:** Jekk mhux notifikat mod ieħor, it-tagħmir ta' 3M huwa maħsub għall-użu ma' komponenti u subsistemi approvati ta' 3M biss. Sostituzzjonijiet jew tibdil li jsir b'komponenti jew subsistemi mhux approvati jistgħu jipperikolaw il-kompatibbiltà tat-tagħmir u jistgħu jaffettwaw is-sigurtà u l-affidabbiltà tas-sistema shiħa.
- 2.4 KOMPATIBBILTÀ TAL-KOMPONENTI:** Il-konnetturi huma kkunsidrati li huma kompatibbli mal-elementi ta' konnessjoni meta jkunu ġew iddisinjati li jaħdmu flimkien, b'mod li l-qisien u l-forom tagħhom ma jikkawżawx lill-gate mechanisms (mekkanizmi ta' bibien) tagħhom li jinfethu aċċidentalment, irrispettivament minn kif jorjentaw ruħhom. Ikkuntattja lil 3M jekk ikollok xi mistoqsijiet dwar kompatibbiltà. Il-konnetturi (gancijiet, carabiners, u D-Rings) għandhom ikunu kapaċi jirreżistu tal-anqas 22 kN (5,000 libbra). Il-konnetturi jridu jkunu kompatibbli mal-komponenti tas-sistema ta' ankraġġ jew ma' dawk ta' sistemi oħra. Tużax tagħmir li mhumiex kompatibbli. Il-konnetturi li mhumiex kompatibbli jistgħu jinħallu b'mod mhux intenzjonat (Ara Figura 4). Il-konnetturi għandhom ikunu kompatibbli fil-qies, forma, u saħħa. Huma meħtieġa snap hooks u carabiners li jingħalqu wahedhom (self-locking).

**1 Haddiem:** Kull persuna li tiġi protetta minn waqgħa mill-gholi b'sistema ta' protezzjoni minn waqgħa mill-gholi attiva; jew, fil-każ ta' Sistema ta' Twaqqif ta' waqgħa mill-gholi; persuna li tista' taq' mill-gholi waqt li tkun marbuta mas-sistema.

**2 Persuna Kompetenti:** Individwu mqabbd minn min ihaddem biex ikun responsabbli għas-supervizjoni immedjata, l-implimentazzjoni, u l-monitoraġġ tal-programm tal-protezzjoni minn waqgħa mill-gholi amministrat minn min ihaddem, li, permezz ta' tahrig u għarfien, huwa kapaċi li jidentifika, jivvaluta, u jindirizza perikli eżistenti jew potenzjali ta' waqgħa mill-gholi, u li għandu l-awtorizzazzjoni ta' min ihaddem li jieħu azzjoni korrettiva fil-pront fir-rigward ta' tali perikli.

Jekk l-element ta' konnessjoni li miegħu jkun marbut snap hook jew carabiner ikun ta' qies żgħir jew ikollu forma irregolari, tista' tinholq sitwazzjoni li fiha l-element ta' konnessjoni japplika forza fuq il-bieba tas-snap hook jew carabiner (A). Din il-forza tista' tikkawża li tinfetaħ il-bieba (B), u tippermetti li s-snap hook jew carabiner jinfallu mill-punt tal-konnessjoni (C).

- 2.5 BIEX TAGHMEL KONNESSJONIJIET:** Snap hooks u carabiners użati ma' dan it-tagħmir għandhom ikunu tat-tip self-locking (jingħalqu waħedhom). Żgura li l-konnessjonijiet kollha huma kompatibbli fil-qies, forma u saħħa. Tużax tagħmir li mhux kompatibbli. Żgura li l-konnetturi kollha huma kompletament magħluqin u msakkrin. Il-konnetturi ta' 3M (snap hooks u carabiners) huma ddisinjati biex jintużaw biss kif speċifikat fl-istruzzjonijiet tal-prodott għall-utent ta' kull wieħed minnhom. Ara Figura 5 għal eżempji ta' konnessjonijiet mhux xierqa. Tikkonnettja snap hooks u carabiners:
- A. Ma' D-ring li għandu konnettur ieħor mqabbd miegħu.
  - B. B'mod li jkun jista' jirrizulta f'tagħbija fuq il-bieba (gate). Throat snap hooks kbar m'għandhomx jiġu kkonnettjati ma' D-rings ta' qies standard jew oġġetti simili li jwassal għal tagħbija fuq il-bieba (gate) jekk il-ganċ jew id-D-ring jitmajru jew iduru, sakemm is-snap hook użata ma tkunx mġhamra b'bieba ta' 16 kN (3,600 libbra).
  - C. Meta jkun hemm tagħqid falz (false engagement), fejn il-qies jew il-forma tal-konnetturi li jidhru go xulxin mhumiex kompatibbli u, mingħajr konfermazzjoni viżwali, il-konnetturi jidhru li jkunu kompletament magħluqin.
  - D. Ma' xulxin.
  - E. Direttament mal-webbing jew il-ħabel tal-lanyard jew it-tie-back (sakemm l-istruzzjonijiet tal-manifattur kemm għal-lanyard kif ukoll għall-konnettur ma jippermettux speċifikament tali konnessjoni).
  - F. Ma' kwalunkwe oġġett li hu fformat jew għandu qisien b'mod li s-snap hook jew il-carabiner ma jingħalqux u ma jillokkjawx, jew jekk jista' jsir roll-out.
  - G. B'mod li ma jhallix lill-konnettur jallinja tajjeb meta jkun taħt tagħbija.

### 3.0 INSTALLAZZJONI U AĠĠUSTAMENT

- 3.1 IPPJANAR:** Ippjana s-sistema tiegħek għall-protezzjoni kontra l-waqgħat qabel tibda x-xogħol tiegħek. Ikkunsidra l-fatturi kollha li jistgħu jaffettwaw is-sigurtà tiegħek qabel, waqt u wara waqgħa. Ikkunsidra l-ħtiġijiet u l-limitazzjonijiet kollha kif speċifikati fl-1 Taqsima.
- 3.2 ANKRAĠĠ:** Aghżel post ta' ankraġġ b'riskji minimi ta' waqgħat liberi u waqgħat bit-tbandil (ara l-1 Taqsima). Aghżel punt ta' ankraġġ riġidu kapaci li jiflaħ it-tagħbijiet statiči speċifikati fl-1 Taqsima.
- 3.3 KONNESSJONI GĦALL-APPOĠĠ TAL-ĠISEM:** Irbit / Lanyard għall-Ippożizzjonar tax-Xogħol irid jintuża ma' Arnezi ta' mal-Ġisem Kollu jew Ċinturin ta' mal-Ġisem. Għal applikazzjonijiet tal-Irbit, qabbd il-Lanyard mal-Element tal-Aċċessorji (D-Ring) xieraq fuq l-arnezi jew fuq iċ-ċinturin. Irreferi mal-istruzzjonijiet inkluzi mal-arnezi jew iċ-ċinturin tiegħek għal applikazzjonijiet oħra għall-protezzjoni mill-waqgħat u l-konnessjonijiet rakkomandati.
- 3.4 QABBD MAL-LANYARD TAL-IPPOŻIZZJONAR TAX-XOGĦOL:** Meta tqabbd, żgura li ma jstax ikun hemm roll-out. (Ara Sezzjoni 2.5 "Konnessjonijiet.") Ir-roll-out isehħ meta l-interferenza li jkun hemm bejn il-ganċ u l-konnettur li jaqbel (mating connector) tikkawża li l-bieba tal-ganċ tinfetaħ u tirrilaxxa b'mod mhux intenzjonat.

- PASS 1:** Qabbd il-Konnettur ta' Appoġġ tal-ħabel li jaqfel (Ara Figura 1) mad-D-Ring fuq in-naħa tax-xellug jew tal-lemin li jinsab fuq iċ-ċinturin tal-ġisem (body belt) jew l-irbit tas-sikurezza għall-ġisem kollu tal-operatur.
- PASS 2:** Poġġi l-lanyard madwar ankraġġ sigur li hu kapaci jirreżisti tagħbijiet ta' 12 kN (2 698 lb) jew aktar. Ivverifika li l-lanyard hija ssikkata b'tali mod li ma tistax tiżloq 'l isfel jew taqbeż il-punt tal-ankraġġ.
- PASS 3:** Qabbd il-Konnettur mal-Ġisem tal-lanyard (Ara Figura 1) mad-D-Ring tan-naħa opposta. Meta jkun imqabbd, is-snap hook jew il-bieba tal-carabiner trid tkun thares 'il barra u lil hinn mill-utent.
- PASS 4:** Biex tqassar il-ħabel, iġbed it-tarf direttament lejn il-punt ta' ankraġġ. (Figura 6)
- PASS 5:** Ħalli l-ħabel jgħaddi minn ġol-aġġustatur waqt li sserraħ lura. Itlaq l-aġġustatur meta jkun fil-pożizzjoni mixtieqa. (Figura 7)
- PASS 6:** Ikkonferma li hemm ankraġġ sigur, konnessjonijiet u aġġustament tal-ħabel xierqa:
- Saħħa tal-ankraġġ adegwata.
  - Snap hook u carabiner imqabbd kif suppost mal-irbit tas-sikurezza għall-ġisem kollu jew iċ-ċinturin tal-ġisem.
  - Il-lanyard ma tistax tiżloq 'l isfel jew taqbeż il-punt ta' ankraġġ.
  - Il-lanyard hija tensjonata b'mod korrett.

Tużax is-snap hook jew carabiner biex torbot lura mal-ħabel. Iż-żewġ konnetturi jridu jkunu mqabbd mad-D-Rings tan-naħa x-xierqa. Qatt tuża l-Lanyard tal-Ippożizzjonar tax-Xogħol Aġġustabbli b'konnettur wieħed biss imqabbd mal-irbit tas-sikurezza għall-ġisem kollu.

### 4.0 OPERAT

L-utenti li qed jużaw il-Lanyards (Lanyards) għall-ewwel darba jew dawk li ma tantx jużawhom għandhom jaqraw l-"Informazzjoni dwar is-Sigurtà" fil-bidu ta' dan il-Manwali qabel jużaw il-Lanyard.

- 4.1 SPEZZJONI MILL-HADDIEM:** Qabel kull użu, ispezzjona l-Lanyard skont il-lista ta' kontroll tal-ispezzjoni fir-Registru tal-Ispezzjoni u l-Manutenzjoni (Skeda 2). Jekk l-ispezzjoni tiżvela kundizzjoni mhux sigura jew tindika li l-Lanyard kien soġġett għal xi ħsarat jew forzi ta' waqgħat, il-Lanyard irid jitmehħ mis-servizz u jinqered.
- 4.2 OPERAT:** Dejjem qabbd it-Tarf tal-Appoġġ tal-Ġisem tal-Lanyard mal-Arnezi ta' Mal-Ġisem Kollu jew iċ-Ċinturin ta' Mal-Ġisem l-ewwel u mbagħad qabbd il-punt tat-Tarf ma' ankraġġ adattat. Dejjem imminimizza l-ammont ta' laxk fil-lanyard viċin periklu ta' waqgħat billi taħdem kemm tista' viċin l-ankraġġ. Ara t-Taqsima 3 għad-dettalji dwar l-appoġġ tal-ġisem u l-konnessjoni tal-ankraġġ. Iċċekkja regolament l-elementi tal-irbit u / jew l-aġġustament waqt l-użu.

**4.3 WARA WAQĠHA:** Kull Lanyard li kien soġġett għall-forzi biex iwaqqfu waqgħa jew juri hsarat konsistenti mal-effetti ta' forzi biex iwaqqfu waqgħa kif deskritt fir-*Registru tal-Installazzjoni u l-Manutenzjoni (Skeda 2)* irid jitneħħa mis-servizz minnufih u jinqered.

## 5.0 SPEZZJONI

**5.1 FREKWENZA TA' SPEZZJONI:** Il-Lanyard għandu jiġi spezzjonat f'intervalli kif speċifikat fit-Taqsima 2. Il-proċeduri tal-ispezzjoni huma spjegati fir- *"Registru taal-Ispezzjoni u l-Manutenzjoni"* (Skeda 2) .

*Kundizzjonijiet tax-xogħol estremi (ambjenti harxa, użu fit-tul, eċċ.) jista' jkun li jeħtieġu żieda fil-frekwenza ta' spezzjonijiet.*

**5.2 KUNDIZZJONIJET MHUX SIGURI JEW DIFETTUŽI:** Jekk l-ispezzjoni tikkex kundizzjoni mhux sigura jew difettuża, neħhi l-Lanyard mis-servizz minnufih u eqirdu biex tipprevjeni l-użu involontarju. Il-lanyards ma jissewwewx.

**5.3 HAĠJA TAL-PRODOTT:** Il-ħajja funzjonali tal-Lanyards 3M hija determinata mill-kundizzjonijiet tax-xogħol u l-manutenzjoni. Il-perjodu ta' ħajja massima tista' tvarja minn sena għall-użu gravi f'kundizzjonijiet estremi sa 10 snin għall-użu ħafif f'kundizzjonijiet ħfief. Sakemm il-prodott jgħaddi mill-kriterji tal-ispezzjonijiet, jista' jibqa' jintuża fix-xogħol sa massimu ta' 10 snin.

## 6.0 MANUTENZJONI, SERVIZZ, U HAŻNA

*Tnaddafx u tiddiżinfettax il-Lanyards b'xi metodu ieħor minbarra dak speċifikat fl-"Istruzzjonijiet tat-Tindif" li ġejjin. Metodi oħra jistgħu jhallu effetti ħżiena fuq il-Lanyards jew l-utent.*

**6.1 TINDIF:** Il-proċeduri tat-tindif għal-Lanyard huma kif ġejj:

- Naddaf perjodikament in-naħa ta' barra tal-Lanyard bl-użu tal-ilma u soluzzjoni bi ftit sapun. It-temperatura tal-ilma m'għandhiex taqbeż l-40 °C (104 °F). Ippożizzjona l-Lanyard b'tali mod biex jitlaq l-ilma żejjed. Tużax dry-cleaning. Tgħaddix bil-hadida tal-mogħdija. Naddaf it-tikketti kif meħtieġ.
- Laħlaħ u nixxef sew bl-arja. Tipprovax tnixxef malajr bl-użu tas-sħana.

*Uża deterġent mingħajr bliċ meta tnaddaf il-Lanyards. M'GHANDHOMX jintużaw agenti għat-trattib tad-drapp jew kartaxugi meta tnaddaf u tnixxef il-Lanyards*

**6.2 SERVIZZ:** Il-lanyards ma jissewwewx. Jekk il-Lanyard kien soġġett għal xi hsarat jew forzi ta' waqgħat, jew l-ispezzjoni tikkex kundizzjoni mhux sigura jew difettuża, neħhi l-Lanyard mis-servizz u armih.

**6.3 HAŻNA/TRASPORT:** Aħżen u ttrasporta l-Lanyards f'ambjent frisk, niexef, nadif u mhux fid-dawl tax-xemx diretta. Evita spazji fejn jista' jkun hemm fwar ta' sustanzi kimiċi. Spezzjona l-Lanyards bir-reqqa wara kull perjodu ta' ħażna fit-tul.

## 7.0 TIKKETTI

Il-Figura 8 turi t-tikketti fuq il-Lanyards u l-postijiet tagħhom. It-tikketti kollha jridu jkun preżenti fuq il-Lanyard - Ara Figura 1.

L-informazzjoni fuq kull tikketta hija kif ġejj:

Ara Figura 8:	Deskrizzjoni
①	Numru tal-mudell
②	Numru tas-serje
③	Numru tal-lott
④	Indirizz tal-Manifattur
⑤	Ara l-Istruzzjonijiet
⑥	Standard Ewrope
⑦	Marka ta' Konformità Ewropea CE
⑧	Numru tal-Korp notifikat li se jwettaq il-Konformità mat-tip
⑨	Tul
⑩	Xahar tal-manifattura
⑪	Sena tal-manifattura
⑫	Indirizz tal-Web tal-Manifattur
⑬	Dijametru tal-ħabel
⑭	Kapaċità



## VEILIGHEIDSINFORMATIE

Lees, begrijp en volg alle veiligheidsinformatie in deze instructies voordat u deze werkpositionerings-/bewegingsbeperkingslijn gebruikt. **NALATIGHEID KAN ERNSTIG LETSEL OF DE DOOD TOT GEVOLG HEBBEN.**

Deze instructies dienen aan de gebruiker van deze apparatuur verstrekt te worden. Bewaar deze instructies zodat u ze later kunt raadplegen.

### Beoogd gebruik:

Deze werkpositionerings-/bewegingsbeperkingslijn is bedoeld voor gebruik als onderdeel van een volledig persoonlijk valbeveiligingssysteem. Werkpositionerings-/bewegingsbeperkingslijnen zijn bedoeld om te verhinderen dat de gebruiker een valgevaar ondervindt of hieraan wordt blootgesteld.

Gebruik in andere toepassingen, inclusief (maar niet beperkt tot) materiaalbehandeling, vrijetijdsactiviteiten, sporten of andere activiteiten die niet in de gebruiksinstructies omschreven staan, wordt niet goedgekeurd door 3M en kan leiden tot een ongeval met ernstig letsel of de dood tot gevolg.

Dit apparaat mag uitsluitend worden gebruikt door opgeleide gebruikers voor toepassing op de werkplaats.

## WAARSCHUWING

Deze werkpositionerings-/bewegingsbeperkingslijn maakt deel uit van een persoonlijk valbeveiligingssysteem. Er wordt verwacht dat alle gebruikers volledig zijn opgeleid voor een veilige installatie en veilig gebruik van hun persoonlijke valbeveiligingssysteem.

**Misbruik van dit systeem kan leiden tot ernstig letsel of een dodelijk ongeval.** Raadpleeg voor het correct selecteren, installeren, bedienen, onderhouden en verzorgen van dit systeem deze gebruiksaanwijzing, inclusief alle aanbevelingen van de fabrikant, of raadpleeg uw leidinggevende of neem contact op met 3M Technical Services.

- **Doe het volgende om de risico's te beperken die gepaard gaan met het werken met een werkpositionerings-/bewegingsbeperkingslijn, waarbij nalatigheid kan leiden tot ernstig letsel of een dodelijk ongeval:**
  - Gebruik dit systeem alleen voor werkpositionerings- of bewegingsbeperkings toepassingen. Werkpositioneringslijnen dienen zo te worden ingesteld dat ze de vrijevalafstand beperken tot twee voet (60 cm) of minder en scheef vallen minimaliseren. Bewegingsbeperkingslijnen moeten verhinderen dat de gebruiker een valgevaar ondervindt of hieraan wordt blootgesteld.
  - Gebruik deze lijn (d.w.z. een niet-energieabsorberende lijn) nooit als primair valstopstelsel.
  - Inspecteer voorafgaand aan elk gebruik alle onderdelen van het systeem, minstens één keer per jaar en na elke valgebeurtenis. Voer de inspectie uit aan de hand van de gebruiksaanwijzing.
  - Indien uit inspectie een onveilige of gebrekkige toestand blijkt, dient u het systeem buiten gebruik te stellen en het te vernietigen.
  - Systemen die onderworpen zijn aan valstop- of botskrachten, moeten onmiddellijk buiten gebruik worden gesteld. Raadpleeg de Gebruikersinstructies of neem contact op met 3M Valbescherming.
  - Zorg dat alle verbindende subsystemen (bijv. lijnen) gevrijwaard blijven van alle gevaren. Dit omvat, maar is niet beperkt tot, het verstrikt raken met andere arbeiders, uzelf, bewegende apparatuur of andere omringende voorwerpen.
  - Zorg dat randen goed afgeschermd worden als de reddingslijn langs scherpe randen of hoeken kan schuren.
  - Zorg ervoor dat het systeem goed is afgesteld voor het beoogde gebruik.
  - Bevestig de ongebruikte haak/haken van de lijn aan het bevestigingselement/de bevestigingselementen van het harnas, indien aanwezig.
  - De lijn niet vastbinden of in een knoop leggen.
  - Het aantal geoorloofde gebruikers niet overschrijden.
  - Zorg ervoor dat valbeveiligingssysteem/-subsystemen samengesteld uit onderdelen van verschillende fabrikanten compatibel zijn en aan de geldende normen voldoen, waaronder ANSI Z359 of andere geldende voorschriften, normen of vereisten op het gebied van valbescherming. Raadpleeg altijd een deskundige en/of een gekwalificeerd persoon voordat u deze systemen gebruikt.
- **Doe het volgende om de risico's te beperken die gepaard gaan met het werken op hoogte, waarbij nalatigheid kan leiden tot een ongeval met ernstig letsel of de dood tot gevolg:**
  - Vergewist u zich ervan dat u met uw gezondheid en lichamelijke conditie veilig bestand bent tegen alle krachten die kunnen optreden bij het werken op hoogte. Raadpleeg uw arts als u vragen heeft over of u in staat bent om deze uitrusting te gebruiken.
  - Overschrijd nooit de toelaatbare capaciteit van uw valbeveiligingsuitrusting.
  - Overschrijd nooit de maximale vrijevalafstand van uw valbeveiligingsuitrusting.
  - Gebruik nooit valbeveiligingsuitrusting die een gebrek vertoont bij de inspectie vóór het gebruik of andere periodieke inspecties, of als u onzeker bent over het gebruik of de geschiktheid van de uitrusting voor uw toepassing. Neem voor al uw vragen contact op met 3M Technical Services.
  - Sommige combinaties van subsystemen en componenten kunnen de werking van deze uitrusting verstoren. Gebruik uitsluitend koppelingen die onderling geschikt zijn. Raadpleeg 3M voordat u deze apparatuur gebruikt in combinatie met andere componenten of subsystemen dan in de gebruiksinstructies beschreven staan.
  - Wees extra voorzichtig bij het werken in de buurt van bewegende machines (bijv. de top drive van een boorplatform), op plaatsen met elektrische gevaren, extreme temperaturen, chemische gevaren, explosieve of giftige gassen, scherpe randen of onder voorwerpen boven het hoofd die op u of uw valbeveiligingsuitrusting kunnen vallen.
  - Gebruik bij werken in een hete omgeving of met hitteapparatuur beschermingsmiddelen tegen risico's op een vlamboog en brandgevaar.
  - Vermijd oppervlakken en voorwerpen die de gebruiker of de uitrusting kunnen beschadigen.
  - Vergewist u zich ervan dat er voldoende vrije val is bij werken op hoogte.
  - Wijzig of verander uw valbeveiligingsuitrusting nooit. Alleen 3M, of partijen die door 3M schriftelijk bevoegd worden gesteld, mogen de uitrusting repareren.
  - Zorg voordat de valbeveiligingsuitrusting in gebruik wordt genomen dat er een reddingsplan aanwezig is waarmee in geval van een ongeval snel hulp kan worden geboden.
  - Laat na een val de betreffende persoon onmiddellijk door een arts onderzoeken.
  - Gebruik geen lichaamsgordel voor valstop toepassingen. Gebruik uitsluitend een volledig lichaams-harnas.
  - Minimaliseer zwenkvallen door zo recht mogelijk onder het ankerpunt te werken.
  - Bij training met dit apparaat moet een tweede valbeveiligingssysteem worden gebruikt om elk risico te vermijden dat de gebruiker-in-training per ongeluk aan valgevaar wordt blootgesteld.
  - Draag altijd geschikte persoonlijke beschermingsmiddelen bij het installeren, gebruiken of inspecteren van het apparaat/systeem.

Noteer vóór u deze apparatuur gebruikt de productidentificatiegegevens (zie afbeelding 8) in het "Inspectie- en onderhoudslogboek", Tabel 2 achter in deze handleiding.

Zorg er altijd voor dat u de nieuwste versie van uw 3M handleiding gebruikt. Ga naar de 3M-website of neem contact op met 3M Technical Services voor bijgewerkte handleidingen.

## BESCHRIJVING

De 3M™ Protecta® TRIGGER™ Instelbare lijn is bedoeld voor gebruik als onderdeel van het persoonlijke werkpositioneringssysteem. Werkpositioneringssystemen bestaan doorgaans uit een volledig lichaamsharnas of lichaamsgordel, een positioneringslijn en een persoonlijk valstopsysteem ter reserve. Het verstelsysteem heeft de mogelijkheid om tijdens het gebruik de lengte van de lijn gemakkelijk aan te passen. Deze apparatuur is niet geschikt als valstop. Het is noodzakelijk om maatregelen te treffen voor werkpositionering met opvangmiddelen (bijv. veiligheidsnetten) of persoonlijke beschermingsmiddelen (bijv. valstopsystemen) tegen vallen vanaf een hoogte.

Afbeelding 1 identificeert verstelbare werkpositioneringslijn waarop deze instructie betrekking heeft. Verschillende harnasmodellen zijn beschikbaar met verschillende combinaties van de volgende functies:

**Tabel 1 – Specificaties**

<b>COMPONENTSPECIFICATIES</b>		
<b>Afbeelding 1 ter referentie:</b>		<b>Beschrijving:</b>
<b>Lichaamsconnector</b>	①	TRIGGER™ lijnspanner apparaat
	②	AJ514/0
	③	AJ572/0
	④	AJ501/0
<b>Touw ondersteuningsconnector</b>	⑤	AJ523/0
	⑥	20LF
	⑦	AJ565/0
	⑧	AJ595/0
<b>Touwen</b>	⑨	Statisch touw - 10,5 mm (0,41 in.)
<b>Extra functie</b>	⑩	Slijtvaste beschermende touw beschermmof
<b>Uiteinde touw</b>	⑪	Eenvoudige knoop aan het einde van het touw
<b>Labels</b>	⑫	Labels

<b>SYSTEEMSPECIFICATIES</b>	
<b>Prestaties:</b>	
LY	Lengte van de lijn (zie figuur 1).
Capaciteit:	1 persoon met een gecombineerd gewicht (kleding, gereedschap, enz.) van niet meer dan: 140 kg (309 lb.)
Werktemperatuur:	Minimum: -35 °C (-31 °F) Maximum: +57 °C (135 °F)
<b>Materialen:</b>	
Apparaat component behuizing.	Roestvrij staal, staallegering, aluminiumlegering en rubber - 22 kN (4.946 lbf) treksterkte
Karbiner:	Gelegeerd staal, Aluminium - 22 kN (4 946 lbf) Minimum Treksterkte
Haken:	Staal, roestvrij staal en verzinkt of verchromd - 22 kN (4.946 lbf) treksterkte
Touw:	Nylon - 22 kN (4 946 lbf) Treksterkte
Bedek voor touw:	Polyester, Nylon

## 1.0 TOEPASSINGEN

- 1.1 DOEL:** Lijnen zijn ontworpen om een onderdeel te vormen van persoonlijke systemen voor valbescherming (Personal Fall Arrest Systems, zie afbeelding 2). Ze kunnen valenergie verspreiden, valkrachten beperken die naar het lichaam worden overgebracht, of worden gebruikt voor werkpositionering en -beperking, afhankelijk van het type. Afbeelding 1 geeft de modellen lijnen weer waarop deze instructiehandleiding van toepassing is. Deze systemen kunnen worden gebruikt in de meeste situaties waarin een combinatie van mobiliteit voor de werknemer en valbeveiliging is vereist, zoals bij inspectiewerkzaamheden, algemene bouwwerkzaamheden, onderhoudswerkzaamheden, olieproductie, werkzaamheden in besloten ruimten, enz.
- 1.2 NORMEN:** Uw lijn voldoet aan de nationale of regionale norm(en) die staan vermeld op de omslag van deze instructies. Raadpleeg de regionale vereisten die van toepassing zijn op beroepsveiligheid voor aanvullende informatie over persoonlijke valbescherming. Als dit product opnieuw verkocht wordt buiten het oorspronkelijke land van bestemming, dient de wederverkoper deze instructies te leveren in de taal van het land waarin het product gebruikt gaat worden.
- 1.3 TRAINING:** Deze apparatuur is bedoeld voor gebruik door personen die zijn getraind in de juiste toepassing en het juiste gebruik. Het is de eigen verantwoordelijkheid van de gebruikers om te zorgen dat ze bekend zijn met deze instructies en getraind zijn in het juiste onderhoud en gebruik van deze apparatuur. Gebruikers moeten bovendien op de hoogte zijn van de operationele eigenschappen, toepassingsbeperkingen en de gevolgen van onjuist gebruik.
- 1.4 VEREISTEN:** Houd tijdens het installeren of gebruiken van deze apparatuur altijd rekening met de volgende beperkingen:
- **Capaciteit:** Lijnen zijn voor gebruik door één persoon met een gecombineerd gewicht (kleding, uitrusting, enz.) dat voldoet aan het gewichtsbereik dat is gespecificeerd in tabel 1 voor het model lijn. Zorg ervoor dat alle onderdelen van het systeem de juiste capaciteit hebben die nodig zijn voor de toepassing.
  - **Verankering:** Verankeringen die zijn geselecteerd voor valstopssystemen moeten bestand zijn tegen statische belastingen die worden uitgeoefend in de richtingen die door het gehele systeem worden toegestaan, van ten minste:
    - A. 12 kN (2 698 lb) voor metalen verankeringen of 18 kN (4 047 lb) voor textiele verankeringen voor niet-gecertificeerde verankeringen, of
    - B. Twee keer de maximale stopkracht voor gecertificeerde verankeringen.Indien toegestaan op basis van het type verankering, moeten wanneer meer dan één valstopstelsel aan een verankering is bevestigd, de sterkten die uiteengezet zijn in (1) en (2) worden vermenigvuldigd met het aantal systemen dat is bevestigd aan die verankering.
  - **Scheef vallen:** Scheef vallen doet zich voor wanneer het verankeringspunt zich niet direct boven het valpunt bevindt. De kracht waarmee een voorwerp tijdens een scheve val geraakt kan worden, kan ernstig letsel veroorzaken (zie afbeelding 3). Minimaliseer scheef vallen door zo recht mogelijk onder het verankeringspunt te werken. Plaats en / of stel de lijn altijd zo in dat het ankerpunt op of boven het middelste niveau wordt gehouden; de vanglijn wordt strak gehouden; en het vrije verkeer is beperkt tot maximaal 0,6 m (1,97 ft).
  - **Gevaren:** Als deze uitrusting in zones met omgevingsgevaar wordt gebruikt, zijn er mogelijk extra maatregelen nodig om de kans op letsel of schade aan de uitrusting te verkleinen. De gevaren kunnen bestaan uit, maar zijn niet beperkt tot: hitte, bijtende chemicaliën, corrosieve omgevingen, hoogspanningsleidingen, explosieve of giftige gassen, bewegende machines en materiaal boven het hoofd dat kan vallen en de gebruiker of het valstopstelsel kan raken. Vermijd werkzaamheden in situaties waarin uw lijn de lijn van een collega kan kruisen of daarmee verstrengeld kan raken. Vermijd werkzaamheden waarbij een object kan vallen en de lijn kan raken, waardoor het risico ontstaat van het verlies van uw evenwicht of schade aan de lijn. Voorkom dat de lijn onder de armen of tussen de benen door loopt.

## 2.0 GEBRUIK

- 2.1 VALBEVEILIGINGS- EN REDDINGSPLAN:** De werkgever dient over een valbeveiligings- en reddingsplan te beschikken. Het plan moet richtlijnen en vereisten bevatten voor een door de werkgever beheerd valbeveiligingsprogramma, inclusief beleidslijnen, taken en training; valbeschermingsprocedures; het elimineren en beheersen van valgevaaren; reddingsprocedures; incidentonderzoeken; en evaluatie van de effectiviteit van het programma.
- 2.2 REGELMAAT VAN INSPECTIE:** De lijnen moeten worden geïnspecteerd door de werknemer<sup>1</sup> vóór elk gebruik. Daarnaast dienen inspecties te worden uitgevoerd door een deskundige<sup>2</sup> anders dan de gebruiker. Extreme werkomstandigheden (ruige omgeving, langdurig gebruik, enz.) kunnen vereisen dat de frequentie van inspecties door deskundigen wordt opgevoerd. De deskundige dient passende inspectiefrequenties te bepalen. De inspectieprocedures zijn beschreven in het "Logboek voor inspectie en onderhoud" (tabel 2). De resultaten van de inspectie door de deskundige moeten worden vastgelegd in het Logboek voor inspectie en onderhoud of worden geregistreerd via het radiofrequentie-identificatiesysteem (RFID-systeem).
- 2.3 COMPATIBILITEIT VAN ONDERDELEN:** Tenzij anders aangegeven, is 3M-apparatuur ontworpen voor gebruik met alleen door 3M goedgekeurde onderdelen en subsystemen. Substituties of vervangingen door middel van niet-goedgekeurde onderdelen of subsystemen kunnen de compatibiliteit van apparatuur in gevaar brengen en kunnen de veiligheid en betrouwbaarheid van het volledige systeem beïnvloeden.
- 2.4 COMPATIBILITEIT VAN CONNECTORS:** Connectors worden als compatibel met verbindende elementen beschouwd wanneer deze zijn ontwikkeld om op een zodanige manier samen te werken dat de maten en vormen, ongeacht hun oriëntatie, geen onbedoeld opengaan van snappermechanismen veroorzaken. Neem contact op met 3M als u vragen hebt over compatibiliteit. Connectors (haken, karabiners en D-ringen) moeten in staat zijn om ten minste 22 kN (5.000 lbs) te dragen. Connectors moeten compatibel zijn met de verankering of andere systeemcomponenten.

**1 Werknemer:** Elke persoon die beschermd is tegen vallen door een actief valbeschermingssysteem; of, in het geval van een valstopstelsel; een persoon die kan vallen terwijl hij aan het systeem is bevestigd.

**2 - Deskundige persoon:** Een persoon die door zijn werkgever is aangeduid als verantwoordelijke voor de directe supervisie, uitvoering en opvolging van het door de werkgever beheerde programma voor valbescherming, die op basis van zijn opleiding en kennis in staat is om de bestaande en potentiële valrisico's te identificeren, te evalueren en aan te pakken, en die van de werkgever de bevoegdheid heeft gekregen om onmiddellijk corrigerende maatregelen te nemen in verband met dergelijke risico's.



Gebruik geen apparatuur die niet compatibel is. Verbindingen die niet compatibel zijn, kunnen onbedoeld losraken (zie afbeelding 4). Connectors moeten compatibel zijn qua grootte, vorm en sterkte. Zelfvergrendelende musketonhaken en karabiniers zijn vereist. Als het verbindingselement waaraan de musketonhaak of karabiner bevestigd wordt, te klein of onregelmatig van vorm is, kan er een situatie optreden waarbij het verbindingselement kracht uitoefent op de opening van de musketonhaak of karabiner (A). Door deze kracht kan de opening (B) opengaan, waardoor de musketonhaak of karabiner kan losraken van het verbindingpunt (C).

**2.5 VERBINDINGEN MAKEN:** Met deze apparatuur mogen alleen zelfvergrendelende musketonhaken en karabiniers gebruikt worden. Zorg ervoor dat de verbindingen qua grootte, vorm en sterkte bij elkaar passen. Gebruik geen apparatuur die niet compatibel is. Controleer of alle verbindingen volledig gesloten en vergrendeld zijn. 3M-connectors (musketonhaken en karabiniers) zijn ontworpen om alleen gebruikt te worden zoals in de gebruikersinstructies van elk product vermeld staat. Zie afbeelding 5 voor voorbeelden van onjuiste verbindingen. Verbind musketonhaken of karabiniers niet:

- A. Aan een D-ring waaraan al een andere verbinding bevestigd is.
- B. Op een manier waardoor er een belasting op de opening komt te staan. Musketonhaken met een grote halsopening mogen niet worden verbonden met standaardformaat D-ringen of vergelijkbare voorwerpen. Dit resulteert in een belasting van de snapper als de haak of D-ring (rond)draait, tenzij de musketonhaak is voorzien van een snapper die geschikt is voor 16 kN (3600 lb).
- C. Bij een foutieve verbinding, waarbij de grootte of vorm van de bijpassende verbindingstukken niet compatibel zijn en zonder visuele bevestiging lijken de verbindingstukken volledig verbonden.
- D. Aan elkaar.
- E. Direct aan singelband of touwlijn of terugbindlijn (tie-back) - tenzij de instructies van de fabrikant een dergelijke verbinding voor zowel de lijn als de connector specifiek toestaan.
- F. Aan elk object dat een zodanige vorm of dimensie heeft dat de musketonhaak of karabiner niet dicht en op slot kan gaan, of daar waar uitrollen kan optreden.
- G. Op een manier die de connector onder belasting geen correcte positie laat innemen.

### 3.0 INSTALLATIE EN AFSTELLING

**3.1 PLANNING:** Maak een plan voor uw valbeveiligingssysteem voordat u begint met uw werkzaamheden. Houd rekening met alle factoren die uw veiligheid voor, tijdens en na een val kunnen beïnvloeden. Houd rekening met alle eisen en beperkingen die in sectie 1 zijn gedefinieerd.

**3.2 VERANKERING:** Kies een verankeringspunt met minimaal gevaar voor een vrije val en zwenkvalrisico's (zie sectie 1). Kies een stabiel verankeringspunt dat bestand is tegen de in sectie 1 gedefinieerde statische belastingen.

**3.3 LICHAAMSONDERSTEUNENDE BEVESTIGING:** Om het lichaam te borgen of te werken aan een lijn, moet een energie-absorberende lijn worden gebruikt. Bevestig de lijn voor borgtoepassingen aan het betreffende bevestigingselement (D-Ring) op het harnas of aan de riem. Lees de instructies bij uw harnas of riem voor andere valbeschermingstoepassingen en aanbevolen bevestigingen.

**3.4 VERBINDEN MET DE WERKPOSITIONERINGSLIJN:** Zorg er bij het verbinden voor dat uitrollen niet kan optreden. (Zie sectie 2.5 "Verbindingen".) Uitrollen treedt op als interferentie tussen de haak en bijbehorende connector er de oorzaak van is dat de haakpoort onbedoeld opengaat en loslaat.

**STAP 1:** Verbind de vergrendelende touw-ondersteuningsconnector (zie afbeelding 1) met de linker of rechter D-ring aan de lichaamsgordel van de gebruiker of het volledige lichaamsharnas.

**STAP 2:** Plaats de lijn rond een veilige verankerung die in staat is om lasten van 12 kN (2 698 lb) of meer te dragen. Controleer of de lijn op een dergelijke wijze is vastgezet dat deze niet langs het verankeringspunt kan glijden.

**STAP 3:** Verbind de lichaamsconnector van de lijn (zie afbeelding 1) met de tegenoverliggende D-ring. Eenmaal verbonden moet de poort van de musketonhaak of de karabiner naar buiten en van de gebruiker af wijzen.

**STAP 4:** Om het touw korter te maken, trekt u het uiteinde rechtstreeks naar het verankeringspunt. (Afbeelding 6)

**STAP 5:** Laat het touw door de spanner lopen terwijl u naar achteren gaat leunen. Laat de spanner los als deze zich in de gewenste positie bevindt. (Afbeelding 7)

**STAP 6:** Bevestig een veilige verankerung, de juiste verbindingen en de spanning van het touw:

- Adequate verankeringssterkte.
- Controleer of de musketonhaak en karabiner op de juiste manier zijn aangesloten op het volledige lichaamsharnas of de lichaamsgordel.
- Controleer of de lijn niet naar beneden of voorbij het verankeringspunt kan glijden.
- Controleer of de lijn correct is gespannen.

*Maak geen gebruik van de musketonhaak of karabiner om terug aan het touw vast te maken. Beide connectoren moeten worden aangesloten op de juiste D-ringen aan de zijkant. Gebruik nooit de verstelbare werkpositioneringslijn met slechts één connector bevestigd aan het volledige lichaamsharnas.*

### 4.0 WERKING

*Personen die de zelfintrekkende valstopapparaten (SRD's) voor het eerst of onregelmatig gebruiken moeten eerst de 'Veiligheidsinformatie' voor in deze handleiding doornemen voordat ze het zelfintrekkende valstopapparaat gaan gebruiken.*

- 4.1 INSPECTIE DOOR DE GEBRUIKER** Inspecteer de lijn voor elk gebruik aan de hand van de inspectiechecklist in het 'Logboek voor inspectie en onderhoud (tabel 2). Als bij een inspectie een onveilige situatie aan het licht komt of de lijn is blootgesteld aan een beschadiging of valstopkrachten, moet de lijn buiten gebruik worden gesteld en vernietigd.
- 4.2 GEBRUIK:** Bevestig altijd het eerst het dragende uiteinde van de lijn aan het volledige lichaamsharnas of de riem en pas dan het andere uiteinde van de lijn aan de verankering. Zorg altijd voor een minimale speling in de lijn in een valgevaarlijke situatie, door zo dicht mogelijk bij de verankering te werken. Zie sectie 3 voor meer informatie met betrekking tot geborgd werken en bevestiging aan een verankering. Controleer tijdens het gebruik regelmatig de bevestigings- en / of verstelelementen.
- 4.3 NA EEN VAL:** Elke lijn die is blootgesteld aan de krachten van een valstop of die beschadigingen vertonen die door een valstop zouden kunnen zijn veroorzaakt, zoals in het 'Logboek voor inspectie en onderhoud' (tabel 2), moet buiten gebruik worden gesteld en vernietigd.

## 5.0 INSPECTIE

- 5.1 REGELMAAT VAN INSPECTIE:** De lijn moet worden geïnspecteerd met de intervallen die zijn gedefinieerd in sectie 2. De inspectieprocedures zijn beschreven in het 'Logboek voor inspectie en onderhoud' (tabel 2).

Bij extreme werkomstandigheden (agressieve omgeving, langdurig gebruik enzovoort) moet het inspectie-interval korter zijn.

- 5.2 ONVEILIGE OF GEBREKKIGE OMSTANDIGHEDEN:** Als bij inspectie een onveilige of defecte conditie aan het licht komt moet de lijn onmiddellijk buiten gebruik worden gesteld en vernietigd om te voorkomen dat deze alsnog wordt gebruikt. Lijnen kunnen niet worden gerepareerd.
- 5.3 GEBRUIKSDUUR VAN HET PRODUCT:** De functionele levensduur van 3M lijnen is afhankelijk van de werkomstandigheden en het onderhoud. De maximale levensduur kan variëren van 1 jaar voor zwaar gebruik in extreme omstandigheden, tot 10 jaar voor licht gebruik in milde omstandigheden. Zolang het product bij inspectie aan de criteria voldoet, kan het in gedurende maximaal 10 jaar in gebruik blijven.

## 6.0 ONDERHOUD, SERVICE EN OPSLAG

Lijnen mogen alleen worden schoongemaakt en gedesinfecteerd volgens de methode omschreven in de hierna volgende 'Reinigingsinstructies'. Andere methoden kunnen een nadelig effect hebben op de lijnen of de gebruiker.

- 6.1 REINIGEN:** Reinig lijnen als volgt:

- Maak de buitenkant van de lijn regelmatig schoon met water en een milde zeepoplossing. De watertemperatuur moet niet hoger zijn dan 40 °C (104 °F). Hang de zodanig op dat overtollig water eruit kan weglopen. Niet chemisch reinigen. Niet strijken. Zorg ervoor dat labels schoon zijn.
- Spoel af en droog grondig aan de lucht. Droog niet geforceerd met warmte.

Gebruik een wasmiddel zonder bleekmiddel om de lijnen schoon te maken. Gebruik NOOIT wasverzachter of droogtrommeldoekjes voor het schoonmaken of drogen van de lijnen

- 6.2 ONDERHOUD:** Lijnen kunnen niet worden gerepareerd. Neem de lijn buiten gebruik en vernietig deze als de lijn heeft blootgestaan aan valkrachten of als bij inspectie een onveilige of defecte toestand wordt geconstateerd.
- 6.3 TRANSPORT/OPSLAG:** Bewaar en vervoer lijnen in een koele, droge, schone omgeving, beschermd tegen direct zonlicht. Vermijd plekken waar chemische dampen kunnen voorkomen. Inspecteer de lijn grondig nadat deze gedurende een langere periode opgeslagen is geweest.

## 7.0 LABELS

In afbeelding 8 zijn de labels op de lijnen afgebeeld en de plaats waar ze zijn bevestigd. Alle labels moeten aanwezig zijn op de lijn - zie afbeelding 1. Elk label bevat de volgende informatie:

Zie afbeelding 8:	Omschrijving:
①	Modelnummer
②	Serial number
③	Batchnummer
④	Adres van de fabrikant
⑤	Zie instructies
⑥	Europese standaard
⑦	CE-markering
⑧	Nummer van keuringsinstituut die de conformiteit met het type uitvoert
⑨	Lengte
⑩	Maand van fabricage
⑪	Jaar van fabricage
⑫	Webadres van de fabrikant
⑬	Kabeldiameter
⑭	Capaciteit



## SIKKERHETSINFORMASJON

**Les, forstå og følg all sikkerhetsinformasjon i disse instruksjonene før du tar denne festelinen til arbeidsposisjonering/fastspenning ved forflytning i bruk. UNNLATELSE AV Å GJØRE DETTE KAN FØRE TIL ALVORLIG SKADE ELLER DØD.**

Disse instruksjonene må gis til brukeren av utstyret. Ta vare på disse instruksjonene for fremtidig referanse.

### Tilsiktet bruk:

Denne festelinen til arbeidsposisjonering/fastspenning ved forflytning er beregnet for bruk som del av et komplett personlig fallsikringssystem. Festeliner til arbeidsposisjonering/fastspenning ved forflytning brukes til å forhindre at brukere faller eller blir utsatt for en fallfare.

Bruk i en hvilken som helst annen sammenheng inkludert, men ikke begrenset til, materialhåndtering, fritidsbruk eller idrettsrelaterte aktiviteter, eller andre aktiviteter som ikke beskrives i Brukerinstruksjonene, er ikke godkjent av 3M og kan resultere i alvorlig personskade eller død.

Denne innretningen skal bare brukes av opplærte brukere i arbeidsplassanvendelser.

### ADVARSEL

Festelinen til arbeidsposisjonering/fastspenning ved forflytning er del av et komplett personlig fallsikringssystem. Det forventes at alle brukere er fullt opplært i sikker installering og betjening av deres personlige fallsikringssystem. **Misbruk av denne innretningen kan resultere i alvorlig personskade eller død.** For riktig utvelgelse, betjening, installering, vedlikehold og service, se disse bruksanvisningene, inkludert alle produsentens anbefalinger, snakk med din arbeidsleder eller kontakt 3M Tekniske tjenester.

- **For å redusere risikoen som er forbundet med å arbeide med en festeline til arbeidsposisjonering/fastspenning ved forflytning, som, om det ikke unngås, kan resultere i alvorlig personskade eller død:**
  - Bare bruk denne innretningen til arbeidsposisjonering eller til fastspenning ved forflytning. Festeliner til arbeidsposisjonering må konfigureres til å begrense frifallsdistansen til 61 cm eller mindre, og minimere svingfall. Festeliner til fastspenning ved forflytning brukes til å forhindre at brukere faller eller blir utsatt for en fallfare.
  - Aldri bruk denne festelinen (dvs. en ikke-energiabsorberende festeline) som den primære fallstoppinnretningen.
  - Inspiser innretningen før hver bruk, minst én gang årlig, og etter enhver fallhendelse. Inspiser systemet i samsvar med bruksanvisningene.
  - Hvis inspeksjonen avdekker en usikker eller defekt tilstand, må innretningen umiddelbart tas ut av bruk og destrueres.
  - Enhver innretning som er blitt belastet som følge av fall eller støtkrefter, må umiddelbart tas ut av bruk og destrueres. Se brukerinstruksjonene eller ta kontakt med 3M Fallsikring.
  - Sørg for at all tilkobling av undersystemer (f.eks. festesnorer) holdes unna alle farer inkludert, men ikke begrenset til, sammenfiltring med andre arbeidere, deg selv, bevegelig maskineri eller andre omgivende gjenstander.
  - Sørg for at det brukes riktig kantbeskyttelse hvis livlinen kan komme i kontakt med skarpe kanter eller hjørner.
  - Sørg for at innretningen er hensiktsmessig gjort bruksklar til den tilsiktede bruken.
  - Fest de ubrukte bena i festelinen til parkeringsfestene i seletøyet hvis det er utstyrt.
  - Ikke bind opp eller lag knute på festelinen.
  - Ikke overskrid antall tillatte brukere.
  - Sørg for at fallsikringssystemer/undersystemer som er satt sammen av komponenter fremstilt av forskjellige produsenter er kompatible og oppfyller kravene i gjeldende standarder, inkludert ANSI Z359 eller andre gjeldende fallsikringsnormer, standarder, eller krav. Rådfør deg alltid med en kompetent eller kvalifisert person før du bruker disse systemene.
- **For å redusere risikoen som er forbundet med arbeid i høyden, om det ikke unngås, kan resultere i alvorlig personskade eller død:**
  - Sørg for at din helse og fysiske tilstand gjør det mulig for deg sikkert å motstå alle de krefter som er forbundet med arbeid i høyden. Rådfør deg med legen din hvis du har noen spørsmål angående din evne til å bruke dette utstyret.
  - Du må aldri overskride tillatt kapasitet for ditt fallsikringsutstyr.
  - Du må aldri overskride maksimal frifallavstand for ditt fallsikringsutstyr.
  - Ikke bruk noe fallsikringsutstyr som ikke består inspeksjoner før bruk eller andre planmessige inspeksjoner, eller dersom du har bekymringer om bruken, eller om hvor egnet utstyret kan være for ditt bruksområde. Kontakt 3M Tekniske tjenester med eventuelle spørsmål.
  - Noen delsystemer og delekombinasjoner kan hindre bruken av dette utstyret. Bruk kun kompatible koblinger. Kontakt 3M dersom dette utstyret blir brukt sammen med andre komponenter eller delsystemer enn de som beskrives i brukerinstruksjonene.
  - Utvis ekstra forsiktighet når du arbeider rundt bevegelig maskineri (f.eks. rotasjonssystemet for oljerigger), elektriske farer, ekstreme temperaturer, kjemiske farer, eksplosive eller giftige gasser, skarpe kanter, eller nedenfor overhengende materialer som kan falle ned på deg eller ditt fallsikringsutstyr.
  - Bruk lysbueflamme eller Hot Works-innretninger når du arbeider i miljøer med høy varme.
  - Unngå overflater og gjenstander som kan skade brukeren eller utstyret.
  - Sørg for at det er tilstrekkelig fallklaring når du arbeider i høyden.
  - Du må aldri modifisere eller endre på ditt fallsikringsutstyr. Bare 3M eller virksomheter med skriftlig godkjenning fra 3M kan reparere dette utstyret.
  - Før bruk av fallsikringsutstyr, pass på at det finnes en redningsplan som muliggjør rask redning hvis et falluhell skulle inntreffe.
  - Hvis et falluhell inntreffer, søk umiddelbart medisinsk hjelp for den arbeideren som har falt.
  - Ikke bruk støttebelter til fallstoppbruk. Bruk kun en full kroppssele.
  - Minimer svingfall ved å arbeide så rett under forankringspunktet som mulig.
  - Hvis du trener med denne innretningen, må et sekundært fallsikringssystem benyttes på en slik måte at det ikke eksponerer lærlingen for en utilsiktet fallfare.
  - Ha alltid på hensiktsmessig personlig verneutstyr når du installerer, bruker eller inspiserer innretningen/systemet.

Skriv ned produktidentifikasjonen (se figur 8) i tabell 2 i Inspeksjons- og vedlikeholdsloggen på baksiden av denne veiledningen før utstyret brukes.

Forsikre deg alltid om at du bruker den siste revisjonen av 3M-brukerveiledningen. Gå til 3M-nettstedet eller kontakt 3Ms tekniske tjenester for oppdaterte brukerveiledninger.

## BESKRIVELSE

3M™ Protecta® TRIGGER™ regulerbar og line er ment å inngå som en del av et personlig arbeidsposisjoneringssystem. Arbeidsposisjoneringssystemer inkluderer vanligvis en helkroppssele eller et kroppselte, posisjoneringssystem og et personlig reservefallsikringsystem. Justeringssystemet har muligheten til å enkelt justere linelengden under bruk. Dette utstyret er ikke egnet for å stoppe fall og det er nødvendig å supplere ordninger for arbeidsposisjonering med kollektive midler (f.eks. sikkerhetsnett) eller personlige midler (f.eks. fallstoppssystemer) for beskyttelse mot fall fra en høyde.

Figur 1 viser arbeidsposisjoneringssystemet som dekkes av denne brukerveiledningen. Forskjellige modeller er tilgjengelige med ulike kombinasjoner av de følgende spesifikasjonene:

**Tabell 1 – Spesifikasjoner**

<b>KOMPONENTSPESIFIKASJONER</b>		
<b>Figur 1 Referanse:</b>		<b>Beskrivelse:</b>
<b>Kroppskobling</b>	①	TRIGGER™ taujusteringsenhet
	②	AJ514/0
	③	AJ572/0
	④	AJ501/0
<b>Taustøttekobling</b>	⑤	AJ523/0
	⑥	20LF
	⑦	AJ565/0
	⑧	AJ595/0
<b>Tau</b>	⑨	Statisk tau – 10,5 mm (0,41 in.)
<b>Tilleggsspesifikasjon</b>	⑩	Slitebestandig beskyttende tautrekk
<b>Tauende</b>	⑪	Enkel knute på slutten av tauet
<b>Merking</b>	⑫	Merking

<b>SYSTEMSPESIFIKASJONER</b>	
<b>Yteevne:</b>	
LY	Linelengde (se figur 1).
Kapasitet:	1 person med total vekt (klær, verktøy osv.) på maksimalt: 140 kg (309 lb.)
Driftstemperatur:	Minimum: -35 °C (-31 °F) Maksimum: +57 °C (135 °F)
<b>Materialer:</b>	
Hoveddelkomponent:	Rustfritt stål, stållegering, aluminiumlegering og gummi – strekkstyrke på 22 kN (4 946 lbs)
Karabinkroker:	Stållegering, Aluminium - 22 kN (4 946 lbf) Minimum Strekkstyrke
Kroker:	Stål, rustfritt stål og sinkbelagt eller forkrommet – strekkstyrke på 22 kN (4 946 lbf)
Tau:	Nylon - 22 kN (4 946 lbf) Strekkstyrke
Toppeksel:	Polyester, Nylon

## 1.0 BRUKSOMRÅDER

- 1.1 FORMÅL:** Liner er konstruert for å utgjøre en komponent i et personlig fallsikringsssystem (se figur 2). De kan avlede fallenergi, begrense fallkrefter som overføres til kroppen eller brukes til arbeidsposisjonering og sikring avhengig av type. Figur 1 viser linemodellene som dekkes av denne brukerveiledningen. De kan brukes i situasjoner hvor arbeidere har behov for både mobilitet og fallsikring (inspeksjonsarbeid, vanlig bygningsarbeid, vedlikeholdsarbeid, oljeproduksjon, arbeid i plassbegrensede områder osv.).
- 1.2 STANDARDER:** Linen oppfylder kravene til nasjonale standarder som oppgis på omslaget til denne brukerveiledningen. Det henvises til lokale krav til arbeidssikkerhet for mer informasjon om personlig fallsikring. Hvis dette produktet selges utenfor det opprinnelige destinasjonslandet, må forhandleren stille disse instruksjonene til rådighet på språket i det aktuelle landet der produktet vil bli brukt.
- 1.3 OPPLÆRING:** Dette utstyret er beregnet på bruk av personer som har fått opplæring i korrekt bruk. Det er brukerens ansvar å sørge for at de kjenner til denne veiledningen, og har fått opplæring i korrekt vedlikehold og bruk av utstyret. Brukere må være kjent med bruksegenskapene, begrensningene for bruk og konsekvensene av uriktig bruk.
- 1.4 KRAV:** Ta alltid hensyn til følgende begrensninger ved installering eller bruk av dette utstyret:
- **Kapasitet:** Liner er laget for bruk av personer med en samlet vekt (inklusive verktøy, klær osv.) som overholder vektområdet oppgitt i tabell 1 for den aktuelle linemodellen. Kontroller at alle komponentene i systemet er godkjent for en kapasitet som er egnet for bruksområdet.
  - **Forankring:** Forankringskoblingene som velges til fallsikringsssystemer må kunne tåle å stoppe statiske belastninger som påføres i retningen som tillattes av fallsikringsssystemet på minst:
    - A. 12 kN (2 698 lb) for metallankre eller 18 kN (4 047 lb) for tekstilankre for ikke-sertifiserte forankringer eller
    - B. to ganger den maksimale bremskraften til sertifiserte forankringer.Når flere enn ett fallsikringsssystem er festet til et forankringspunkt, når dette er tillatt basert på ankertype, skal styrken angitt i (1) og (2) ovenfor ganges med antall systemer som er festet til forankringspunktet.
  - **Svingfall:** Svingfall forekommer når forankringspunktet ikke er direkte over punktet hvor et fall oppstår. Kraften av et sammenstøt med et objekt i et svingfall kan medføre alvorlig personskade (se figur 3). Begrens svingfall ved å arbeide så rett under forankringspunktet som mulig. Still alltid og / eller juster lanyardet slik at forankringspunktet holdes på eller over midjenivået; lanyard holdes stramt; og fri bevegelse er begrenset til maksimalt 0,6 m (1,97 ft).
  - **Farer:** Hvis utstyret brukes i farlige områder, kan det være nødvendig med ekstra forholdsregler for å redusere faren for personskader eller skader på utstyret. Farer kan bl.a. inkludere: sterk varme, kaustiske kjemikalier, korrosive miljøer, høyspentlinjer, eksplosive eller giftige gasser, maskinelt utstyr i bevegelse eller overliggende/hengende materialer som kan falle ned på brukeren eller fallsikringsssystemet. Unngå å arbeide på steder hvor livlinen kan krysse eller floke seg med andre liner. Unngå å arbeide på steder hvor en gjenstand kan falle og treffe livlinen, da dette kan føre til tap av balansen eller skade på linen. Ikke la linen gå under armene eller mellom bena.

## 2.0 BRUK

- 2.1 FALLSIKRINGS- OG REDNINGSPLAN:** Arbeidsgiveren må ha utarbeidet en fallsikrings- og redningsplan. Planen skal gi veiledning og stille krav til en arbeidsgivers fallsikringsprogram, som omfatter retningslinjer, plikter og opplæring, fallsikringsprosedyrer, fjerning og kontroll av fallrisiko, redningsprosedyrer, granskning av ulykker og evaluering av programmets effektivitet.
- 2.2 INSPEKSJONSINTERVALLER:** Liner skal inspiseres av arbeideren<sup>1</sup> før hver bruk. I tillegg skal de inspiseres av en annen kvalifisert person<sup>2</sup> enn brukeren. Ekstreme arbeidsforhold (tøft miljø, langvarig bruk, osv.) kan gjøre det nødvendig med hyppigere inspeksjoner utført av en kvalifisert person. Den kvalifiserte personen skal fastsette passende inspeksjonsintervaller. Prosedyrene for inspeksjon beskrives i *inspeksjons- og vedlikeholdsloggen (tabell 2)*. Resultatene fra inspeksjoner som er utført av en kompetent person må registreres i *inspeksjons- og vedlikeholdsloggen* eller registreres i RFID-systemet.
- 2.3 KOMPONENTKOMPATIBILITET:** Utstyr fra 3M er kun konstruert for bruk sammen med komponenter og delsystemer som er godkjent av 3M, med mindre annet er angitt. Utskifting eller erstatning med komponenter og delsystemer som ikke er godkjent kan påvirke utstyrets kompatibilitet, som kan gå ut over sikkerheten og påliteligheten til hele systemet.
- 2.4 KOBLINGSKOMPATIBILITET:** Koblinger anses å være kompatible med koblingselementene når de er konstruert for å virke sammen på en slik måte at størrelse og form ikke får lukkemekanismene til å åpnes utilsiktet, uansett hvordan de posisjoneres. Kontakt 3M hvis du har spørsmål om kompatibilitet. Koblingene (kroker, karabinkroker og D-ringer) må være i stand til å tåle minst 22,2 kN (5000 lbs). Koblingene må være kompatible med forankringen og andre systemkomponenter. Ikke bruk utstyr som ikke er kompatibelt. Ikke-kompatible koblinger kan løsne utilsiktet (se figur 4). Påse at koblingene er kompatible når det gjelder størrelse, form og styrke. Selvlåsende sikkerhetskroker og karabinkroker må brukes. Hvis koblingselementet, som en sikkerhetskrok eller karabinkrok er festet til, er for lite eller har en ujevn form, kan det oppstå en situasjon hvor koblingselementet overfører kraft på krokens feste (A). Denne kraften kan gjøre at festet åpnes (B) og føre til at kroken løsner fra koblingspunktet (C).
- 2.5 TILKOBLING:** Sikkerhets- og karabinkrokene som brukes med dette utstyret, må være selvlåsende. Påse at koblingene er kompatible når det gjelder størrelse, form og styrke. Ikke bruk utstyr som ikke er kompatibelt. Kontroller at alle koblinger er fullstendig lukket og låst. Koblinger fra 3M (sikkerhets- og karabinkroker) er kun beregnet på bruk slik det er spesifisert i produktets brukerveiledning. Se figur 5 for eksempler på feilaktige koblinger. Sikkerhets- og karabinkroker må ikke kobles som følger:

**1 Arbeider:** En person er beskyttet mot å falle av et aktivt fallsikringsssystem eller en person som kan falle mens vedkommende er festet til et fallstoppsystem.

**2 Kvalifisert person:** En person, utnevnt av arbeidsgiveren, som er ansvarlig for kontroll, implementering og overvåking av den ansattes fallsikringsprogram, og som, via opplæring og kunnskap, er i stand til å påvise, evaluere og håndtere eksisterende og potensielle fallfarer samt har myndighet til å foreta korrigerende tiltak ved påvisning av slike farer.

- A. til en D-ring hvor det allerede finnes en annen kobling
- B. på en måte som vil føre til belastning på porten, dvs. sikkerhetskroker med stor halskrok skal ikke kobles til D-ringer av standard størrelse eller liknende gjenstander, da dette vil resultere i belastning på krokens feste dersom kroken eller D-ringen vrir seg eller roterer, med mindre kroken er utstyrt med et 16 kN feste.
- C. i et falskt feste hvor størrelsen eller formen til den motsvarende koblingen ikke er kompatibel og hvor manglende visuell bekreftelse gjør at det virker som om krokene er riktig festet.
- D. til hverandre
- E. direkte til stropper eller livliner eller tilbakekobling av tau (med mindre produsentens veiledning for både livlinen og koblingen spesifikt tillater dette)
- F. til et objekt som er formet eller dimensjonert slik at låsekroken eller karabinkroken ikke vil lukke og låse, eller hvor utrulling kan forekomme
- G. på en måte som gjør at koblingen ikke er korrekt innrettet under belastning

### 3.0 INSTALLASJON OG JUSTERING

- 3.1 PLANLEGGING:** Planlegg fallsikringssystemet før du begynner å arbeide. Vurder faktorer som kan påvirke sikkerheten din før, under og etter et fall. Ta hensyn til alle krav og begrensninger som defineres i del 1.
- 3.2 FORANKRING:** Velg forankringsstedet nøye for å redusere risikoen for fritt fall og svingfall (se del 1). Velg et solid forankringspunkt som tåler den statiske belastningen som er beskrevet i del 1.
- 3.3 KROPPSSTØTTETILKOBLING:** Sikrings-/arbeidsposisjoneringssystemet må brukes sammen med en helkroppssеле eller et kroppsbelt. Når linen brukes til sikring, må den kobles til det egnede festeelementet (D-ringen) på selen eller beltet. Se instruksjonene som følger med selen for andre bruksområder ifm. fallsikring og anbefalte seletilkoblinger.
- 3.4 KOBLE TIL ARBEIDSPOSISJONERINGSLINEN:** Påse at linen ikke kan rulle ut ved tilkobling. (Se del 2.5 «Tilkoblinger».) Utrulling skjer når en forstyrrelse mellom kroken og koblingen den festes i fører til at kroklåsen utilsiktet åpnes og slipper ut linen.

**TRINN 1:** Koble den låsende taustøttekoblingen (se figur 1) til D-ringen på venstre eller høyre side av brukers kroppsbelt eller helkroppssеле.

**TRINN 2:** Plasser linen rundt en sikker forankring som tåler en belastning på minimum 12 kN (2 698 lb). Kontroller at linen er sikret på en slik måte at den ikke kan gli ned eller forbi ankerpunktet.

**TRINN 3:** Koble linsens kroppskobling (se figur 1) til D-ringen på motsatt side. Når den er koblet til, må sikkerhets- eller karabinkrokens lås være vendt utover og vekk fra brukeren.

**TRINN 4:** Tauet gjøres kortere ved å trekke halen rett mot forankringspunktet. (Figur 6)

**TRINN 5:** La tauet mates gjennom justeringen mens du lener deg tilbake. Slipp justeringen når den er i ønsket posisjon. (Figur 7)

**TRINN 6:** Kontroller at tauet er sikkert forankret, riktig tilkoblet og tilpasset, og:

- har tilstrekkelig forankringsstyrke.
- at sikkerhets- og karabinkroken er riktig koblet til helkroppsselen eller kroppsbeltet.
- at linen ikke kan gli ned eller forbi ankerpunktet.
- at linen er riktig strammet.

*Ikke bruk sikkerhets- eller karabinkroken til å bakforankre tauet. Begge koblingene må kobles til de tilhørende D-ringene på siden. Den justerbare arbeidsposisjoneringssystemet må aldri brukes med kun én kobling festet til helkroppsselen.*

### 4.0 BRUK

*Brukere som bruker liner for første gang eller en gang i blant skal gjennomgå avsnittet «Sikkerhetsinformasjon» i begynnelsen av denne brukerveiledningen før linen brukes.*

- 4.1 INSPEKSJON:** Kontroller den linen før hver bruk iht. sjekklisten for inspeksjon som finnes i *Inspeksjons- og vedlikeholdsloggen (tabell 2)*. Hvis inspeksjonen avdekker en utrygg tilstand eller indikerer at linen har vært utsatt for skade eller fallkrefter, må linen tas ut av bruk og tilintetgjøres.
- 4.2 BRUK:** Start alltid med å koble linsens ende til helkroppsselen og deretter benenden til en egnet forankring. Eventuell slakk på linen i nærheten av en fallfare må alltid reduseres til et minimum ved å jobbe så nær forankringen som mulig. Se del 3 for informasjon om seletilkobling og forankringskobling. Kontroller regelmessig feste og / eller justeringselementer under bruk.
- 4.3 ETTER ET FALL:** Alt utstyr som har vært utsatt for kreftene ved å stanse et fall eller har skader som stemmer overens med virkningene av slike krefter som beskrevet i *Installasjons- og vedlikeholdsloggen (tabell 2)*, må øyeblikkelig tas ut av bruk og tilintetgjøres.

## 5.0 INSPEKSJON

**5.1 INSPEKSJONSINTERVALLER:** Linen må kontrolleres ved de intervallene som er definert i del 2. Prosedyrene for inspeksjon beskrives i *Inspeksjons- og vedlikeholdsløkken (tabell 2)*.

Ekstreme arbeidsforhold (tøffe miljøer, langvarig bruk osv.), kan gjøre det nødvendig med hyppigere kontroller.

**5.2 UTRYGGE ELLER DEFEKTE TILSTANDER:** Hvis en inspeksjon avdekker en utrygg eller defekt tilstand, må den umiddelbart tas ut av bruk og tilintetgjøres for å hindre utilsiktet bruk. Liner kan ikke repareres.

**5.3 PRODUKTLEVETID:** Den funksjonelle levetiden til liner fra 3M avhenger av arbeidsforhold og vedlikehold. Maksimal levetid kan variere fra 1 år ved intensiv bruk under ekstreme forhold til 10 år ved lett bruk under lette forhold. Så lenge produktet oppfyller inspeksjonskriteriene, kan det brukes i opptil maksimalt 10 år.

## 6.0 VEDLIKEHOLD, SERVICE OG OPPBEVARING

Liner må ikke rengjøres eller desinfiseres på annen måte enn det som er beskrevet under «Rengjøringsanvisninger». Andre metoder kan påvirke linen og brukeren på en negativ måte.

**6.1 RENGJØRING:** Rengjøringsprosedyrer for liner er som følger:

- Rengjør utsiden av linen regelmessig med vann og en mild såpeløsning. Vanntemperaturen må ikke overstige 40 °C (104°F). Plasser linen slik at overskytende vann kan renne bort. Tåler ikke rens. Må ikke strykes. Rengjør etikettene etter behov.
- Skyll linen og la den lufttørke fullstendig. Ikke bruk varme for å tørke den.

Bruk et blekemiddelfritt vaskemiddel når du rengjør liner. IKKE bruk tøymykner eller tørkeark ved vask og tørking av linene.

**6.2 SERVICE:** Liner kan ikke repareres. Hvis en line har vært utsatt for fallkrefter eller en inspeksjon avdekker en utrygg eller defekt tilstand, må linen tas ut av bruk og avhendes.

**6.3 OPPBEVARING OG TRANSPORT:** Liner må oppbevares og transporteres i et kjølig, tørt og rent miljø som ikke er utsatt for direkte sollys. Unngå områder der det kan finnes gasser fra kjemikalier. Inspiser linen nøye etter en lengre oppbevaringsperiode.

## 7.0 MERKING

Figur 8 viser etikettene og deres plassering på linen. Alle etikettene må være synlige på linen - se figur 1.

Informasjonen på hver etikett er som følger:

Se figur 8:	Beskrivelse
①	Modellnummer
②	Serienummer
③	Batchnummer
④	Adresse til produsenten
⑤	Se anvisninger
⑥	Europeisk standard
⑦	CE-merket
⑧	Nummer på teknisk kontrollorgan som utfører typesamsvar
⑨	Lengde
⑩	Produksjonsmåned
⑪	Produksjonsår
⑫	Produsentens nettadresse
⑬	Tau Diameter
⑭	Kapasitet





## INFORMACJE DOTYCZĄCE BEZPIECZEŃSTWA

Przed użyciem tej linki bezpieczeństwa do ustawiania pozycji/ograniczania ruchu podczas pracy należy dokładnie zapoznać się ze zrozumieniem i przestrzegać wszystkich informacji dotyczących bezpieczeństwa, jakie zawarto w niniejszej instrukcji. **ZIGNOROWANIE TEGO WYMAGANIA MOŻE SKUTKOWAĆ POWAŻNYMI URAZAMI CIAŁA LUB ŚMIERCIĄ.**

Te instrukcje muszą być udostępnione użytkownikowi tego urządzenia. Instrukcje należy zachować do wykorzystania w przyszłości.

### Przeznaczenie:

Ta linka bezpieczeństwa do ustawiania pozycji/ograniczania ruchu podczas pracy stanowi część kompletnego systemu ochrony osób przed upadkiem. Linki bezpieczeństwa do ustawiania pozycji/ograniczania ruchu podczas pracy chronią użytkownika przed zagrożeniem upadkiem.

Wykorzystywanie urządzenia w jakimkolwiek innym celu, m.in. w celach rekreacyjnych, do przenoszenia ładunków lub podczas uprawiania sportu oraz we wszelkich innych celach nieopisanych w instrukcji użytkownika, nie jest zatwierdzone przez 3M i może skutkować poważnymi urazami ciała lub śmiercią.

To urządzenie może być wykorzystywane wyłącznie przez przeszkolonych użytkowników w miejscu pracy.

## OSTRZEŻENIE

Ta linka bezpieczeństwa do ustawiania pozycji/ograniczania ruchu podczas pracy stanowi część systemu ochrony osób przed upadkiem. Oczekujemy, że wszyscy użytkownicy zostaną w pełni przeszkoleni w zakresie bezpiecznej instalacji i obsługi systemu ochrony przed upadkiem. **Nieprawidłowe użytkowanie tego urządzenia może prowadzić do poważnych urazów ciała lub śmierci.** Aby zapewnić prawidłowy dobór, obsługę, instalację, konserwację i serwis urządzenia, należy zapoznać się z niniejszą instrukcją użytkownika oraz wszystkimi zaleceniami producenta, skontaktować się z przełożonym lub serwisem technicznym firmy 3M.

### • Aby ograniczyć ryzyko związane z pracą z linką bezpieczeństwa do ustawiania pozycji/ograniczania ruchu podczas pracy, które może skutkować poważnymi urazami ciała lub śmiercią:

- To urządzenie może być wykorzystywane wyłącznie do ustawiania pozycji lub ograniczania ruchu podczas pracy. Linka bezpieczeństwa do ustawiania pozycji podczas pracy musi być ustawiona w taki sposób, aby ograniczała odległość swobodnego spadania do maksymalnie 60 cm oraz minimalizowała zagrożenia związane z upadkiem w wyniku zakotwienia. Linki bezpieczeństwa do ograniczania ruchu chronią użytkownika przed zagrożeniem upadkiem.
- Nigdy nie należy używać tej linki bezpieczeństwa jako podstawowego urządzenia zabezpieczającego przed upadkiem.
- Należy sprawdzić urządzenie przed każdym użyciem, co najmniej raz w roku oraz po każdym zatrzymaniu upadku przez urządzenie. Przeglądy muszą odbywać się zgodnie z instrukcją użytkownika.
- Jeżeli kontrola wykaże niebezpieczny lub wadliwy stan, należy wycofać urządzenie z eksploatacji i zutilizować je.
- Każde urządzenie, które zostało użyte do zabezpieczenia przed upadkiem bądź zostało poddane działaniu dużych sił, musi zostać natychmiast wycofane z eksploatacji. Patrz instrukcja użytkownika lub skontaktuj się z działem 3M Fall Protection.
- Upewnij się, że wszystkie podsystemy łączące (np. linki bezpieczeństwa) są zabezpieczone przed wszelkimi zagrożeniami, w tym między innymi przed zaplątaniem się oraz zaplątaniem innych pracowników, poruszających się maszyn lub innych otaczających obiektów.
- Jeśli linka asekuracyjna może mieć styczność z ostrymi krawędziami lub narożnikami, należy odpowiednio zabezpieczyć takie miejsca.
- Urządzenie musi zawierać odpowiedni osprzęt do danego zastosowania.
- Nieużywane końce linki bezpieczeństwa należy przymocować do mocowania szelek bezpieczeństwa, jeśli występuje.
- Nie wiązać ani nie tworzyć węzłów na linie bezpieczeństwa.
- Nie przekraczać dozwolonej liczby użytkowników.
- Należy upewnić się, że systemy ochrony przed upadkiem/zintegrowane podsystemy, złożone z komponentów pochodzących od różnych producentów, są kompatybilne i spełniają wymagania obowiązujących norm, w tym normy ANSI Z359 lub innych obowiązujących przepisów, norm i wymagań dotyczących ochrony przed upadkiem. Przed użyciem tych systemów należy zawsze skonsultować się z kompetentną lub wykwalifikowaną osobą.

### • Aby ograniczyć ryzyko związane z pracą na wysokości, które może skutkować poważnymi urazami ciała lub śmiercią:

- Należy upewnić się, że warunki fizyczne i zdrowotne pracownika umożliwiają bezpieczne znoszenie wszelkich sił oddziałujących w przypadku pracy na wysokości. W przypadku pytań dotyczących korzystania z tego sprzętu należy skonsultować się z lekarzem.
- Nigdy nie wolno przekraczać dopuszczalnego udźwigu sprzętu zabezpieczającego.
- Nigdy nie wolno przekraczać maksymalnego dystansu swobodnego upadku danego sprzętu zabezpieczającego.
- Nie wolno używać sprzętu chroniącego przed upadkiem, który nie przeszedł pomyślnie kontroli okresowej lub przed oddaniem go do użytku albo jeśli użytkownik ma wątpliwości dotyczące korzystania lub przydatności sprzętu w danej aplikacji. W razie pytań należy kontaktować się z działem pomocy technicznej firmy 3M.
- Niektóre połączenia podsystemów i elementów mogą niekorzystnie wpływać na działanie tego sprzętu. Stosować wyłącznie zgodne rodzaje połączeń. Przed zastosowaniem tego sprzętu w połączeniu z elementami lub podsystemami innymi niż opisane w instrukcji użytkownika należy skonsultować się z firmą 3M.
- Stosuj zwiększone środki ostrożności podczas pracy w pobliżu ruchomego sprzętu (np. górnych napędów wiertnic), źródeł zagrożeń elektrycznych, skrajnych temperatur, zagrożeń chemicznych, zagrożenia wybuchem oraz toksycznych gazów, ostrych krawędzi oraz pod obiektami znajdującymi się nad użytkownikiem, które mogą spaść na użytkownika lub na sprzęt zabezpieczający przed upadkiem.
- W przypadku wykonywania prac w miejscach, w których występują wysokie temperatury, należy używać urządzeń z łukiem elektrycznym lub do prac gorących.
- Należy unikać powierzchni i obiektów, które mogą spowodować urazy ciała użytkownika lub uszkodzenie sprzętu.
- Należy zapewnić wystarczającą wolną przestrzeń dla upadku podczas prowadzenia prac na wysokościach.
- Nigdy nie wolno modyfikować ani przerabiać sprzętu zabezpieczającego przed upadkiem. Sprzęt może być naprawiany tylko przez firmę 3M lub podmioty upoważnione przez nią na piśmie.
- Przed użyciem sprzętu zabezpieczającego przed upadkiem należy upewnić się, że obowiązują odpowiednie procedury ratownicze zapewniające podjęcie odpowiednich działań ratowniczych w razie upadku.
- Jeśli dojdzie do upadku, osobie poszkodowanej należy natychmiast zapewnić pomoc medyczną.
- W przypadku zastosowań związanych z zabezpieczeniem przed upadkiem nie stosować pasów na całe ciało. Należy wyłącznie używać szelek bezpieczeństwa na całe ciało.
- Należy minimalizować zagrożenie upadkiem w wyniku zakotwienia, pracując tak blisko punktu kotwiczącego, jak to tylko możliwe.
- Podczas czynności szkoleniowych związanych z tym urządzeniem konieczne jest stosowanie pomocniczego systemu zabezpieczającego przed upadkiem, aby nie narazić szkolonego pracownika na ryzyko upadku.
- Zawsze należy nosić odpowiedni sprzęt ochrony osobistej podczas instalowania, użytkowania lub przeprowadzania inspekcji urządzenia/systemu.

Przed przystąpieniem do użytkowania urządzenia należy odnotować dane identyfikacyjne produktu (patrz rysunek 8) w Dzienniku kontroli i konserwacji w tabeli 2 zamieszczonej na końcu niniejszej instrukcji.

Należy zawsze upewnić się, by korzystać z najnowszej wersji instrukcji obsługi firmy 3M. Zaktualizowane instrukcje obsługi można uzyskać na stronie internetowej firmy 3M lub kontaktując się z działem technicznym firmy 3M.

## OPIS

Regulowana linka bezpieczeństwa 3M™ Protecta® TRIGGER™ służy do stosowania jako element indywidualnego systemu ustalającego pozycję podczas pracy. Systemy ustawiania pozycji podczas pracy zwykle składają się z pełnych szelek bezpieczeństwa lub pasa na całe ciało, pozycjonującej linki bezpieczeństwa oraz osobistego systemu zabezpieczenia przed upadkiem. System regulacji zapewnia opcję łatwego dopasowania długości linki bezpieczeństwa podczas użycia. To urządzenie może być wykorzystywane do zabezpieczenia przed upadkiem i konieczne może być uzupełnienie systemu ustalającego pozycję podczas pracy o środki ochrony zbiorowej (np. siatki asekuracyjne) lub środki ochrony indywidualnej (np. systemy zabezpieczenia przed upadkiem) w celu ochrony przed upadkiem z wysokości.

Na rysunku 1 przedstawiono regulowaną pozycjonującą linkę bezpieczeństwa omówioną w tej instrukcji. Dostępne są różne modele o różnych kombinacjach poniższych funkcji:

**Tabela 1 – dane techniczne**

<b>DANE TECHNICZNE ELEMENTÓW</b>		
<b>Rysunek 1 dotyczy następujących elementów:</b>		<b>Opis:</b>
<b>Łącznik na ciało</b>	①	TRIGGER™ – urządzenie do regulowania liny
	②	AJ514/0
	③	AJ572/0
	④	AJ501/0
<b>Linowy łącznik wspierający</b>	⑤	AJ523/0
	⑥	20LF
	⑦	AJ565/0
	⑧	AJ595/0
<b>Liny</b>	⑨	Lina statyczna – 10,5 mm (0,41 in.)
<b>Dodatkowa funkcja</b>	⑩	Odporna na ścieranie tuleja ochronna liny
<b>Koniec liny</b>	⑪	Prosty węzeł na końcu liny
<b>Etykiety</b>	⑫	Etykiety

## **DANE TECHNICZNE SYSTEMU**

### **Skuteczność działania:**

LY	Długość linki bezpieczeństwa (patrz rysunek 1).
Nośność:	1 osoba o łącznej wadze (z ubraniem, narzędziami itd.) nieprzekraczającej: 140 kg (309 lbf)
Temperatura robocza:	Minimum: -35°C (-31°F) Maksimum: +57°C (135°F)

### **Materiały:**

Element korpusu urządzenia:	Stal nierdzewna, stal stopowa, stop aluminium i guma – wytrzymałość na rozciąganie 22 kN (4946 lbf)
Karabińczyki:	Stop stalowy, Aluminium - 22 kN (4 946 lbf) Minimum Wytrzymałość na rozciąganie
Haki:	Stal, stal nierdzewna oraz cynkowana lub chromowana – wytrzymałość na rozciąganie 22 kN (4946 lbf)
Lina:	Nylon - 22 kN (4 946 lbf) Wytrzymałość na rozciąganie
Pokrowiec na linę:	Poliester, Nylon

## 1.0 ZASTOSOWANIA

- 1.1 PRZEZNACZENIE:** Linki bezpieczeństwa zostały zaprojektowane jako element indywidualnego systemu zabezpieczenia przed upadkiem (patrz rysunek 2). W zależności od typu, mogą one amortyzować energię upadku, ograniczać siłę upadku oddziałującą na ciało lub być wykorzystywane do pozycjonowania i ograniczania ruchu podczas pracy. Na rysunku 1 pokazano modele linek bezpieczeństwa, które zostały omówione w tej instrukcji. Można je wykorzystywać w większości sytuacji, w których wymagane jest połączenie mobilności pracownika i zabezpieczenia przed upadkiem (np. prace inspekcyjne, ogólnobudowlane, konserwacyjne, przetwórstwo ropy, prace w przestrzeni ograniczonej itd.).
- 1.2 NORMY:** Linka bezpieczeństwa spełnia wymagania krajowych i regionalnych norm podanych na okładce niniejszej instrukcji. Aby uzyskać dalsze informacje dotyczące systemów indywidualnego zabezpieczenia przed upadkiem, należy zapoznać się z lokalnymi przepisami BHP. Jeśli niniejszy produkt podlega odsprzedaży poza pierwotnym krajem przeznaczenia, odsprzedawca powinien dostarczyć niniejszą instrukcję w języku używanym w kraju użytkownika tego produktu.
- 1.3 SZKOLENIE:** Niniejsze urządzenie jest przeznaczone do wykorzystania przez osoby przeszkolone w zakresie jego prawidłowego stosowania i użycia. Do odpowiedzialności użytkownika należy zapewnienie, by osoby te były zaznajomione z niniejszą instrukcją oraz przeszkolone w zakresie prawidłowego wykorzystania tego urządzenia i dbania o nie. Użytkownicy muszą również mieć świadomość charakterystyki roboczej, ograniczeń stosowania i konsekwencji niewłaściwego wykorzystania.
- 1.4 WYMAGANIA:** Zawsze podczas instalowania lub wykorzystywania tego urządzenia należy brać pod uwagę następujące ograniczenia:

- **Nośność:** Linki bezpieczeństwa służą do używania przez jedną osobę o łącznej wadze (wraz z odzieżą, narzędziami itp.) zgodnej z Zakresem wagi podanym na tabeli 1 dla danego modelu linki bezpieczeństwa. Należy upewnić się, że wszystkie elementy systemu mają nośność odpowiednią dla wymaganego zastosowania.
- **Punkt kotwiczący:** Punkty kotwiczące wybrane dla systemów zabezpieczenia przed upadkiem muszą mieć możliwość wytrzymania obciążeń statycznych oddziałujących w kierunkach dozwolonych przez cały system o wartości co najmniej:
  - A. 12 kN (2 698 lb) dla metalowych urządzeń kotwiczących lub 18 kN (4 047 lb) dla tekstylnych urządzeń kotwiczących dla punktów kotwiczących bez certyfikacji lub
  - B. Dwukrotność maksymalnej siły zatrzymującej dla punktów kotwiczących z certyfikatem.Jeśli jest to dozwolone dla danego typu urządzenia kotwiczącego, gdy do punktu kotwiczącego przymocowano więcej niż jeden system zabezpieczenia przed upadkiem, wartości wytrzymałości podane w punktach (1) i (2) powyżej należy pomnożyć przez liczbę systemów przymocowanych do punktu kotwiczącego.
- **Upadki w wyniku zakołysania:** Upadki w wyniku zakołysania zdarzają się, gdy punkt kotwiczący nie jest umieszczony bezpośrednio nad punktem, w którym występuje upadek. Siła uderzenia w obiekt podczas upadku w wyniku zakołysania może spowodować poważne obrażenia ciała (patrz rysunek 3). Należy minimalizować zagrożenie upadku w wyniku zakołysania, pracując tak blisko punktu kotwiczącego, jak to tylko możliwe. Zawsze ustawiaj i / lub reguluj ściągacz linowy w taki sposób, aby punkt kotwienia utrzymywał się na poziomie talii lub powyżej; smycz jest napięta; a swobodny ruch jest ograniczony do maksymalnie 0,6 m (1,97 stopy).
- **Zagrożenia:** Użytkowanie tego sprzętu w obszarach, w których występują zagrożenia, może wymagać zastosowania dodatkowych środków ostrożności w celu zmniejszenia prawdopodobieństwa doznania obrażeń ciała przez użytkownika lub uszkodzenia sprzętu. Zagrożenia mogą obejmować między innymi: wysoką temperaturę, żrące substancje chemiczne, środowiska korozyjne, linie wysokiego napięcia, wybuchowe lub toksyczne gazy, ruchome maszyny lub materiały znajdujące się u góry, które mogą spaść i zetknąć się z użytkownikiem lub systemem zabezpieczenia przed upadkiem. Należy unikać pracowania w taki sposób, by linka bezpieczeństwa mogła się krzyżować lub splątać z linką innego pracownika. Należy unikać pracy w miejscach, w których obiekty mogą upaść i uderzyć z linkę bezpieczeństwa, powodując utratę równowagi pracownika lub uszkodzenie samej linki. Nie należy dopuścić do tego, aby linka bezpieczeństwa przechodziła pod ramionami lub pomiędzy nogami.

## 2.0 UŻYCIE

- 2.1 PLAN ZABEZPIECZENIA PRZED UPADKIEM ORAZ PLAN RATUNKOWY:** Pracodawca musi posiadać wdrożony plan zabezpieczenia przed upadkiem oraz plan ratunkowy. Plan ten powinien obejmować wytyczne i wymagania dotyczące programu zabezpieczenia przed upadkiem zarządzanego przez pracodawcę, z uwzględnieniem zasad, obowiązków i szkoleń, procedury zabezpieczenia przed upadkiem, eliminację i kontrolę zagrożeń upadkiem, procedury ratunkowe, badanie incydentów, a także ocenę skuteczności programu.
- 2.2 CZĘSTOTLIWOŚĆ KONTROLI:** Pracownicy<sup>1</sup> powinni sprawdzić linki bezpieczeństwa przed każdym użyciem. Ponadto kontrole powinny być przeprowadzane przez kompetentną osobę<sup>2</sup> inną niż użytkownik. Ekstremalne warunki robocze (wymagające środowisko, długi czas użycia itd.) mogą wymagać, aby kompetentna osoba częściej przeprowadzała kontrolę. Kompetentna osoba określi odpowiednie odstępy czasu między kontrolami. Procedury kontroli są opisane w części *Dziennik kontroli i konserwacji* (tabela 2). Wyniki każdej kontroli wykonanej przez kompetentną osobę należy rejestrować w *Dzienniku kontroli i konserwacji* lub zapisywać w systemie RFID.
- 2.3 ZGODNOŚĆ CZĘŚCI:** O ile nie podano inaczej, urządzenia 3M są zaprojektowane do wykorzystania wyłącznie z zatwierdzonymi elementami i podsystemami 3M. Zastępowanie lub wymienianie elementów lub podsystemów na takie, które nie zostały zatwierdzone może mieć negatywny wpływ na kompatybilność sprzętu oraz wpływać na bezpieczeństwo i niezawodność systemu jako całości.
- 2.4 ZGODNOŚĆ ŁĄCZNIKÓW:** Łączniki są uważane za kompatybilne z elementami łączącymi, jeśli zostały zaprojektowane do współpracy z nimi w taki sposób, że ich rozmiary i kształty nie powodują niezamierzonego otwierania mechanizmów zamknięć, bez względu na ich ustawienie. W razie pytań dotyczących kompatybilności należy skontaktować się z firmą 3M. Łączniki (haki, karabińczyki i klamry typu D) muszą mieć wytrzymałość co najmniej 22 kN (5000 lb). Łączniki muszą być kompatybilne z punktem kotwiczącym i innymi elementami systemu. Nie wolno używać niekompatybilnego sprzętu. Niezgodne łączniki mogą się rozłączyć w niezamierzony sposób (patrz rysunek 4). Łączniki muszą być zgodne pod względem wielkości, kształtu i wytrzymałości. Wymagane są samozatraskowe się karabińczyki oraz karabińczyki hakowe. Jeżeli element łączący, do którego przypięty jest karabińczyk hakowy lub karabińczyk, ma zbyt małe wymiary lub nieregularny kształt, może dojść do sytuacji, w której element łączący będzie oddziaływał siłą na zamknięcie karabińczyka lub karabińczyka hakowego (A). Ta siła może spowodować otwarcie zamknięcia (B), co umożliwi odłączenie się od punktu zaczepienia (C) karabińczyka zatraskowego lub karabińczyka.

**1 Pracownik:** Dowolna osoba chroniona przez aktywny system ochrony przed upadkiem lub, w przypadku systemów zabezpieczenia przed upadkiem, dowolna osoba, która może upaść, będąc przymocowana do systemu.

**2 Kompetentna osoba:** Osoba wyznaczona przez pracodawcę jako osoba odpowiedzialna za bezpośredni nadzór, wdrażanie i monitorowanie zarządzanego przez pracodawcę programu ochrony przed upadkami, która dzięki szkoleniom i posiadanej wiedzy jest w stanie identyfikować, oceniać i reagować na istniejące oraz potencjalne ryzyko upadku i która jest upoważniona przez pracodawcę do niezwłocznego podejmowania działań naprawczych dotyczących tego ryzyka.

- 2.5 TWORZENIE POŁĄCZEŃ:** Karabińczyki hakowe i karabińczyki wykorzystywane z tym urządzeniem muszą być typu samozatraskowego. Należy zadbać, aby wszystkie połączenia były zgodne pod względem rozmiaru, kształtu i wytrzymałości. Nie wolno używać niekompatybilnego sprzętu. Należy upewnić się, że wszystkie łączniki są całkowicie zamknięte i zablokowane. Łączniki 3M (karabińczyki hakowe i karabińczyki) zostały zaprojektowane do użytku wyłącznie w sposób określony w instrukcjach poszczególnych produktów. Na rysunku 5 pokazane zostały przykłady nieprawidłowych połączeń. Karabińczyków hakowych i karabińczyków nie należy podłączać:
- A. Do klamer typu D, do których przypięto już inny łącznik.
  - B. W sposób, który może przyczynić się do obciążenia zamknięcia. Nie należy przypinać karabińczyków zatraskowych o dużych rozmiarach zatrasku do klamer typu D o standardowym rozmiarze ani do innych podobnych obiektów, ponieważ może to spowodować obciążenie zatrasku, gdy karabińczyk lub klamra typu D skręci się lub obróci, chyba że karabińczyk zatraskowy jest wyposażony w zatrask odporny na działanie siły o wartości 16 kN (3600 lb).
  - C. W sposób pozorny, gdy rozmiar lub kształt pasujących łączników jest niezgodny oraz bez wzrokowego potwierdzenia nie można stwierdzić, czy łączniki są w pełni połączone.
  - D. Do siebie nawzajem.
  - E. Bezpośrednio do linki bezpieczeństwa w formie taśmy lub linki albo do kotwiczącej linki bezpieczeństwa (chyba że w instrukcjach dostarczonych przez producenta linki bezpieczeństwa i łącznika wyraźnie dopuszczono takie połączenie).
  - F. Do żadnego obiektu, którego kształt lub wymiary uniemożliwiają zamknięcie i zablokowanie karabińczyka hakowego lub karabińczyka albo mogą spowodować jego wysunięcie.
  - G. W sposób, który nie pozwala na właściwe ułożenie łącznika pod obciążeniem.

### 3.0 INSTALACJA I USTAWIANIE

- 3.1 PLANOWANIE:** System ograniczenia upadku należy planować przed rozpoczęciem pracy. Należy uwzględnić wszystkie czynniki, które mogą wpłynąć na bezpieczeństwo przed, podczas i po upadku. Należy uwzględnić wszystkie wymagania i ograniczenia zdefiniowane w punkcie 1.
- 3.2 PUNKT KOTWICZĄCY:** Miejsce punktu kotwiczącego należy wybrać pod kątem minimalnych zagrożeń ze strony upadku swobodnego i upadku w wyniku zakoleśnięcia (patrz punkt 1). Należy wybrać sztywny punkt kotwiczący zdolny do wytrzymania obciążeń statycznych określonych w punkcie 1.
- 3.3 MOCOWANIE SZELEK BEZPIECZEŃSTWA:** Linkę bezpieczeństwa ograniczającą ruch/pozycjonującą podczas pracy należy stosować z pełnymi szelkami bezpieczeństwa lub pasem na całe ciało. W przypadku zastosowań do ograniczenia ruchu linkę bezpieczeństwa należy przymocować do odpowiedniego elementu mocowania (klamry typu D) na szelkach bezpieczeństwa lub na pasie. Jeśli chodzi o inne zastosowania do ochrony przed upadkiem i zalecane sposoby mocowania, należy zapoznać się z instrukcjami dołączonymi do szelek bezpieczeństwa lub do pasa.
- 3.4 PODŁĄCZ DO POZYCJONUJĄCEJ LINKI BEZPIECZEŃSTWA:** Podczas podłączania należy zapewnić, że nie dojdzie do wyczepienia. (Patrz punkt 2.5 „Połączenia”) Do wyczepienia dochodzi, gdy interferencja między hakiem a łącznikiem dopasowującym powoduje niezamierzone otwarcie i zwolnienie mocowania haka.
- KROK 1:** Podłącz zabezpieczający linowy łącznik wspierający (patrz rysunek 1) do lewej strony klamry typu D znajdującej się na pasie na całe ciało operatora lub szelkach bezpieczeństwa na całe ciało.
- KROK 2:** Umieść linkę bezpieczeństwa dookoła bezpiecznego punktu kotwiczącego o nośności 12 kN (2 698 lb) lub większej. Sprawdź, czy linka bezpieczeństwa jest zabezpieczona w sposób uniemożliwiający zsuniecie się poniżej urządzenia kotwiczącego.
- KROK 3:** Podłącz łącznik linki bezpieczeństwa na ciało (patrz rysunek 1) do przeciwległej klamry typu D. Po podłączeniu zamek karabińczyka lub karabińczyka hakowego musi być skierowany na zewnątrz, tyłem do użytkownika.
- KROK 4:** Aby skrócić linę, pociągnij ogon bezpośrednio w stronę punktu kotwiczącego. (Rysunek 6)
- KROK 5:** Pozwól, aby lina przechodziła przez regulator, pochylając się do tyłu. Zwolnij regulator, gdy będzie w żądanym położeniu. (Rysunek 7)
- KROK 6:** Potwierdź bezpieczne zakotwiczenie, odpowiednie połączenia i regulację liny:
- Punkt kotwiczący ma odpowiednią wytrzymałość.
  - Karabińczyk i karabińczyk hakowy są prawidłowo podłączone do szelek bezpieczeństwa na całe ciało lub pasa na całe ciało.
  - Linka bezpieczeństwa nie może ześlizgnąć się ani zsunąć poniżej punktu kotwiczącego.
  - Linka bezpieczeństwa jest prawidłowo naprężona.

Nie wolno wykorzystywać karabinka hakowego ani karabińczyka do przypinania z powrotem do linki. Oba łączniki muszą być połączone po odpowiedniej stronie klamer typu D. Nie wolno nigdy używać regulowanej pozycjonującej linki bezpieczeństwa z tylko jednym łącznikiem przymocowanym do szelek bezpieczeństwa na całe ciało.

### 4.0 OBSŁUGA

Przed użyciem linek bezpieczeństwa (linek bezpieczeństwa) nowi lub niedoświadczeni użytkownicy powinni zapoznać się z „Informacjami na temat bezpieczeństwa” znajdującymi się na początku tego podręcznika.

- 4.1 KONTROLA W WYKONANIU PRACOWNIKA:** Przed każdym użyciem należy skontrolować linkę bezpieczeństwa według listy kontrolnej zawartej w *Dzienniku przeglądów i konserwacji (tabela 2)*. Jeżeli kontrola ujawni niebezpieczny stan albo wskaże, że linka bezpieczeństwa uległa uszkodzeniu bądź została poddana oddziaływaniu sił upadku, linkę bezpieczeństwa należy wycofać z eksploatacji i poddać utylizacji.
- 4.2 OBSŁUGA:** Zawsze należy mocować koniec linki bezpieczeństwa z szelkami bezpieczeństwa do pełnych szelek bezpieczeństwa lub do pasa na całe ciało, a następnie koniec nogi do odpowiedniego punktu kotwiczącego. Zawsze należy minimalizować luz na linie bezpieczeństwa w pobliżu zagrożenia upadkiem, pracując jak najbliżej punktu

kotwiczącego. Szczegółowe informacje na temat mocowania szelek bezpieczeństwa i punktu kotwiczącego można znaleźć w punkcie 3. Regularnie sprawdzaj elementy mocujące i / lub regulacyjne podczas użytkowania.

**4.3 PO UPADKU:** Wszelkie linki bezpieczeństwa, które zostały podane działaniu sił występujących przy wyhamowywaniu upadku lub wykazują uszkodzenie mogące wynikać z działania takich sił zgodnie z opisem w *Dzienniku przeglądów i konserwacji (tabela 2)* należy natychmiast wycofać z eksploatacji i poddać utylizacji.

## 5.0 PRZEGLĄD

**5.1 CZĘSTOTLIWOŚĆ KONTROLI:** Linkę bezpieczeństwa należy kontrolować w odstępach czasu określonych w punkcie 2. Procedury kontroli są opisane w części „Dziennik kontroli i konserwacji” (tabela 2).

*Ekstremalne warunki pracy (trudne otoczenie, długi czas użytkowania itp.) mogą spowodować, że konieczne będzie zwiększenie częstotliwości kontroli.*

**5.2 STANY NIEBEZPIECZNE LUB WADLIWE:** jeśli kontrola ujawni niebezpieczny stan lub wadliwe elementy, linkę bezpieczeństwa należy natychmiast wycofać z eksploatacji i zniszczyć, aby zapobiec przypadkowemu użyciu. Linki bezpieczeństwa nie podlegają naprawie.

**5.3 TRWAŁOŚĆ PRODUKTU:** okres eksploatacji linek bezpieczeństwa marki 3M jest zależny od warunków roboczych i konserwacji. Maksymalny okres eksploatacji może wynosić od roku w przypadku intensywnego użytkowania w ekstremalnych warunkach do 10 lat w przypadku mało intensywnego użytkowania w sprzyjających warunkach. Produkt ten może pozostać w eksploatacji tak długo, jak długo spełnia kryteria kontroli – maksymalnie przez 10 lat.

## 6.0 KONSERWACJA, NAPRAWY I PRZECHOWYWANIE

*Nie czyścić i nie dezynfekować linek bezpieczeństwa w sposób inny niż opisany w poniższych „Instrukcjach czyszczenia”. Inne metody mogą mieć niekorzystny wpływ na linki bezpieczeństwa lub użytkownika.*

**6.1 CZYSZCZENIE:** Procedury czyszczenia linek bezpieczeństwa są następujące:

- Okresowo czyścić zewnętrzną powierzchnię linki bezpieczeństwa przy użyciu wody i łagodnego detergentu. Temperatura wody nie może przekraczać 40°C (104°F). Linkę bezpieczeństwa ustawić w pozycji umożliwiającej ścieknięcie nadmiaru wody. Nie prać chemicznie. Nie prasować. Oczyszczyć etykiety, jeżeli będzie to niezbędne.
- Spłukać i dokładnie wysuszyć strumieniem powietrza. Nie suszyć z użyciem gorącego powietrza.

*Do prania linek bezpieczeństwa stosować detergent bez wybielaczy. Do prania i suszenia linek bezpieczeństwa NIE NALEŻY stosować zmiękczaczy ani osuszaczy do tkanin.*

**6.2 NAPRAWA:** Linki bezpieczeństwa nie podlegają naprawie. Jeżeli linka bezpieczeństwa zostanie uszkodzona bądź poddana działaniu siły upadku lub kontrola wykaże, że jest wadliwa albo nie zapewnia bezpiecznej pracy, linkę należy natychmiast wycofać z eksploatacji i poddać utylizacji.

**6.3 PRZECHOWYWANIE I TRANSPORT:** Linki bezpieczeństwa należy transportować i przechowywać w chłodnym, suchym i czystym otoczeniu z dala od bezpośredniego działania promieni słonecznych. Należy unikać miejsc, w których mogą występować opary chemiczne. Po każdym dłuższym okresie przechowywania należy przeprowadzić dokładny przegląd linki bezpieczeństwa.

## 7.0 ETYKIETY

Na rysunku 8 przedstawiono etykiety znajdujące się na linkach bezpieczeństwa oraz ich umiejscowienie. Na linie bezpieczeństwa muszą się znajdować wszystkie etykiety - patrz rysunek 1. Informacje na etykietach:

Patrz rysunek 8:	Opis:
①	Numer modelu
②	Numer seryjny
③	Numer partii
④	Adres producenta
⑤	Patrz instrukcje
⑥	Norma europejska
⑦	Znak CE
⑧	Numer jednostki notyfikowanej wykonującej badanie zgodności z typem
⑨	Długość
⑩	Miesiąc produkcji
⑪	Rok produkcji
⑫	Adres internetowy producenta
⑬	Średnica liny
⑭	Pojemność



## INFORMAÇÕES DE SEGURANÇA

**Certifique-se de que lê, compreende e segue todas as informações de segurança contidas nestas instruções antes de utilizar esta Correia de posicionamento de trabalho/restricção de movimento. O INCUMPRIMENTO DESSAS INSTRUÇÕES PODERÁ RESULTAR EM LESÕES GRAVES OU MORTE.**

Estas instruções têm de ser fornecidas ao utilizador deste equipamento. Guarde estas instruções para referência futura.

### Uso previsto:

Esta Correia de posicionamento de trabalho/restricção de movimento é utilizada como parte de um sistema pessoal completo de proteção contra quedas. As Correias de posicionamento de trabalho/restricção de movimento são usadas para impedir que o utilizador seja atingido ou exposto a um perigo de queda.

A sua utilização noutras circunstâncias incluindo, sem limitações, atividades de manuseamento de materiais, atividades recreativas ou relacionadas com desporto ou outras atividades não descritas nas Instruções para o utilizador, não é aprovada pela 3M e pode resultar em ferimentos graves ou morte.

Este dispositivo só deve ser utilizado por pessoas que tenham recebido formação e no local de trabalho.

### AVISO

Esta Correia de posicionamento de trabalho/restricção de movimento constitui parte de um sistema pessoal de proteção contra quedas. Todos os utilizadores devem receber formação quanto à instalação e manuseamento seguros do seu sistema de proteção anti-queda pessoal. **A má utilização deste dispositivo pode resultar em ferimentos graves ou morte.** Para a devida seleção, manuseamento, instalação, manutenção e reparação, consulte estas Instruções para o utilizador e todas as recomendações do fabricante, consulte o seu supervisor ou contacte os serviços técnicos da 3M.

- **Para minimizar os riscos associados à utilização de uma Correia de posicionamento de trabalho/restricção de movimento que, caso não evitados, podem resultar em ferimentos graves ou morte:**
  - Utilize este dispositivo apenas para aplicações de posicionamento de trabalho ou restricção de movimentos. As Correias de posicionamento de trabalho devem ser configuradas para limitar a distância de queda livre a dois pés, ou menos, assim como a queda em pêndulo. As Correia de restricção de movimento são usadas para impedir que o utilizador seja atingido ou exposto a um perigo de queda.
  - Nunca use esta correia (por exemplo, correia de absorção não energética) como dispositivo primário de detenção da queda.
  - Inspeccione o dispositivo antes de cada utilização, pelo menos uma vez por ano, e após cada incidente de queda. Inspeccione de acordo com as Instruções para o utilizador.
  - Se a inspeção revelar uma condição defeituosa, retire imediatamente o dispositivo de serviço e elimine-o.
  - Qualquer dispositivo que tiver sido sujeito a forças de detenção da queda ou de impacto, deve ser imediatamente retirado de serviço. Consulte o Manual de instruções ou contacte o Departamento de proteção contra quedas da 3M.
  - Assegure-se de que todos os subsistemas de ligação (por exemplo, correias) são mantidos longe de todos os perigos, incluindo mas não se limitando a, enroscamento com outros trabalhadores, tropeço, máquinas em movimento ou outros objetos circundantes.
  - Assegure-se que uma proteção adequada das bordas é aplicada se a corda de segurança estiver em contacto com bordas ou cantos afiados.
  - Assegure-se que o dispositivo é adequadamente manipulado para a utilização a que se destina.
  - Prenda a(s) perna(s) não utilizada(s) da correia ao(s) encaixe(s) do arnês, se instalado.
  - Não amarre nem dê nós na correia.
  - Não exceda o número de utilizadores permitidos.
  - Assegure-se de que os sistemas/subsistemas de proteção anti-queda, montados com componentes produzidos por diferentes fabricantes, são compatíveis e satisfazem os requisitos das normas aplicáveis, incluindo a ANSI Z359 ou outros códigos, normas ou requisitos de proteção anti-queda aplicáveis. Consulte sempre uma Pessoa competente ou Qualificada antes de utilizar estes sistemas.
- **Para minimizar os riscos associados à utilização em trabalhos em altura que, caso não evitados, podem resultar em ferimentos graves ou morte:**
  - Certifique-se de que a sua condição física e o seu estado de saúde lhe permitem suportar, com segurança, todas as forças associadas ao trabalho em altura. Consulte um médico caso tenha alguma questão quanto à sua capacidade de utilizar este equipamento.
  - Nunca exceda a capacidade permitida do seu equipamento de proteção anti-queda.
  - Nunca exceda a distância de queda livre máxima do seu equipamento de proteção anti-queda.
  - Não utilize qualquer equipamento de proteção anti-queda que não cumpra os critérios predefinidos ou outras inspeções agendadas ou caso tenha dúvidas quanto à utilização ou adequação do equipamento no seu trabalho. Contacte os serviços técnicos da 3M se tiver dúvidas.
  - Algumas combinações de subsistemas e componentes podem interferir com o funcionamento deste equipamento. Utilize apenas conectores compatíveis. Consulte a 3M quando instalar ou utilizar este equipamento em combinação com componentes ou subsistemas diferentes dos descritos nas Instruções para o utilizador.
  - Tome precauções adicionais ao trabalhar perto de maquinaria em movimento (por exemplo, sistema top drive das plataformas petrolíferas), quanto a perigos elétricos, temperaturas extremas, perigos químicos, gases explosivos ou tóxicos, bermas afiadas ou materiais suspensos que possam cair em cima de si ou do seu equipamento de proteção anti-queda.
  - Utilize equipamentos de proteção contra soldadura por arco elétrico ou materiais inflamáveis ao trabalhar em ambientes de temperatura elevada.
  - Evite superfícies ou objetos que possam causar-lhe ferimentos ou danificar o equipamento.
  - Certifique-se de que existe uma altura livre de queda ao trabalhar em alturas.
  - Nunca modifique ou altere o equipamento de proteção anti-queda. Apenas a 3M ou terceiros com autorização escrita da 3M podem efetuar reparações neste equipamento.
  - Antes de utilizar equipamento de proteção anti-queda, certifique-se de que existe um plano de resgate pronto a ser acionado caso ocorra um incidente de queda.
  - No caso de um incidente de queda, solicite imediatamente ajuda médica para o trabalhador que caiu.
  - Não utilize um cinto de corpo inteiro para aplicações de paragem de queda. Utilize apenas um arnês de corpo inteiro.
  - Minimize as quedas em oscilação trabalhando o mais possível diretamente abaixo do ponto de ancoragem.
  - Se o dispositivo for utilizado durante uma formação, deve ser utilizado um sistema de proteção anti-queda secundário para garantir que o formando não fica exposto a perigos de queda.
  - Utilize sempre equipamento de proteção individual adequado durante a instalação, utilização ou inspeção do dispositivo/sistema.



Antes de utilizar este equipamento, registre os dados de identificação do produto (consulte a Figura 8) na Tabela 2 do "Registo de inspeções e manutenções", no verso deste manual.

Certifique-se sempre de que está a utilizar a versão mais recente do seu manual de instruções da 3M. Visite o website da 3M ou contacte os Serviços Técnicos da 3M para obter manuais de instruções atualizados.

## DESCRIÇÃO

O cabo de segurança ajustável 3M™ Protecta® Trigger™ destina-se a ser utilizado como parte de um sistema pessoal de posicionamento de trabalho. Os sistemas de posicionamento no trabalho incluem normalmente um arnês de corpo inteiro ou cinto de segurança, cabo de segurança de posicionamento e um sistema pessoal de detenção da queda de reserva. O sistema de ajuste tem a opção de ajustar facilmente o comprimento do cabo de segurança durante a utilização. Este equipamento não é adequado para fins de detenção da queda e é necessário para complementar sistemas para posicionamento de trabalho com meios coletivos (por exemplo, redes de segurança) ou meios pessoais (por exemplo, sistemas de detenção da queda) de proteção antiqueda de alturas elevadas.

A Figura 1 identifica o cabo de segurança de posicionamento de trabalho ajustável abrangidos por estas instruções. Estão disponíveis modelos diferentes com diversas combinações das seguintes características:

**Tabela 1 – Especificações**

<b>ESPECIFICAÇÕES DOS COMPONENTES</b>		
<b>Referência na Figura 1:</b>		<b>Descrição:</b>
<b>Conetor de corpo</b>	①	Trigger™ dispositivo de ajuste de corda
	②	AJ514/0
	③	AJ572/0
	④	AJ501/0
<b>Conetor de suporte da corda</b>	⑤	AJ523/0
	⑥	20LF
	⑦	AJ565/0
	⑧	AJ595/0
<b>Cordas</b>	⑨	Corda estática - 10,5 mm (0,41 in.)
<b>Características adicionais</b>	⑩	Manga de cobertura da corda de proteção resistente à abrasão
<b>Terminação de corda</b>	⑪	Nó simples na extremidade da corda
<b>Etiquetas</b>	⑫	Etiquetas

<b>ESPECIFICAÇÕES DO SISTEMA</b>	
<b>Desempenho:</b>	
LY	Comprimento do cabo de segurança (consulte a Figura 1).
Capacidade:	1 pessoa com um peso combinado (vestuário, ferramentas, etc.) máximo de: 140 kg (309 libras)
Temperatura de funcionamento:	Mínimo: -35 °C (-31 °F) Máxima: +57 °C (135 °F)
<b>Materiais:</b>	
Componentes do corpo do dispositivo:	Aço inoxidável, liga de aço, liga de alumínio e borracha - Tensão de rutura de 22 kN (4946 libras)
Mosquetões:	Liga de aço, Alumínio - 22 kN (4 946 lbf) Mínima Tensão de rotura
Ganchos:	Aço, aço inoxidável e zinco e ou cromado - Tensão de rutura de 22 kN (4946 libras)
Corda:	Nylon - 22 kN (4 946 lbf) Tensão de rotura
Cobertura de corda:	Poliéster, Nylon

## 1.0 APLICAÇÕES

- 1.1 OBJETIVO:** Os cabos de segurança foram concebidos para serem componentes num sistema pessoal de paragem de queda (Personal Fall Arrest System, ver a Figura 2). Podem dissipar a energia da queda, limitar as forças da queda transferidas para o corpo ou ser utilizados para posicionamento de trabalho e restrição, consoante o seu tipo. A Figura 1 identifica os modelos de cabo de segurança abrangidos por este manual de instruções. Podem ser utilizados na maioria das situações em que é necessária a combinação entre a mobilidade do trabalhador e a proteção antiqueda (ex.: trabalho de inspeção, construção geral, trabalho de manutenção, produção de petróleo, trabalho em espaços confinados, etc.).
- 1.2 NORMAS:** O seu cabo de segurança está em conformidade com as normas nacionais ou regionais identificadas na capa destas instruções. Consulte os requisitos locais que regem a segurança no trabalho para obter informações adicionais sobre sistemas pessoais de paragem de queda. Se este produto for revendido fora do país de destino original, o revendedor deve fornecer estas instruções na língua do país no qual o produto será usado.
- 1.3 FORMAÇÃO:** Este equipamento destina-se a ser utilizado por pessoas formadas na sua aplicação e utilização corretas. Compete ao utilizador certificar-se de que está familiarizado com estas instruções e de que adquire a formação sobre os cuidados e utilização corretos deste equipamento. Os utilizadores têm de estar conscientes das características de funcionamento, dos limites de aplicação e das consequências da sua utilização incorreta.
- 1.4 REQUISITOS:** Tenha sempre em consideração as seguintes limitações e requisitos quando instalar ou utilizar este equipamento:
- **Capacidade:** Os cabos de segurança destinam-se a serem utilizados por uma pessoa com um peso combinado (vestuário, ferramentas, etc.) que cumpra o intervalo de peso especificado na Tabela 1 para o modelo de cabo de segurança. Certifique-se de que todos os componentes do sistema possuem a capacidade nominal adequada para a aplicação necessária.
  - **Ancoragem:** Ancoragens selecionadas para sistemas de detenção da queda têm de conseguir sustentar cargas estáticas aplicadas nas direções permitidas pelo sistema completo de, no mínimo:
    - A. 12 kN (2 698 lb) para ancoragens de metal ou de 18 kN (4 047 lb) para ancoragens têxteis para ancoragens não certificadas, ou
    - B. Duas vezes a força de paragem máxima para ancoragens certificadas.Se for permitido, consoante o tipo de ancoragem, quando estiver preso mais do que um sistema de detenção da queda a uma ancoragem, as resistências indicadas em (1) e (2) acima deverão ser multiplicadas pelo número de sistemas presos à ancoragem.
  - **Pêndulos:** Os pêndulos ocorrem quando o ponto de ancoragem não se encontra diretamente acima do ponto onde ocorre uma queda. A força de embate num objeto num pêndulo pode provocar ferimentos graves (ver a Figura 3). Minimize as quedas em pêndulo trabalhando o mais possível diretamente abaixo do ponto de ancoragem. Sempre posicione e / ou ajuste o talabarte de tal maneira que o ponto de ancoragem seja mantido no nível da cintura ou acima dele; o talabarte é mantido firme; e, a livre circulação é restrita a um máximo de 0,6 m (1,97 pés).
  - **Riscos:** A utilização deste equipamento em áreas onde existem riscos envolventes pode exigir precauções adicionais para reduzir a possibilidade de ferimentos ao utilizador ou danos no equipamento. Os riscos podem incluir, mas de forma não limitativa: elevadas temperaturas, produtos químicos cáusticos, ambientes corrosivos, linhas de alta tensão, gases explosivos ou tóxicos, equipamentos móveis ou materiais localizados acima da cabeça que podem cair e embater no utilizador ou no sistema de detenção da queda. Evite trabalhar no local onde o seu cabo de segurança se pode cruzar ou emaranhar com a de outro trabalhador. Evite trabalhar no local onde um objeto pode cair e atingir o cabo de segurança, arriscando a perda de equilíbrio ou danos no mesmo. Não permita que o cabo de segurança passe por baixo dos braços ou entre as pernas.

## 2.0 UTILIZAR

- 2.1 PROTEÇÃO CONTRA QUEDA E PLANO DE SALVAMENTO:** O empregador deverá ter um plano de salvamento e proteção contra quedas. O plano deverá fornecer diretrizes e requisitos para um programa de detenção de quedas gerido pelo empregador, o qual deve incluir políticas, deveres e treino; procedimentos de proteção contra quedas; eliminação e controlo de perigos de queda; procedimentos de salvamento, investigações de incidentes; avaliação da eficácia do programa.
- 2.2 FREQUÊNCIA DE INSPEÇÃO:** Os cabos de segurança deverão ser inspecionados pelo trabalhador<sup>1</sup> antes de cada utilização. Adicionalmente, devem ser efetuadas inspeções, por uma pessoa competente<sup>2</sup> que não seja o utilizador. As condições de trabalho extremas (ambientes rigorosos, utilização prolongada, etc.) podem exigir o aumento da frequência das inspeções por pessoas competentes. A pessoa competente deve determinar os intervalos de inspeção adequados. Os procedimentos de inspeção são descritos em "*Registo de inspeção e manutenção*" (Tabela 2). Os resultados de cada inspeção efetuada por pessoas competentes devem ser registados no "*Registo de inspeção e manutenção*" ou registados no sistema de identificação por radiofrequência (RFID).
- 2.3 COMPATIBILIDADE DE COMPONENTES:** Salvo indicação em contrário, o equipamento da 3M destina-se a ser usado apenas com componentes e subsistemas aprovados pela 3M. As substituições efetuadas com componentes ou subsistemas não aprovados podem comprometer a compatibilidade do equipamento e podem afetar a segurança e fiabilidade de todo o sistema.
- 2.4 COMPATIBILIDADE DE CONETORES:** Os conetores são considerados compatíveis com elementos de ligação quando são concebidos para trabalhar em conjunto de modo a que os seus tamanhos e formas não provoquem a abertura involuntária dos seus mecanismos de fecho, independentemente da forma como ficam orientados. Contacte a 3M se tiver dúvidas em relação à compatibilidade. Os conetores (ganchos, mosquetões, argolas em D) devem ter capacidade para suportar pelo menos 22 kN (5.000 libras). Os conetores têm de ser compatíveis com a ancoragem ou com outros componentes do sistema. Não utilize equipamento que não seja compatível. Os conetores incompatíveis podem desprender-se involuntariamente (consulte a Figura 4). Os conetores têm de ser compatíveis em tamanho, forma e resistência. São necessários ganchos de engate rápido e mosquetões. Se o elemento de ligação ao qual se fixa o gancho de engate rápido ou mosquetão for demasiado pequeno ou tiver uma forma irregular, pode ocorrer uma

**1 Trabalhador:** Qualquer pessoa que tenha proteção antiqueda através de um sistema ativo de proteção antiqueda; ou, no caso de um sistema de detenção da queda; uma pessoa que pode cair enquanto está presa ao sistema.

**2 Pessoa competente:** Uma pessoa designada pelo empregador para ser o responsável pela supervisão imediata, implementação e monitorização do programa de proteção antiqueda gerido pelo empregador que, através de formação e conhecimentos, é capaz de identificar, avaliar e solucionar perigos de queda existentes e potenciais e que tem a autoridade do empregador para tomar medidas de correção imediatas relativamente a esses perigos.

situação no local onde o elemento de ligação aplica uma força à lingueta do gancho de engate rápido ou mosquetão (A). Esta força pode provocar a abertura da lingueta (B), permitindo que o gancho de engate rápido ou mosquetão se solte do ponto de ligação (C).

- 2.5 EFETUAR LIGAÇÕES:** Os ganchos de engate rápido e mosquetões utilizados com este equipamento têm de ser de bloqueio automático. Certifique-se de que todas as ligações são compatíveis em tamanho, forma e resistência. Não utilize equipamento que não seja compatível. Certifique-se de que todos os conetores estão totalmente fechados e bloqueados. Os conetores 3M (ganchos de engate rápido e mosquetões) foram concebidos para serem utilizados apenas como indicado no manual de instruções de cada produto. Consulte a Figura 5 para visualizar exemplos de ligações incorretas. Não ligue ganchos de engate rápido e mosquetões:
- A. A uma argola em D onde esteja preso outro conetor.
  - B. De forma a provocar uma sobrecarga no trinco. Os mosquetões de abertura larga não devem ser ligados a argolas em D de tamanho normal ou a objetos idênticos, pois esta situação irá resultar numa carga sobre o trinco caso o mosquetão ou o D-Ring gire ou rode, a não ser que o mosquetão esteja equipado com um trinco para 16 kN (3600 libras).
  - C. Numa ligação falsa, na qual o tamanho ou a forma dos conetores ligados não seja compatível, sem uma confirmação visual, os conetores aparentam estar plenamente engatados.
  - D. Entre si.
  - E. Diretamente à malha de rede ou cabo de tração de corda ou de amarração traseira (a não ser que as instruções do fabricante, para o cabo de tração e conetor, autorizem especificamente essa ligação).
  - F. A qualquer objeto que tenha uma forma ou dimensão que não permita que o gancho de engate rápido ou mosquetão feche ou tranque, ou de modo a que possa ocorrer um deslizamento.
  - G. De forma a não permitir que o conetor fique corretamente alinhado enquanto estiver sujeito a sobrecarga.

### 3.0 INSTALAÇÃO E AJUSTE

**3.1 PLANEAMENTO:** Planeie o seu sistema de proteção antiqueda antes de iniciar o trabalho. Tenha em consideração todos os fatores que possam afetar a sua segurança antes, durante e após uma queda. Tenha em consideração todos os requisitos e limitações definidos na Secção 1.

**3.2 ANCORAGEM:** Selecione um local de ancoragem com riscos mínimos de queda livre e de queda em oscilação (consulte a Secção 1). Selecione um ponto de ancoragem rígido capaz de sustentar as cargas estáticas definidas na Secção 1.

**3.3 LIGAÇÃO DE SUPORTE CORPORAL:** O cabo de restrição/posicionamento de trabalho tem de ser utilizado com um arnês de corpo inteiro ou um cinto de segurança. Para aplicações de restrição, ligue o cabo de segurança ao elemento de fixação correto (anel de ancoragem) no arnês ou no cinto. Consulte as instruções incluídas com o seu arnês ou cinto para ver outras aplicações de proteção antiqueda e ligações recomendadas.

**3.4 LIGUE AO CABO DE SEGURANÇA DE POSICIONAMENTO DE TRABALHO:** Ao ligar, certifique-se de que não podem ocorrer deslizamentos. (Consulte a Secção 2.5 "Ligações") Podem ocorrer deslizamentos quando a interferência entre o gancho e o respetivo conetor faz com que a lingueta do gancho se abra e se solte involuntariamente.

**PASSO 1:** Ligue o conetor de suporte da corda (consulte a Figura 1) ao anel de ancoragem esquerdo ou direito localizado no cinto de segurança arnês de corpo inteiro do operador.

**PASSO 2:** Coloque o cabo de segurança à volta de uma ancoragem segura que seja capaz de sustentar cargas de 12 kN (2 698 lb) ou superiores. Verifique se o cabo de tração está bem fixo de forma que não deslize ou passe pelo ponto de ancoragem.

**PASSO 3:** Ligue o conetor de corpo do cabo de segurança (consulte a Figura 1) ao anel de ancoragem do lado oposto. Quando estiver ligado, o gancho de engate rápido ou trinco do mosquetão tem de estar voltado para fora e afastado do utilizador.

**PASSO 4:** Para encurtar a corda, puxe a cauda diretamente na direção do ponto de ancoragem. (Figura 6)

**PASSO 5:** Permite que a corda passe pelo regulador enquanto se inclina para trás. Solte o regulador quando estiver na posição pretendida. (Figura 7)

**PASSO 6:** Confirme a ancoragem segura, ligações corretas e ajuste da corda:

- Resistência adequada da ancoragem.
- Gancho de engate rápido e mosquetão corretamente ligados ao arnês de corpo inteiro ou cinto de segurança.
- O cabo de segurança não pode deslizar para baixo ou depois do ponto de ancoragem.
- O cabo de segurança está devidamente esticado.

Não utilize ganchos de engate rápido nem mosquetões para voltar a amarrar à corda. Os dois conetores devem ser ligados aos anéis de ancoragem do lado correto. Nunca use o cabo de segurança de posicionamento de trabalho apenas com um conetor ligado ao arnês de corpo inteiro.

### 4.0 FUNCIONAMENTO

As pessoas que utilizam pela primeira vez ou com pouca frequência os cabos de segurança de absorção de energia (cabos de segurança) devem rever as "Informações de Segurança" no início deste manual antes de utilizarem o cabo de segurança.

**4.1 INSPEÇÃO DO TRABALHADOR:** Antes de cada utilização, inspecione o cabo de segurança de absorção de energia de acordo com a lista de verificação de inspeção no *Registo de inspeções e manutenções (Tabela 2)*. Se a inspeção revelar uma condição insegura ou indicar que o cabo de segurança foi sujeito a qualquer dano ou forças de queda, o mesmo tem de ser retirado de serviço e destruído.

**4.2 FUNCIONAMENTO:** Ligue sempre a extremidade de suporte corporal do cabo de segurança ao arnês de corpo inteiro ou ao cinto de segurança primeiro e, em seguida, ligue a extremidade da perna a uma ancoragem adequada.

Minimize sempre a quantidade de folga no cabo de segurança junto a um perigo de queda, trabalhando o mais perto possível da ancoragem. Consulte a Secção 3 para mais informações relativas à ligação do suporte corporal e da ancoragem. Verifique regularmente os elementos de fixação e / ou ajuste durante o uso.

- 4.3 APÓS UMA QUEDA:** Qualquer cabo de segurança que tenha sido sujeito a forças de paragem de uma queda ou apresentar danos consistentes com o efeito de forças de detenção de queda conforme é descrito no *Registo de inspeções e manutenções (Tabela 2)* tem de ser retirado de imediato de serviço e destruído.

## 5.0 INSPEÇÃO

- 5.1 FREQUÊNCIA DE INSPEÇÃO:** O cabo de segurança de absorção de energia tem de ser inspecionado nos intervalos definidos na Secção 2. Os procedimentos de inspeção são descritos em "*Registo de inspeção e manutenção*" (Tabela 2).

*Condições de trabalho extremas (ambientes difíceis, utilização prolongada, etc.) podem exigir um aumento da frequência das inspeções.*

- 5.2 CONDIÇÕES PERIGOSAS OU DEFEITUOSAS:** Se a inspeção revelar uma condição insegura ou defeituosa, remova imediatamente o cabo de segurança de serviço e destrua-o para impedir uma utilização inadvertida. Os cabos de segurança não têm reparação.

- 5.3 VIDA DO PRODUTO:** A vida funcional dos cabos 3M de segurança de absorção de energia é determinada pelas condições de trabalho e manutenção. O tempo de vida útil pode variar entre 1 ano, para utilização intensiva em condições extremas, a 10 anos, em caso de utilização ligeira em condições amenas. Enquanto o produto passar os critérios de inspeção, poderá continuar a ser utilizado até um período máximo de 10 anos.

## 6.0 MANUTENÇÃO, ASSISTÊNCIA E ARMAZENAMENTO

*Não limpe e desinfete os cabos de segurança usando qualquer método que não o descrito nas seguintes "Instruções de Limpeza". Os outros métodos podem ter efeitos adversos nos cabos de segurança ou no utilizador.*

- 6.1 LIMPEZA:** Os procedimentos de limpeza do cabo de segurança de absorção de energia são os seguintes.

- Limpe periodicamente o exterior do cabo de segurança com água e uma solução de sabão suave. A temperatura da água não pode exceder 40 °C (104 °F). Posicione o cabo de segurança de tal forma que o excesso de água possa ser drenado. Não limpe a seco. Não passe a ferro. Limpe as etiquetas, conforme necessário.
- Passe por água e deixe secar completamente ao ar. Não aplique calor para acelerar a secagem.

*Utilize um detergente sem lixívia ao limpar os cabos de segurança. NÃO UTILIZE amaciador ou toalhas para máquinas de secar quando lavar e secar os cabos de segurança*

- 6.2 ASSISTÊNCIA:** Os cabos de segurança não têm reparação. Se o cabo de segurança tiver sido sujeito a qualquer danos ou força de queda ou a inspeção revelar condições perigosas ou defeituosas, coloque o cabo de segurança fora de serviço e elimine-o.

- 6.3 TRANSPORTE/ARMAZENAMENTO:** Transporte e armazene os cabos de segurança num ambiente seco, fresco e limpo, longe da incidência direta da luz solar. Evite áreas onde possam existir vapores químicos. Inspeccione minuciosamente o cabo de segurança após qualquer armazenamento prolongado.

## 7.0 ETIQUETAS

A Figura 8 ilustra as etiquetas nos cabos de segurança de absorção de energia e as respetivas localizações. Todas as etiquetas têm que estar presentes no cabo de segurança - consulte a Figura 1. As informações em cada etiqueta são as seguintes:

Consulte a figura 8:	Descrição:
①	Número do modelo
②	Número de série
③	Número de lote
④	Endereço do fabricante
⑤	Ver instruções
⑥	Norma europeia
⑦	Marca CE
⑧	Número de organismo notificado que realiza a homologação
⑨	comprimento
⑩	Mês de fabrico
⑪	Ano de fabrico
⑫	Endereço da Web do fabricante
⑬	Diâmetro da corda
⑭	Capacidade



## INFORMAȚII PRIVIND SIGURANȚA

**Înainte de a utiliza această frânghie pentru sistemul de reținere pentru poziționarea în timpul lucrului/deplasare, vă rugăm să citiți, să vă asigurați că ați înțeles și să aplicați toate informațiile privind siguranța care sunt incluse în aceste instrucțiuni. ÎN CAZ CONTRAR, SE POT PRODUCE ACCIDENTĂRI GRAVE SAU CHIAR DECESUL.**

**Utilizatorul acestui echipament trebuie să primească aceste instrucțiuni. Păstrați aceste instrucțiuni pentru a le consulta ulterior.**

### Domeniu de utilizare:

Frânghia pentru sistemul de reținere pentru poziționarea în timpul lucrului/deplasare este destinată a fi utilizată ca parte a unui sistem complet de protecție individuală împotriva căderii. Frânghiile pentru sistemul de reținere pentru poziționarea în timpul lucrului/deplasare sunt utilizate pentru a împiedica utilizatorul să ajungă sau să fie expus la un pericol de cădere.

Utilizarea în orice alt scop, inclusiv, dar fără limitare la manevrarea materialelor, activități recreative sau sportive sau pentru orice alte activități care nu sunt descrise în Instrucțiunile de utilizare, nu este aprobată de 3M și poate avea genera accidentări grave sau decesul.

Acest dispozitiv trebuie folosit numai de către utilizatorii instruiți pentru activitățile desfășurate la locul lor de muncă.

## AVERTIZARE

Frânghia pentru sistemul de reținere pentru poziționarea în timpul lucrului/deplasare face parte dintr-un sistem de protecție individuală împotriva căderii. Este necesar ca toți utilizatorii să fie instruiți temeinic în privința instalării și a utilizării în condiții de siguranță a sistemului lor de protecție individuală împotriva căderii. **Utilizarea inadecvată a acestui dispozitiv ar putea genera accidentări grave sau chiar decesul.** Pentru selectarea, utilizarea, instalarea, întreținerea și repararea adecvată a produsului, vă rugăm să consultați aceste Instrucțiuni de utilizare, precum și toate recomandările producătorului, să consultați un supervisor sau să contactați Serviciul tehnic 3M.

- **Pentru a reduce riscurile asociate lucrului cu o frânghie pentru sistemul de reținere pentru poziționarea în timpul lucrului/deplasare care, dacă nu sunt evitate, ar putea genera accidentări grave sau decesul:**
  - Utilizați acest dispozitiv doar pentru poziționarea în timpul lucrului sau în aplicații pentru reținere în timpul deplasării. Frânghiile de poziționare în timpul lucrului trebuie configurate pentru a limita distanța de cădere liberă la două picioare sau mai puțin și pentru a reduce la minimum căderea cu balans. Frânghiile pentru sistemul de reținere pentru deplasare trebuie să împiedice utilizatorul să ajungă sau să fie expus la un pericol de cădere.
  - Nu utilizați niciodată o coardă (respectiv, o coardă fără absorbant de șoc), ca dispozitiv principal pentru oprirea căderii.
  - Inspectați dispozitivul înainte de fiecare utilizare, cel puțin o dată pe an și după fiecare cădere. Inspectați în conformitate cu Instrucțiunile de utilizare.
  - Dacă inspecția identifică o problemă de siguranță sau o defecțiune, scoateți dispozitivul din uz și distrugeți-l.
  - Orice dispozitiv care a fost supus forței de oprire a căderii sau de impact trebuie scos imediat din uz. Consultați Instrucțiunile de utilizare sau contactați 3M Fall Protection.
  - Asigurați-vă că niciunul dintre subsisteme (ex. corzile) nu prezintă riscuri, incluzând, fără însă a se limita la: încurcarea cu alți lucrători, cu dvs., cu utilaje în mișcare sau cu alte obiecte din jur.
  - Atunci când există posibilitatea ca frânghia să intre în contact cu muchii sau colțuri ascuțite, asigurați protejarea adecvată a muchiilor, respectiv a colțurilor.
  - Asigurați-vă că dispozitivul este montat corespunzător pentru utilizarea avută în vedere.
  - Prindeți brațul (brațele) neutilizat(e) a/ale corzii de elementele de prindere pentru poziționare de pe centura complexă de siguranță, dacă este prevăzută astfel.
  - Nu legați sau înnoțați coarda.
  - Nu depășiți numărul de utilizatori permiși.
  - Asigurați-vă că sistemele/subsistemele de protecție împotriva căderii care sunt asamblate din componente provenind de la diverși producători sunt compatibile și îndeplinesc cerințele standardelor aplicabile, inclusiv ANSI Z359 sau alte coduri, standarde sau cerințe aplicabile privind protecția împotriva căderii. Consultați-vă întotdeauna cu o persoană competentă sau calificată înainte de a folosi aceste sisteme.
- **Pentru a reduce riscurile asociate lucrului la înălțime care, dacă nu sunt evitate, ar putea genera accidentări grave sau decesul:**
  - Asigurați-vă că starea dvs. de sănătate și condiția dvs. fizică vă permit să rezistați în condiții de siguranță la toate forțele asociate lucrului la înălțime. Consultați medicul dacă aveți întrebări despre capacitatea dvs. de a folosi acest echipament.
  - Nu depășiți niciodată capacitatea permisă a echipamentului dvs. de protecție împotriva căderii.
  - Nu depășiți niciodată distanța maximă de cădere liberă a echipamentului dvs. de protecție împotriva căderii.
  - Nu folosiți echipamente de protecție împotriva căderii care nu au trecut cu succes inspecția anterioară utilizării sau alte inspecții programate sau dacă aveți suspiciuni privind utilizarea sau adecvarea echipamentului pentru activitatea dvs. Pentru orice întrebări, adresați-vă Serviciului tehnic 3M.
  - Unele combinații de subsisteme și componente pot interfera cu funcționarea acestui echipament. Folosiți numai elemente de conectare compatibile. Consultați-vă cu specialiștii 3M înainte de a folosi acest echipament în combinație cu alte componente sau subsisteme decât cele descrise în Instrucțiunile de utilizare.
  - Aplicați măsuri de precauție suplimentare atunci când lucrați în preajma mașinilor aflate în mișcare (de ex. mecanismul superior de acționare a sondelor de petrol), în condiții de pericol electric sau chimic, la temperaturi extreme, în apropiere de gaze explozive sau toxice, lângă muchii ascuțite sau sub materiale suspendate care ar putea cădea pe dvs. sau pe echipamentul dvs. de protecție împotriva căderii.
  - Folosiți dispozitive cu arc electric sau dispozitive pentru lucrul la cald atunci când lucrați în medii cu temperaturi foarte ridicate.
  - Evitați suprafețele și obiectele care pot vătăma utilizatorul sau avaria echipamentul.
  - Atunci când lucrați la înălțime, asigurați-vă că există un interval adecvat de siguranță la cădere.
  - Nu modificați și nu transformați niciodată echipamentul dvs. de protecție împotriva căderii. Doar 3M sau persoanele autorizate în scris de 3M pot efectua reparații la acest echipament.
  - Înainte de utilizarea unui echipament de protecție împotriva căderii, asigurați-vă că s-a instituit un plan de salvare, care permite salvarea promptă în cazul în care are loc o cădere.
  - Dacă are loc un incident de cădere, apelați imediat la serviciile de asistență medicală pentru persoana care a căzut.
  - Nu folosiți o centură de corp pentru activitățile care cer oprirea căderii. Folosiți numai o centură complexă de siguranță pentru întregul corp.
  - Reduceți riscul de cădere cu balans lucrând cât mai direct posibil sub punctul de ancorare.
  - Dacă exersați utilizarea acestui dispozitiv, trebuie să utilizați un sistem secundar de protecție împotriva căderii, într-un mod care să nu expună persoana care exersează la un pericol de cădere neintenționat.
  - Purtați întotdeauna echipamentele adecvate de protecție individuală atunci când instalați, utilizați sau inspectați dispozitivul/sistemul.

Înainte de utilizarea acestui echipament, înregistrați informațiile de identificare (consultați Figura 8) a produsului în Tabelul 2 din „Jurnalul de inspecție și întreținere” de la finalul acestui manual.

Asigurați-vă întotdeauna că utilizați cea mai recentă versiune revizuită a manualului de instrucțiuni 3M. Pentru manuale de instrucțiuni actualizate, accesați site-ul 3M sau contactați serviciile tehnice 3M.

## DESCRIERE

3M™ Protecta® TRIGGER™ Coarda reglabilă este destinată utilizării în cadrul unui sistem individual de poziționare în timpul lucrului. Sistemele de poziționare în timpul lucrului includ de regulă o centură complexă de siguranță pentru întregul corp sau o centură de corp, o frânghie de poziționare și un sistem individual de oprire a căderii de rezervă. Sistemul de reglare are opțiunea de reglare cu ușurință a lungimii corzii în timpul utilizării. Acest echipament nu este adecvat pentru toate scopurile de oprire a căderii, fiind necesară suplimentarea aranjamentelor pentru poziționarea în timpul lucrului cu mijloace colective (de exemplu, plase de siguranță) sau mijloace individuale (de exemplu, sisteme de oprire a căderii) de protecție împotriva căderilor de la înălțime.

Figura 1 identifică frânghia de poziționare în timpul lucrului reglabilă la care se referă aceste instrucțiuni. Sunt disponibile diverse modele cu diferite combinații ale următoarelor caracteristici:

**Tabelul 1 Specificații**

<b>SPECIFICAȚII COMPONENTĂ</b>		
<b>Figura 1 Referință:</b>		<b>Descriere:</b>
<b>Conector pentru corp</b>	①	Dispozitiv de reglare a corzii TRIGGER™
	②	AJ514/0
	③	AJ572/0
	④	AJ501/0
<b>Conector de susținere frânghie</b>	⑤	AJ523/0
	⑥	20LF
	⑦	AJ565/0
	⑧	AJ595/0
<b>Frânghii</b>	⑨	Frânghie statică - 10,5 mm (0,41 in.)
<b>Caracteristică suplimentară</b>	⑩	Manșon de acoperire a frânghiei cu protecție rezistentă la abraziune
<b>Capăt de frânghie</b>	⑪	Nod simplu la capătul frânghiei
<b>Etichete</b>	⑫	Etichete

## **SPECIFICAȚIILE SISTEMULUI**

<b>Performanță:</b>	
LY	Lungime coardă (a se vedea Figura 1).
Capacitate:	1 persoană cu o greutate combinată (îmbrăcăminte, unelte etc.) de cel mult: 140 kg (309 lbs)
Temperatură de lucru:	Minim: -35 °C (-31 °F) Maxim: +57 °C (135 °F)

<b>Materiale:</b>	
Componenta dispozitivului pentru corp:	Oțel inoxidabil, aliaj de oțel, aliaj de aluminiu și cauciuc - 22 kN (4.946 lbf) Rezistență la tracțiune
Carabinieră:	Aliaj de oțel, Aluminiu - 22 kN (4 946 lbf) Minim Rezistență la tracțiune
Cârlige:	Oțel, oțel inoxidabil și placate cu zinc sau crom - 22 kN (4.946 lbf) Rezistență la tracțiune
Frânghie:	Nailon - 22 kN (4 946 lbf) Rezistență la tracțiune
Coperta pentru coarda:	Poliester, Nailon

## 1.0 APLICAȚII

**1.1 SCOP:** Corzile sunt componente ale unui sistem individual de oprire a căderii (consultați Figura 2). Pot disipa energia de cădere, limita forțele de cădere transferate corpului sau pot fi utilizate pentru poziționare sau reținere în timpul lucrului, în funcție de tipul lor. Figura 1 identifică modelele de corzi prezentate în acest manual de instrucțiuni. Ele pot fi folosite în majoritatea situațiilor care necesită o combinație între mobilitatea muncitorului și protecția anticădere (spre ex. lucrări de inspecție, construcții generale, lucrări de întreținere, producția de petrol, lucrul în spații închise etc.)

**1.2 STANDARDE:** Coarda dvs. respectă standardele naționale și regionale identificate pe coperta față a acestor instrucțiuni. Pentru informații suplimentare privind sistemele de protecție individuală împotriva căderii, consultați reglementările locale privind securitatea în muncă. Dacă acest produs este revândut în exteriorul țării originale de destinație, distribuitorul trebuie să pună la dispoziție aceste instrucțiuni în limba țării în care se va folosi produsul.

**1.3 FORMARE:** Acest echipament poate fi utilizat de persoane instruite în ceea ce privește aplicarea și utilizarea corecte. Responsabilitatea de a se asigura că este familiar cu aceste instrucțiuni și că este instruit cu privire la îngrijirea și utilizarea corespunzătoare a acestui echipament îi revine utilizatorului. Utilizatorii trebuie să cunoască caracteristicile de funcționare, limitele de aplicare și consecințele utilizării incorecte a acestui echipament.

**1.4 CERINȚE:** Luați întotdeauna în considerare următoarele limite atunci când instalați sau utilizați acest echipament:

- **Capacitate:** Corzile sunt destinate utilizării de către o persoană cu o greutate combinată (îmbrăcăminte, unelte etc.) care respectă intervalul de greutate specificat în Tabelul 1 pentru modelul de coardă respectiv. Asigurați-vă că toate componentele sistemului au o capacitate nominală corespunzătoare aplicației necesare.
- **Ancorare:** Punctele de ancorare pentru sistemele de oprire a căderii trebuie să poată susține sarcinile statice aplicate în direcțiile permise de întregul sistem, de cel puțin:
  - A. 12 kN (2 698 lb) pentru punctele de ancorare metalice sau 18 kN (4 047 lb) pentru punctele de ancorare textile, pentru punctele de ancorare necertificate, sau
  - B. De două ori forța maximă de oprire pentru punctele de ancorare certificate.

Dacă tipul de ancorare permite, atunci când la un punct de ancorare se atașează mai mult de un sistem de oprire a căderii, valorile specificate mai sus la punctul (1) și (2) trebuie înmulțite cu numărul de sisteme atașate la punctul de ancorare.

- **Căderi cu balans:** Căderile cu balans au loc atunci când punctul de ancorare nu este direct deasupra punctului în care are loc o cădere. Forța de lovire a unui obiect într-o cădere cu balans poate provoca vătămări grave sau decesul (consultați Figura 3). Reduceți riscul de cădere cu balans lucrând cât mai direct posibil sub punctul de ancorare. Poziționați întotdeauna și / sau reglați șnurul astfel încât punctul de ancorare să fie menținut la nivelul taliei sau mai sus; șnurul este ținut întins; și, libera circulație este limitată la maximum 0,6 m (1,97 ft).
- **Pericole:** Utilizarea acestui echipament în zone periculoase poate necesita măsuri de precauție suplimentare pentru a reduce riscul de accidentare a utilizatorului sau de deteriorare a echipamentului. Pericolele pot include, fără a se limita la: temperaturi ridicate, substanțe chimice caustice, medii corozive, cabluri electrice de înaltă tensiune, gaze explozive sau toxice, utilaje mobile sau materiale suspendate care pot să cadă sau să atingă utilizatorul sau sistemul de oprire a căderii. Evitați lucrul în condițiile în care coarda s-ar putea intersecta sau încurca cu cea a unui alt muncitor. Evitați lucrul în situația în care un obiect ar putea cădea sau lovi coarda, riscând pierderea echilibrului sau deteriorarea corzii. Nu permiteți trecerea corzii pe sub brațe sau între picioare în timpul utilizării.

## 2.0 UTILIZARE

**2.1 PROTECȚIE ANTICĂDERE ȘI PLAN DE SALVARE:** Angajatorul trebuie să aibă stabilite norme de protecție anticădere și un plan de salvare. Planul trebuie să includă instrucțiuni și cerințe pentru un program de protecție anticădere gestionat de angajator, inclusiv politici, obligații și formare; proceduri anticădere; eliminarea și controlul pericolelor de cădere; proceduri de salvare; investigarea incidentelor; și evaluarea eficienței programului.

**2.2 FRECVENȚA DE INSPECTARE:** Corzile trebuie inspectate de muncitor<sup>1</sup> înainte fiecărei utilizări. De asemenea, se vor realiza și inspecții de către o persoană competentă<sup>2</sup>, alta decât utilizatorul. Condițiile dificile de lucru (mediu dur de lucru, utilizare îndelungată etc.) pot impune sporirea frecvenței inspecțiilor realizate. Persoana competentă va stabili intervalele de inspecție adecvate. Procedurile de inspecție sunt descrise în *Jurnalul de inspecție și întreținere (Tabelul 2)*. Rezultatele inspecției realizate de persoana competentă trebuie înregistrate în *Jurnalul de inspecții și întreținere* sau urmărite cu ajutorul sistemului de identificare prin frecvență radio.

**2.3 COMPATIBILITATEA COMPONENTELOR:** Dacă nu se specifică altfel, echipamentul 3M este conceput pentru a fi utilizat exclusiv împreună cu componentele și subsistemele 3M aprobate. Substituirile sau înlocuirile realizate cu componente sau subsisteme neaprobate pot afecta compatibilitatea echipamentului și siguranța și fiabilitatea întregului sistem.

**2.4 COMPATIBILITATEA ELEMENTELOR DE PRINDERE:** Conectorii sunt considerați compatibili cu elementele de conectare atunci când aceștia au fost concepuți să funcționeze împreună astfel încât dimensiunile și formele lor să nu determine deschiderea accidentală a mecanismelor de închidere ale acestora, indiferent de modul în care vor ajunge să fie orientate. Contactați 3M dacă aveți întrebări cu privire la compatibilitate. Conectorii (cârligele, carabinierile și inelele-D) trebuie să poată susține cel puțin 22 kN (5.000 lbs). Conectorii trebuie să fie compatibili cu elementul de ancorare sau cu alte componente ale sistemului. Nu utilizați echipamente care nu sunt compatibile. Conectorii incompatibili se pot desprinde în mod accidental (consultați Figura 4). Conectorii trebuie să fie compatibili ca dimensiune, formă și rezistență. Sunt necesare inele de siguranță și carabiniere autoblocante. Dacă elementul de conectare de care este prins un inel de siguranță sau o carabinieră este subdimensionat sau cu formă neregulată, poate apărea o situație în care elementul de conectare aplică o forță asupra închizătorii inelului de siguranță sau a carabinierii (A). Această forță poate determina deschiderea închizătorii (B), permițând inelului de siguranță cu cârlig sau carabinierii să se desprindă din punctul de conectare (C).

**1 Muncitor:** Orice persoană care este protejată de cădere de către un sistem activ de oprire a căderii; orice persoană care ar putea cădea atunci când este conectată la sistem.

**2 Persoană competentă:** O persoană desemnată de angajator să fie responsabilă de supravegherea imediată, implementarea și monitorizarea programului de protecție anticădere gestionat de angajator care, prin formare și acumularea de cunoștințe, este capabilă să identifice, să evalueze și să soluționeze pericolele de cădere existente și potențiale și care este autorizată de angajator să ia măsuri corective imediate în privința pericolelor respective.



**2.5 EFECTUAREA CONEXIUNILOR:** Inelele de siguranță cu cârlig și carabinierile utilizate cu acest echipament trebuie să fie autoblocante. Asigurați-vă că toate elementele de conectare sunt compatibile ca dimensiune, formă și rezistență. Nu utilizați echipamente care nu sunt compatibile. Asigurați-vă că toți conectorii sunt complet închiși și blocați. Conectorii 3M (inelele de siguranță cu cârlig și carabinierile) sunt concepuți pentru a fi utilizați numai în conformitate cu instrucțiunile de utilizare specificate pentru fiecare produs. Consultați Figura 5 pentru exemple de conectori neadecvați. Nu conectați inele de siguranță cu cârlig și carabiniere:

- A. La un inel-D la care este conectat un alt conector.
- B. Într-un mod care ar putea duce la exercitarea unei sarcini pe dispozitivul de închidere. Inelele de siguranță cu cârlig cu gât larg nu vor fi conectate la inele-D de dimensiune standard sau la obiecte similare care ar determina o sarcină pe închizător în cazul rotirii cârligului sau a inelului-D; cu excepția cazului în care inelul de siguranță cu cârlig este dotat cu un închizător de 16 kN (3.600 lb).
- C. Într-o cuplare falsă în care dimensiunile sau forma conectorilor corespunzători nu sunt compatibile și, fără confirmare vizuală, conectorii par perfect cuplați.
- D. Una de cealaltă.
- E. Direct de sistemul de chingi sau de coarda din frânghie sau de tirant (cu excepția cazului în care instrucțiunile producătorului atât pentru coardă, cât și pentru conector permit în mod specific o astfel de conectare).
- F. De orice obiect care are o formă sau o dimensiune de așa natură încât inelul de siguranță cu cârlig sau carabiniera să nu se închidă și să se blocheze sau să existe posibilitatea de desfacere.
- G. Într-o modalitate care nu permite conectorului să se alinieze în mod corespunzător în timp ce este sub sarcină.

### 3.0 INSTALARE ȘI REGLARE

- 3.1 PLANIFICARE:** Planificați-vă sistemul de protecție anticădere înainte de a demara activitatea. Luați în considerare toți factorii care vă pot afecta siguranța înainte, în timpul și după o cădere. Țineți cont de toate cerințele și limitările stabilite în secțiunea 1.
- 3.2 ANCORARE:** Selectați un loc de ancorare cu pericole minime de cădere liberă și cădere cu balans (consultați secțiunea 1). Selectați un punct de ancorare rigid care să poată susține sarcinile statice stabilite în secțiunea 1.
- 3.3 LEGĂTURĂ PENTRU SUSȚINEREA CORPULUI:** Corzile de reținere/frânghiile de poziționare în timpul lucrului vor fi folosite împreună cu o centură complexă de siguranță completă sau cu o centură de corp. Pentru utilizări în vederea reținerii, legați coarda la elementul de fixare corespunzător (Inel-D) de pe centura complexă de siguranță sau de pe centură. Consultați instrucțiunile care însoțesc centura complexă de siguranță sau centura pentru alte utilizări împotriva căderii și legăturile recomandate.
- 3.4 CONECTAȚI-VĂ LA FRÂNGHIA DE POZIȚIONARE ÎN TIMPUL LUCRULUI:** La conectare, asigurați-vă că nu se poate desface. (Consultați secțiunea 2.5 „Conexiuni“.) Desfacerea are loc atunci când interferența dintre inelul de siguranță și conectorul de îmbinare determină deschiderea și eliberarea neintenționată a dispozitivului de închidere a inelului de siguranță.

**PASUL 1:** Conectați conectorul de susținere a frânghiei (consultați Figura 1) la inelul-D de pe partea stângă sau dreaptă care se află pe centura de corp a operatorului sau pe centura complexă de siguranță pentru tot corpul.

**PASUL 2:** Poziționați coarda în jurul unui punct de ancorare sigur care poate susține sarcini de 12 kN (2 698 lb) sau mai mari. Verificați să fie securizată coarda în așa fel încât să nu poată aluneca de pe sau dincolo de punctul de ancorare.

**PASUL 3:** Conectați conectorul pentru corp al corzii (consultați Figura 1) de inelul-D de pe partea opusă. După conectare, inelul de siguranță sau clapeta carabinierii trebuie să fie orientat(ă) spre exterior și în direcție opusă față de utilizator.

**PASUL 4:** Pentru a scurta frânghia, trageți de capăt direct înspre punctul de ancorare. (Figura 6)

**PASUL 5:** Permiteți frânghiei să treacă prin dispozitivul de reglare, în timp ce vă lăsați pe spate. Eliberați dispozitivul de reglare când este în poziția dorită. (Figura 7)

**PASUL 6:** Confirmați ancorarea în siguranță, conexiunile corespunzătoare și dispozitivul de reglare a corzii:

- Putere de ancorare adecvată.
- Inel de siguranță și carabinieră conectate corespunzător de centura complexă de siguranță pentru întregul corp sau de centura de corp.
- Coarda nu poate aluneca de pe sau dincolo de punctul de ancorare.
- Coarda este tensionată corect.

Nu utilizați inelul de siguranță sau carabiniera pentru a lega înapoi frânghia. Ambii conectori trebuie conectați la inelele-D laterale corespunzătoare. Nu utilizați niciodată frânghia de poziționare în timpul lucrului reglabilă cu un singur conector prins de centura complexă de siguranță pentru întregul corp.

### 4.0 UTILIZARE

Utilizatorii începători sau utilizatorii rari ai corzilor trebuie să verifice „Informațiile de siguranță” de la începutul acestui manual înainte de utilizarea corzii.

- 4.1 INSPECȚIA REALIZATĂ DE LUCRĂTORI:** Înainte de fiecare utilizare, inspectați corzile conform listei de verificare din *Jurnalul de inspecție și întreținere (Tabelul 2)*. Dacă inspecția relevă o condiție nesigură sau indică faptul că sistemul de corzi a fost supus unor forțe de avarie sau de cădere, coarda trebuie scoasă din uz și distrusă.
- 4.2 UTILIZARE:** Figura 6 prezintă racordurile de sistem pentru utilizările tipice de reținere/ poziționare în timpul lucrului. Întotdeauna conectați mai întâi capătul pentru susținerea corpului de la coardă la centura complexă de siguranță

pentru întreg corpul sau la centura de corp și apoi conectați capătul bretelei la un sistem de ancorare adecvat. Reduceți întotdeauna partea slăbită a corzii, în apropierea unui pericol de cădere, lucrând cât mai aproape posibil de ancorare. Consultați secțiunea 3 care cuprinde detalii privind susținerea corpului și legătura de ancorare. Verificați periodic fixarea și / sau reglarea elementelor în timpul utilizării.

**4.3 DUPĂ O CĂDERE:** Orice coardă care a fost supusă forțelor de oprire a căderii sau prezintă deteriorări corelate cu efectele forțelor de oprire a căderii descrise în *Jurnalul de instalare și întreținere (Tabelul 2)* trebuie scoasă din uz imediat și distrusă.

## 5.0 INSPECȚIE

**5.1 FRECVENȚA DE INSPECTARE:** Coarda va fi inspectată la intervalele stabilite în secțiunea 2. Procedurile de inspecție sunt descrise în „*Jurnalul de inspecție și întreținere*” (Tabelul 2).

*Condițiile dificile de lucru (mediu dur de lucru, utilizare îndelungată etc.) pot impune sporirea frecvenței verificărilor.*

**5.2 SIGURANȚĂ DEFICITARĂ SAU DEFECTIUNI:** Dacă inspecția identifică o stare de nesiguranță sau o defecțiune, scoateți imediat coarda din uz și distrugeți-o pentru a preveni utilizarea accidentală. Corzile nu pot fi reparate.

**5.3 DURATA DE UTILIZARE A PRODUSULUI:** Durata de funcționare a corzilor 3M este determinată de condițiile de lucru și de întreținere. Perioada de funcționare maximă poate varia între 1 an pentru utilizare intensivă în condiții extreme și 10 ani pentru utilizare ușoară în condiții puțin solicitante. Câtă vreme produsul respectă criteriile de inspecție, acesta poate rămâne în uz până la maximum 10 ani.

## 6.0 ÎNTREȚINERE, SERVICE ȘI DEPOZITARE

*Nu curățați și nu dezinfecțați corzile prin nicio altă metodă în afară de cea descrisă în secțiunea „Instrucțiuni de curățare”. Alte metode pot avea efecte negative asupra corzii sau asupra utilizatorului.*

**6.1 CURĂȚARE:** Procedurile de curățare pentru coarda sunt următoarele:

- Curățați periodic exteriorul corzii cu soluție din apă și săpun delicat. Temperatura apei nu trebuie să depășească 40 °C. Poziționați coarda astfel încât apa în exces să se scurgă. Nu folosiți curățarea chimică. A nu se călca. Curățați etichetele conform cerințelor.
- Clățiți și uscați bine la aer. Nu forțați uscarea cu căldură.

*Pentru curățarea corzilor, utilizați un detergent fără înălbitor atunci când curățați. NU SE VOR UTILIZA șervețele parfumate sau balsam pentru curățarea și uscarea corzilor*

**6.2 SERVICE:** Corzile nu pot fi reparate. În cazul în care coarda a fost supusă unor forțe de avarie sau de cădere sau dacă inspecția relevă o condiție nesigură sau un defect, scoateți coarda din uz și distrugeți-o.

**6.3 DEPOZITARE/TRANSPORT:** Depozitați și transportați corzile într-un mediu răcoros, uscat și curat, ferit de lumina directă a soarelui. Evitați zonele în care pot exista vapori de substanțe chimice. Inspectați cu atenție corzile după o perioadă prelungită de depozitare.

## 7.0 ETICHETE

Figura 8 ilustrează etichetele de pe corzile și amplasarea acestora. Toate etichetele trebuie să fie prezente pe coardă - consultați Figura 1. Informațiile de pe fiecare etichetă sunt următoarele:

A se vedea Figura 8:	Descriere
①	Număr de model
②	Numărul de serie
③	Numărul lotului
④	Adresa producătorului
⑤	Consultați instrucțiunile
⑥	Standardul european
⑦	Marcajul CE
⑧	Numărul Organismului notificat care a realizat conformitatea de tip.
⑨	Lungime
⑩	Luna de fabricație
⑪	Anul de fabricație
⑫	Adresa web a producătorului
⑬	Diametrul cablului
⑭	Capacitatea



## BEZPEČNOSTNÉ INFORMÁCIE

Pred použitím tohto lana na pracovné polohovanie/zadržiavanie dosahu si prečítajte všetky bezpečnostné informácie zahrnuté v tomto návode, porozumejte im a dodržiavajte ich. V OPAČNOM PRÍPADE BY TO MOHLO SPÔSOBIŤ VÁŽNE ZRANENIE ALEBO SMŤ.

Tieto pokyny musia byť dodané používateľovi tohto zariadenia. Ponechajte si tieto pokyny ako referenciu pre budúcnosť.

### Účel použitia:

Toto lano na pracovné polohovanie/zadržiavanie dosahu je určené na použitie v rámci úplného systému osobnej prevencie proti pádu. Laná na pracovné polohovanie/zadržiavanie dosahu sa používajú na to, aby používateľovi zabránili dosiahnuť alebo sa vystaviť riziku pádu.

Akékoľvek iné využívanie zariadenia vrátane, ale neobmedzujúc, ako manipulácia s materiálom, rekreačné alebo iné so športom súvisiace činnosti, alebo iné činnosti, ktoré nie sú popísané v návode pre používateľa, nie sú schválené spoločnosťou 3M a mohli by spôsobiť vážne zranenie alebo smrť.

Toto zariadenie sa má používať na pracovisku iba zaškolenými používateľmi.



### VAROVANIE

Toto lano na pracovné polohovanie/zadržiavanie dosahu je súčasťou systému osobnej prevencie proti pádu. Očakáva sa, že všetci používatelia budú plne zaškolení na bezpečnú inštaláciu a obsluhu svojho systému osobnej ochrany proti pádu. **Nesprávne použitie tohto zariadenia by mohlo spôsobiť vážne zranenie alebo smrť.** Ohľadom správneho výberu, obsluhy, inštalácie, údržby a servisu si pozrite tento návod pre používateľa a všetky odporúčania výrobcu, navštívte kontrolóra alebo kontaktujte oddelenie technických služieb spoločnosti 3M.

- **Na zníženie rizík spojených s prácou s lanom na pracovné polohovanie/zadržiavanie dosahu, ktoré, ak sa im nezabráni, by mohli spôsobiť vážne zranenie alebo smrť:**
  - Toto zariadenie používajte len na pracovné polohovanie alebo zadržiavanie dosahu. Laná na pracovné polohovanie musia byť nastavené tak, aby obmedzovali vzdialenosť voľného pádu na dva metre alebo menej a minimalizovali výkyv pri páde. Laná na zadržiavanie dosahu musia používateľovi zabrániť dosiahnuť alebo sa vystaviť riziku pádu.
  - Toto lano (t. j. netlmiace lano) nikdy nepoužívajte ako hlavné zariadenie na ochranu proti pádu.
  - Pred každým použitím zariadenie skontrolujte, minimálne raz ročne a po každom prípade pádu. Skontrolujte ho v súlade s návodom pre používateľa.
  - Ak sa pri kontrole zistí, že stav zariadenia nie je bezpečný alebo je chybný, zariadenie prestaňte používať a zlikvidujte ho.
  - Akékoľvek zariadenie, ktoré bolo použité na zachytenie pádu alebo čelilo sile dopadu, je nutné okamžite prestať používať. Pozrite si návod pre používateľa alebo kontaktujte oddelenie služieb ochrany proti pádu spoločnosti 3M.
  - Skontrolujte, či všetky pripojené podsystémy (napr. laná) sú zabezpečené voči všetkým rizikám, okrem iného aj vrátane zamotania sa s ostatnými pracovníkmi, vášho zamotania sa do lán, zamotania sa do pohybujúcich sa zariadení alebo iných okolitých predmetov.
  - Zabezpečte používanie primeranej ochrany hrán, ak sa záchranné lano môže dostať do styku s ostrými hranami alebo rohmi.
  - Zabezpečte, aby bolo zariadenie správne nastavené na zamýšľané použitie.
  - Pripevnite nepoužitý (-é) popruh (-y) lana do odkladacieho (-ich) nástavca (-ov) postroja, ak sú vo výbave.
  - Lano nezaväzujte ani na ňom nerobte uzly.
  - Neprekračujte stanovený maximálny počet používateľov.
  - Zabezpečte, aby systémy/podsystémy na ochranu proti pádu zostavené zo súčastí vyrobených rôznymi výrobcami boli kompatibilné a spĺňali požiadavky príslušných noriem vrátane normy ANSI Z359 alebo iných príslušných predpisov, noriem alebo požiadaviek na ochranu proti pádu. Pred používaním týchto systémov sa vždy poraďte s kompetentnou alebo kvalifikovanou osobou.
- **Na zníženie rizík spojených s prácou vo výškach, ktoré, ak sa nezabráni, by mohli spôsobiť vážne zranenie alebo smrť:**
  - Zabezpečte, že váš zdravotný a fyzický stav vám umožní bezpečne znášať všetky sily spojené s prácou vo výškach. Poradte sa so svojim lekárom, ak máte akékoľvek otázky ohľadom vašej schopnosti používať toto vybavenie.
  - Nikdy neprekračujte povolenú kapacitu vášho ochranného vybavenia.
  - Nikdy neprekračujte maximálnu voľnú vzdialenosť pádu vášho ochranného vybavenia proti pádu.
  - Nikdy nepoužívajte akékoľvek ochranné vybavenie proti pádu, ktoré nezodpovedá kontrolám pred použitím alebo iným plánovaným kontrolám alebo ak máte obavy ohľadom používania alebo vhodnosti vybavenia pre vašu aplikáciu. S akýmikoľvek otázkami kontaktujte 3M Technické služby.
  - Niektoré kombinácie subsystémov a dielov nemusia ohrozovať funkčnosť tohto zariadenia. Používajte iba kompatibilné spojenia. Pri používaní tohto vybavenia v kombinácii s inými komponentmi alebo subsystémami, ktoré nie sú popísané v tomto návode pre používateľa, sa poraďte so spoločnosťou 3M.
  - Uplatnite ďalšie predbežné opatrenia pri práci v okolí pohybujúcich sa strojov (napr. horného pohonu mazaných lán), elektrických rizík, extrémnych teplôt, chemických rizík, explozívnych alebo toxických plynov, ostrých hrán alebo pod zavesenými predmetmi, ktoré by mohli spadnúť na vás alebo vaše ochranné vybavenie proti pádu.
  - Používajte prostriedky proti elektrickému oblúku (Arc Flash) alebo na "horúce práce" (Hot Works) pri práci v prostredí s vysokými teplotami.
  - Vyhýbajte sa povrchom alebo predmetom, ktoré môžu poškodiť používateľa alebo vybavenie.
  - Pri práci vo výške zabezpečte, že budete mať priestor pre voľný pád.
  - Nikdy neupravujte alebo nepozmeňujte vaše ochranné vybavenie proti pádu. Opravy tohto vybavenia môžu vykonávať iba pracovníci spoločnosti 3M alebo spoločnosťou 3M písomne poverené osoby.
  - Pred použitím ochranného vybavenia proti pádu, zabezpečte, že je na mieste plán záchranu, ktorý umožní okamžitú záchranu pri výskyte incidentu pádu.
  - Ak sa vyskytne incident pádu, okamžite vyhľadajte lekársku pomoc pre pracovníka, ktorý spadol.
  - Telový pás nepoužívajte pri aplikáciách s nebezpečenstvom voľného pádu. Používajte iba úplné telové postroje.
  - Minimalizujte riziko výkyvu pri páde tým, že bude pracovať čo najbližšie pod bodom ukotvenia.
  - Pri zaškolení s týmto zariadením, sekundárny systém ochrany proti pádu musí byť využívaný spôsobom, ktorý nevystaví školeného neúmyselnému riziku pádu.
  - Pri inštalácii, používaní alebo kontrole vybavenia/systému noste vždy náležité osobné ochranné prostriedky.

Pred použitím tohto zariadenia zaznamenajte informácie o identifikácii výrobku (pozrite obrázok 8) v tabuľke 2 časti Záznam o kontrole a údržbe na zadnej strane tohto návodu.

Vždy sa uistite, že používate najnovšiu verziu používateľskej príručky od spoločnosti 3M. Navštívte webovú stránku spoločnosti 3M alebo o aktualizované používateľské príručky požiadajte technický servis spoločnosti 3M.

## OPIS

Nastaviteľný popruh 3M™ Protecta® TRIGGER™ je určený na použitie ako súčasť osobného systému polohovania pri práci. Systémy pracovného polohovania zväčša obsahujú celotelový postroj alebo telový pás, polohovacie lano a záložný osobný systém ochrany pred pádom. Nastavovací systém má možnosť ľahko nastaviť dĺžku popruhu počas používania. Toto zariadenie nie je vhodné na účely zaistenia pádu a je teda potrebné doplniť zariadenia na polohovanie pri práci kolektívnymi prostriedkami (napr. bezpečnostnými sieťami) alebo osobnými prostriedkami (napr. systémami na zachytenie pádu) na ochranu pred pádmi z výšky.

Obrázok 1 znázorňuje nastaviteľný popruh na polohovanie pri práci, ktorého sa týka tento návod. Rôzne modely sú k dispozícii s rozličnými kombináciami týchto vlastností:

**Tabuľka 1 – Špecifikácie**

<b>ŠPECIFIKÁCIE KOMPONENTOV</b>		
Referencia z obrázka 1:		Opis:
<b>Telový konektor</b>	①	Nastavovacie zariadenie lana TRIGGER™
	②	AJ514/0
	③	AJ572/0
	④	AJ501/0
<b>Zaistovacie konektor lana</b>	⑤	AJ523/0
	⑥	20LF
	⑦	AJ565/0
	⑧	AJ595/0
<b>Laná</b>	⑨	Statické lano – 10,5 mm (0,41 in.)
<b>Ďalšie vlastnosti</b>	⑩	Ochranný obal lana odolný voči odretiu
<b>Koniec lana</b>	⑪	Jednoduchý uzol na konci lana
<b>Štítky</b>	⑫	Štítky

## ŠPECIFIKÁCIE SYSTÉMU

### Výkonnosť:

LY	Dĺžka lana (pozrite si obrázok 1).
Kapacita:	1 osoba s kombinovanou hmotnosťou (oblečenie, náradie atď.) najviac: 140 kg (309 libier)
Prevádzková teplota:	Minimálna: -35 °C (-31 °F) Maximálna: +57 °C (135 °F)

### Materiály:

Komponent tela zariadenia:	Nehrdzavejúca oceľ, zliatinová oceľ, hliníková zliatina a guma – pevnosť v ťahu 22 kN (4 946 libier)
Karabíny:	Zliatinová oceľ, Hliník - 22 kN (4 946 lbf) Minimálna Pevnosť v ťahu
Háky:	Oceľ, nehrdzavejúca oceľ a pozinkovanie alebo pochrómovanie – pevnosť v ťahu 22 kN (4 946 libier)
Lanový popruh:	Nylon - 22 kN (4 946 lbf) Pevnosť v ťahu
Krytie lana:	Nylon, Polyester

## 1.0 APLIKÁCIA

- 1.1 ÚČEL:** Laná sú navrhnuté ako komponent osobného systému ochrany proti pádu (pozri obrázok 2). Dokážu stlmiť energiu pádu, obmedziť sily pri páde prenášané na telo alebo byť použité na pracovné polohovanie a obmedzenie v závislosti od ich typu. Na obrázku 1 sú identifikované modely lán, ktorých sa týka tento návod na použitie. Môžu byť použité vo väčšine situáciách, keď sa požaduje kombinácia mobility pracovníkov a ochrany proti pádu (t. j. kontrolné práce, všeobecné stavebné práce, údržbárske práce, ťažba ropy, práce v stiesnených priestoroch a pod.).
- 1.2 ŠTANDARDY:** Vaše lano je v súlade s národnými alebo regionálnymi štandardmi, ktoré sú uvedené na prednom obale týchto pokynov. Dodatočné informácie týkajúce sa osobnej ochrany proti pádu nájdete v miestnych požiadavkách, ktoré riadia bezpečnosť pri práci. Pokiaľ sa tento výrobok predáva mimo pôvodnej cieľovej krajiny, predávajúci musí poskytnúť tieto pokyny v jazyku krajiny, v ktorom sa výrobok bude používať.
- 1.3 ŠKOLENIE:** Toto zariadenie je určené na použitie osobami vyškolenými v jeho správnom použití a využití. Je zodpovednosťou používateľa zabezpečiť, že je oboznámený s týmito pokynmi a je školený v správnej starostlivosti a používaní tohto zariadenia. Používatelia musia byť informovaní o prevádzkových vlastnostiach, aplikačných obmedzeniach a následkoch nesprávneho použitia.
- 1.4 POŽIADAVKY:** Pri inštalácii alebo používaní tohto zariadenia vždy zvažte nasledujúce obmedzenia:
- **Kapacita:** Laná má používať jedna osoba s celkovou hmotnosťou (oblečenie, nástroje atď.). Splňajú rozsah hmotností špecifikovaný v tabuľke 1 pre model lán. Uistite sa, či sú všetky komponenty systému normované na príslušnú nosnosť pre potrebnú aplikáciu.
  - **Ukotvenie:** Ukotvenia vybrané pre systémy ochrany proti pádu musia byť schopné vydržať statické zaťaženie pôsobiace v smerech povolených celým systémom, najmenej:
    - A. 12 kN (2 698 lb) pre kovové kotvy alebo 18 kN (4 047 lb) pre celé kotvy pre necertifikované kotvenia alebo
    - B. dvojnásobok maximálnej sily zadržania pre certifikované kotvenia.Ak je to prípustné na základe typu kotvy, v prípade upevnenia viac ako jedného systému zadržania pádu ku kotviacej úchytky, pevnosti uvedené v bodoch (1) a (2) vyššie sa musia vynásobiť počtom systémov pripevnených k ukotveniu.
  - **Výkyvy pri páde:** K pádom kvôli výkyvu dochádza, ak nie je bod ukotvenia priamo nad miestom, kde dôjde k pádu. Sila nárazu do predmetu pri páde z výkyvu môžu spôsobiť ťažké zranenie (pozri obrázok 3). Minimalizujte riziko výkyvu pri páde tým, že budete pracovať čo najbližšie pod bodom ukotvenia. Vždy umiestnite a / alebo nastavte lano tak, aby sa bod ukotvenia udržiaval na úrovni pásu alebo nad ním; lano je držané napnuté; a voľný pohyb je obmedzený na maximálne 0,6 m (1,97 ft).
  - **Riziká:** Používanie tohto zariadenia v priestoroch s environmentálnymi rizikami si môže vyžadovať ďalšie bezpečnostné opatrenia, aby sa znížilo nebezpečenstvo úrazu alebo poškodenia zariadenia. Riziká môžu okrem iného zahŕňať: vysoké teplo, žieravé chemikálie, korozívne prostredia, vedenia vysokého napätia, výbušné alebo toxické plyny, pohybujúce sa stroje alebo materiály, ktoré môžu spadnúť a zasiahnuť používateľa alebo systém ochrany proti pádu. Vyhýbajte sa práci, kde sa vaše lano môže krížiť alebo preplieť s iným objektom alebo pracovníkom. Vyhýbajte sa práci na miestach, kde môže dôjsť k pádu predmetu, ktorý zasiahne lano, čo bude viesť k riziku straty rovnováhy alebo poškodenia lana. Počas používania nedovoľte, aby lano prechádzalo pod pažou alebo medzi nohami.

## 2.0 POUŽITIE

- 2.1 OCHRANA PRED PÁDOM A ZÁCHRANNÝ PLÁN:** Zamestnanec musí mať ochranu pred pádom a platný záchranný plán. Plán by mal poskytnúť usmernenia a požiadavky týkajúce sa riadeného programu ochrany pred pádom zamestnávateľa vrátane zásad, povinností a odbornej prípravy; postupy na ochranu pred pádom; eliminovanie a kontrola rizika pádov; záchranné postupy; vyšetrovania incidentov a hodnotenie efektívnosti programu.
- 2.2 INTERVAL KONTROLY:** Laná bude kontrolovať pracovník<sup>1</sup> pred každým použitím. Kontroly má ďalej vykonávať kompetentná osoba<sup>2</sup> iná ako používateľ. Extrémne pracovné podmienky (drsne prostredie, dlhodobé používanie atď.) si môžu vyžadovať častejšie kontroly kompetentnou osobou. Kompetentná osoba použije stanovené vhodné intervaly kontroly. Postupy kontrol sú popísané v časti *Záznam o kontrole a údržbe (tabuľka 2)*. Výsledky kontroly kompetentnou osobou sa musia zaznamenať do *záznamu o kontrole a údržbe* alebo zaznamenať pomocou rádiodiagnostického identifikačného systému RFID.
- 2.3 KOMPATIBILITA ČASTÍ ZARIADENIA:** Ak sa výslovne neuvádza iné, 3M zariadenia sú navrhnuté len na použitie s komponentmi a subsystémami schválenými spoločnosťou 3M. Výmeny alebo náhrady vykonané použitím neschválených dielov alebo subsystémov môžu ohroziť kompatibilitu zariadení a môžu znížiť bezpečnosť a spoľahlivosť celého systému.
- 2.4 KOMPATIBILITA KONEKTOROV:** Konektory sa považujú za kompatibilné so spojovacími prvkami, keď boli navrhnuté tak, aby spolupracovali takým spôsobom, že ich rozmery a tvary nespôsobujú neúmyselné otvorenie ich mechanizmov uzáveru bez ohľadu na to, ako sú orientované. Ak máte akékoľvek otázky ohľadom compatibility, obráťte sa na spoločnosť 3M. Konektory (háčiky, karabíny a D-krúžky) musia byť schopné udržať najmenej 22 kN (5 000 libier). Konektory musia byť kompatibilné s ukotvením a s inými komponentmi systému. Nepoužívajte zariadenie, ktoré nie je kompatibilné. Nekompatibilné konektory sa môžu samovoľne odpojiť (pozri obrázok 4). Konektory musia byť kompatibilné veľkosťou, tvarom a pevnosťou. Požadujú sa samozamykacie háky a karabíny. Ak je spojovací prvok, ku ktorému sa pripája hák alebo karabína poddimenzovaný alebo má nepravidelný tvar, môže nastať situácia, pri ktorej spojovací prvok vyvíja silu na uzáver háku alebo karabíny (A). Táto sila môže spôsobiť otvorenie uzáveru (B), čo umožní odpojenie háku alebo karabíny od spojovacieho prvku (C).

**1 Pracovník:** Každá osoba, ktorá je chránená pred pádom systémom aktívnej ochrany pred pádom; alebo v prípade systému zadržania pádu; osoba, ktorá by mohla spadnúť pri pripojení k systému.

**2 Kompetentná osoba:** Jednotlivec určený zamestnávateľom, ktorý je zodpovedný za okamžitý dohľad, implementáciu a monitorovanie programu ochrany proti pádu spravovaného zamestnávateľom a vďaka školeniu a vedomostiam je schopný identifikovať, vyhodnotiť a vyriešiť existujúce alebo potenciálne nebezpečenstvá pádu, a má oprávnenie od zamestnávateľa vykonávať rýchle nápravné opatrenia s ohľadom na tieto nebezpečenstvá.

**2.5 PRIPÁJANIE:** Háky a karabíny používané s týmto zariadením musia byť samozamykacie. Skontrolujte, či sú všetky pripojenia kompatibilné veľkosťou, tvarom a pevnosťou. Nepoužívajte zariadenie, ktoré nie je kompatibilné. Uistite sa, že všetky konektory sú úplne zatvorené a zamknuté. 3M konektory (zaskakovacie háky a karabíny) sú navrhnuté na použitie len podľa špecifikácií, ktoré sú uvedené v návode na používanie každého výrobku. Na obrázku 5 nájdete príklady nesprávneho pripájania. Háky a karabíny nepripájajte:

- A. K D-krúžku, ku ktorému je už pripojený iný konektor.
- B. Spôsobom, ktorý bude mať za následok zaťaženie uzáveru. Zaskakovacie háky s veľkým otvorom by sa nemali pripájať k D-krúžkom štandardnej veľkosti ani k podobným predmetom, čo bude mať za následok zaťaženie otvoru, ak sa hák alebo D-krúžok skrúti alebo otočí, ak nie je zaskakovací hák vybavený otvorom na zaťaženie 16 kN (3 600 libier).
- C. V prípade falošného zapojenia, kde veľkosť alebo tvar párových konektorov nie sú kompatibilné a bez vizuálneho potvrdenia sa konektory zdajú byť plne zapojené.
- D. Jeden k druhému.
- E. Priamo ku tkanine, lanu alebo spätnému previazaniu (pokiaľ pokyny výrobcu pre lano i konektor vyslovene nepovoľujú takýto spôsob spojenia).
- F. K akémukoľvek predmetu, ktorý má tvar alebo rozmery, ktoré neumožňujú zatvorenie a zamknutie háku alebo karabíny, alebo môžu spôsobiť uvoľnenie.
- G. Spôsobom, ktorý neumožňuje správne zarovnanie konektora, keď je pod zaťažením.

### 3.0 INŠTALÁCIA A NASTAVENIE

**3.1 PROJEKTOVANIE:** Svoj systém ochrany proti pádu si naprojektujte pred začatím práce. Zohľadnite všetky faktory, ktoré môžu ovplyvniť vašu bezpečnosť pred pádom, počas pádu i po ňom. Zvážte všetky požiadavky a obmedzenia definované v časti 1.

**3.2 UKOTVENIE:** Zvoľte si miesto ukotvenia s minimálnym nebezpečenstvom voľného pádu a pádu s pohoďávaním (pozrite si časť 1). Vyberte si pevný bod ukotvenia, ktorý vydrží statické zaťaženie definované v časti 1.

**3.3 PRIPOJENIE K PODPORE TELA:** Popruh na predchádzanie pádu/polohovanie pri práci sa musí používať s celotelovým postrojom alebo s telovým pásom. V prípade aplikácií predchádzania pádu pripojte popruh k vhodnému pripájaciemu prvku (D-krúžku) na postroji alebo na opasku. Informácie o iných aplikáciách ochrany pred pádom a o odporúčaných spôsoboch pripojenia nájdete v pokynoch dodaných spolu s postrojom alebo opaskom.

**3.4 PRIPOJENIE K POPRUHU NA POLOHOVANIE PRI PRÁCI:** Pri pripájaní zaistite, aby nemohlo dôjsť k vytiahnutiu. (Pozrite časť 2.5 Pripojenia.) K vytiahnutiu dochádza, keď kolízia medzi hákom a párovacím konektorom spôsobí neúmyselné otvorenie a odpojenie uzáveru háka.

**KROK 1:** Pripojte uzavierací zaistovací konektor lana (pozrite obrázok 1) k D-krúžku na ľavej alebo pravej strane umiestnenému na telovom páse alebo celotelovom postroji operátora.

**KROK 2:** Otočte popruh okolo bezpečného ukotvenia, ktoré je schopné uniesť zaťaženie najmenej 12 kN (2 698 lb). Overte si, či je popruh pripevnený tak, aby sa nemohol sklznúť ani sa posunúť za kotviaci bod.

**KROK 3:** Pripojte telový konektor popruhu (pozrite obrázok 1) k D-krúžku na opačnej strane. Pri pripojení musí upínací hák alebo karabínka smerovať von a od používateľa.

**KROK 4:** Ak chcete lano skrátiť, potiahnite koniec priamo ku kotviacemu bodu. (Obrázok 6)

**KROK 5:** Nechajte lano posúvať sa cez nastavovací mechanizmus pri naklonení dozadu. Keď je nastavovací mechanizmus v požadovanej polohe, uvoľnite ho. (Obrázok 7)

**KROK 6:** Skontrolujte bezpečné ukotvenie, správne spojenia a nastavenie lana:

- Primeraná pevnosť ukotvenia.
- Upínací hák a karabínka sú riadne pripojené k celotelovému postroju alebo telovému pásu.
- Popruh sa nemôže sklznúť ani sa posunúť za kotviaci bod.
- Popruh je správne napnutý.

*Nepoužívajte upínací hák ani karabínku na spätné pripojenie k lanu. Obidva konektory sa musia pripojiť k D-krúžkom na príslušných stranách. Nikdy nepoužívajte nastaviteľný popruh na polohovanie pri práci len s jedným konektorom pripojeným k celotelovému postroju.*

### 4.0 POUŽÍVANIE

*Používatelia, ktorí používajú popruhy prvýkrát alebo zriedka, by si pred použitím tohto popruhu mali prečítať časť Bezpečnostné informácie na začiatku tejto príručky.*

**4.1 KONTROLA PRACOVNÍKA:** Pred každým použitím skontrolujte popruh podľa kontrolného zoznamu uvedeného v *Zázname o kontrole a údržbe (tabuľka 2)*. Ak kontrola odhalí nebezpečný stav alebo zistí, že popruh bol vystavený poškodeniu alebo silám pri páde, popruh sa musí vyradiť z prevádzky a zlikvidovať.

**4.2 POUŽÍVANIE:** Vždy najskôr pripojte koniec popruhu s podporou tela k celotelovému postroju alebo telovému pásu a potom pripojte koniec s ramenami k vhodnému ukotveniu. Vždy minimalizuje povolenie popruhu v blízkosti miesta s rizikom pádu tým, že budete pracovať čo najbližšie k ukotveniu. Podrobnosti o pripojení podpory tela a ukotvenia nájdete v časti 3. Počas používania pravidelne kontrolujte upevňovacie a / alebo nastavovacie prvky.

**4.3 PO PÁDE:** Každý popruh, ktorý bol vystavený silám pri zabrzdení pádu alebo vykazuje poškodenie zodpovedajúce účinkom síl pri zabrzdení pádu, ako je opísané v *Zázname o kontrole a údržbe (tabuľka 2)*, sa musí okamžite vyradiť z prevádzky a zlikvidovať.

## 5.0 KONTROLA

**5.1 INTERVAL KONTROLY:** Popruh sa musí kontrolovať v intervaloch určených v časti 2. Postupy kontrol sú opísané v časti *Záznam o kontrole a údržbe (tabuľka 2)*.

*Náročné pracovné podmienky (drsné prostredia, dlhodobé používanie a pod.) si môžu vyžadovať skrátené intervaly kontrol.*

**5.2 STAVY ZHORŠENEJ BEZPEČNOSTI ALEBO POŠKODENIA:** Ak sa pri kontrole zistí nebezpečný alebo chybný stav, popruh ihneď vyradte z prevádzky a zlikvidujte ho, aby sa omylom nepoužil. Popruhy nemožno opravovať.

**5.3 ŽIVOTNOSŤ PRODUKTU:** Funkčnú životnosť popruhov od spoločnosti 3M určujú pracovné podmienky a údržba. Maximálna životnosť môže dosahovať od 1 roka pri častom používaní v náročných podmienkach až po 10 rokov pri občasnom používaní v miernych podmienkach. Keď tento výrobok splní kritériá kontroly, môže sa ďalej používať až do maximálnej doby 10 rokov.

## 6.0 ÚDRŽBA, SERVIS A SKLADOVANIE

*Popruhy nečistite ani nedezinfikujte iným spôsobom než tým, ktorý je uvedený v pokynoch na čistenie nižšie. Iné spôsoby môžu mať na popruhy alebo na používateľa nežiaduce účinky.*

**6.1 ČISTENIE:** Postupy čistenia popruhu sú nasledujúce:

- Vonkajšie časti popruhu pravidelne čistite vodou a jemným mydlovým roztokom. Teplota vody nesmie prekročiť 40 °C (104 °F). Uložte popruh tak, aby mohla odtiecť prebytočná voda. Nečistite chemicky. Nežehlite. Podľa potreby vyčistite štítky.
- Opláchnite ho a nechajte úplne uschnúť na vzduchu. Nepoužívajte na zrýchlenie schnutia ohrev.

*Na čistenie popruhov používajte čistiaci prostriedok bez obsahu bielidla. Pri čistení a sušení popruhov sa NESMIE používať aviváž ani obrúsky do sušičky.*

**6.2 SERVIS:** Popruhy nemožno opravovať. Ak bol popruh vystavený akémukoľvek poškodeniu alebo silám pri páde alebo ak kontrola odhalí nebezpečný alebo chybný stav, vyradte popruh z prevádzky a zlikvidujte ho.

**6.3 SKLADOVANIE A DOPRAVA:** Popruhy skladujte a prepravujte v chladnom, suchom a čistom prostredí na mieste, kde nie sú vystavené priamemu slnečnému žiareniu. Vyhýbajte sa priestorom s možnosťou výskytu chemických výparov. Po každom dlhšom skladovaní popruh starostlivo skontrolujte.

## 7.0 ŠTÍTKY

Obrázok 8 znázorňuje štítky na popruhoch a ich umiestnenie. Na popruhu sa musia nachádzať všetky štítky - pozrite obrázok 1 .

Informácie na každom štítku sú nasledovné:

Pozrite si obrázok 8:	Popis:
①	Číslo modelu
②	Sériové číslo
③	Číslo šarže
④	Adresa výrobcu
⑤	Pozri pokyny
⑥	Európska norma
⑦	Značka CE
⑧	Číslo oznámeného orgánu ydávajúceho vyhlásenie o zhode
⑨	Dĺžka
⑩	Mesiac výroby
⑪	Rok výroby
⑫	Webová adresa výrobcu
⑬	Priemer lana
⑭	Kapacita





## VARNOSTNE INFORMACIJE

**Preden uporabite ta trak za nameščanje na delovno točko/omejitev odstopanja od delovne točke (Work Positioning/Travel Restraint Lanyard), prosimo, da preberete, razumete prebrano in upoštevate vse varnostne informacije, ki jih vsebuje ta priročnik. NEUPOŠTEVANJE LAHKO POVZROČI HUDE TELESNE POŠKODBE ALI SMRT.**

**Navodila je treba posredovati uporabniku opreme. Te informacije vedno hranite na priročnem mestu.**

### Predvidena uporaba:

Ta trak za nameščanje na delovno točko/omejitev odstopanja od delovne točke je namenjen za uporabo kot sestavni del celotnega sistema za zaščito pri padcu oseb. Trakovi za nameščanje na delovno točko/omejitev odstopanja od delovne točke ščitijo uporabnika pred nesrečo s padcem ali zmanjšujejo tveganje nastanka nesreče s padcem.

Podjetje 3M ne odobrava uporabe, za katere koli druge namene, kar med ostalim vključuje prenašanje materialov, rekreativne ali športne dejavnosti, ali druge dejavnosti, ki niso opisane v Navodilih za uporabnike; neupoštevanje navedene namembnosti lahko povzroči hude telesne poškodbe in smrt!

To napravo sme uporabljati samo usposobljen uporabnik pri izvajanju del na delovnem mestu.

## OPOZORILO

Ta trak za nameščanje na delovno točko/omejitev odstopanja od delovne točke je sestavni del celotnega sistema za zaščito pri padcu oseb. Pričakujte se, da so vsi uporabniki podrobno seznanjeni in usposobljeni za varno namestitvev in delovanje svojega sistema za zaščito pri padcu oseb. **Nepravilna uporaba te naprave lahko povzroči hude telesne poškodbe ali smrt.** Za pravilno izbiro, delovanje, namestitvev, vzdrževanje in servisiranje glejte ta Navodila za uporabnike in vsa priporočila izdelovalca, se posvetujte z nadrejenim ali se obrnite na Tehnične storitve podjetja 3M.

- **Da bi se izognili povzročitvi hude telesne poškodbe ali smrti pri delu s trakom za nameščanje na delovno točko/omejitev odstopanja od delovne točke, morate upoštevati pravila za zmanjševanje tveganj, ki zahtevajo naslednje:**
  - To napravo lahko uporabljate samo za pritrditev na izbrano delovno točko ali za omejitev odstopanja iz položaja v izbrani delovni točki. Trakove za nameščanje na delovno točko morate postaviti tako, da zagotovijo ustavitev prostega padca po dveh čevljih (0,6 m) ali manj in da pri padcu čim bolj zmanjšajo nihanje. Trakove za omejitev odstopanja od delovne točke morate namestiti tako, da ščitijo uporabnika pred nesrečo s padcem ali zmanjšujejo tveganje nastanka nesreče s padcem.
  - Teh trakov (tj. trakov brez sistema za blažitev udarnih obremenitev pri padcu) ne smete nikoli uporabiti kot primarno napravo za preprečevanje padca.
  - Napravo pregledajte pred vsako uporabo, najmanj pa enkrat letno in po vsakem dogodku, ki je sprožil delovanje naprave za preprečitev padca. Pri pregledu naprave vedno sledite Navodilom za uporabnike.
  - Če pri pregledu ugotovite, da naprava ni varna ali ima poškodbe in nepravilnosti pri delovanju, morate to napravo izločiti iz uporabe in uničiti.
  - Vsako napravo, ki je bila podvržena sili ob zadrževanju padca ali udarni sili, je treba nemudoma izločiti iz uporabe in uničiti. Glejte Navodila za uporabnike ali se obrnite na podjetje 3M Fall Protection.
  - Zagotovite, da so vsi podsistemi za privezovanje (npr. trakovi z vponkami, rešilne vrvi) varno nameščeni in se med drugim prepričajte, da se trakovi niso prepletli s trakovi drugih delavcev in da se trakovi ene naprave niso prepletli med sabo, s premičnimi deli strojev ali z drugimi predmeti v bližini.
  - Zagotovite namestitvev ustrezne zaščite pred ostrimi robovi, če obstaja možnost, da reševalna vrv pride v stik z ostrimi robovi ali vogali.
  - Zagotovite, da je naprava pravilno nameščena za predvideno uporabo.
  - Neuporabljeni/-e krak/-e trakov pritrdite na varnostne zaponke, če je varovalno-pozicijski pas za celotno telo opremljen z varnostnimi zaponkami za fiksiranje neuporabljenega kraka traku.
  - Traku ne smete vezati ali vozlati.
  - Ne smete preseči števila dopustnih uporabnikov.
  - Za sisteme/podsisteme za zaščito pred padcem, ki so sestavljeni iz komponent različnih izdelovalcev, zagotovite, da so vse komponente med sabo združljive in da izpolnjujejo zahteve ustreznih standardov, vključno s standardom ANSI Z359 ali z drugimi ustreznimi predpisi, standardi ali zahtevami v zvezi z zaščito pred padcem. Pred uporabo teh sistemov se vedno posvetujte s pristojno ali kvalificirano osebo.
- **Da ne bi prišlo do hude telesne poškodbe ali smrti pri delu na višini, morate upoštevati pravila za zmanjševanje tveganj, ki zahtevajo naslednje:**
  - Zagotovite, da vam zdravje in fizična pripravljenost dovoljujeta, da varno delate in zdržite vse sile, ki ste jim izpostavljeni pri delu na višini. Če ste v dvomih glede svoje sposobnosti, da uporabljate to opremo, se posvetujte s svojim zdravnikom.
  - Nikoli ne smete preseči dopustne nosilnosti svoje opreme za zaščito pred padcem.
  - Nikoli ne smete preseči maksimalne razdalje prostega padca, ki je določena za vašo opremo za zaščito pred padcem.
  - Ne smete uporabiti opreme, za katero je bilo pri strokovnem »pregledu pred uporabo« ali pri drugem pregledu v okviru načrtovanih vzdrževalnih del ugotovljeno, da ne izpolnjuje pogojev za varno delo, ali če menite, da vaša oprema ne ustreza pogojem vašega delovnega mesta. Za vsa vprašanja se obrnite na Tehnične storitve podjetja 3M.
  - Kombinacije z nekaterimi podsistemi in sestavnimi deli lahko vplivajo na delovanje opreme. Uporabljajte samo združljive priključke. Pred uporabo opreme v kombinaciji s sestavnimi deli ali podsistemi, ki niso opisani v Navodilih za uporabnike, se posvetujte s podjetjem 3M.
  - Upoštevajte dodatne varnostne ukrepe, ko delate v bližini strojev za zemeljska dela (npr. zgornji pogon oljne ploščadi), visokonapetostnih električnih vodnikov, visoke temperature, nevarnih kemikalij, eksplozivnih ali strupenih plinov, ostrih robov, ali na deloviščih, na katerih se izvajajo dela na višini z materiali, ki lahko padejo na vas ali vašo opremo za zaščito pred padcem.
  - Ko delate v okoljih z visoko toploto, uporabljajte naprave za zaščito pred prebojnim vžigom ali naprave za zaščito pri varjenju, rezanju ali odprtem plamenu.
  - Izogibajte se površinam in predmetom, ki lahko poškodujejo uporabnika ali opremo.
  - Pri delu na višini zagotovite ustrezen prazen prostor na poti padca.
  - Svoje opreme za zaščito pred padcem nikoli ne smete spreminjati ali predelati. Popravila te opreme lahko izvaja samo podjetje 3M ali oseba, ki je od podjetja 3M pridobila pisno pooblastilo.
  - Pred uporabo opreme za zaščito pred padcem preverite, ali je izdelan načrt reševanja pri morebitnem padcu, ki zagotavlja takojšnje reševanje, če se zgodi nesreča.
  - Če se zgodi nesreča s padcem, nemudoma poiščite zdravniško pomoč za ponesrečenega delavca.
  - Za sistem za zaustavitev padca ne smete uporabljati jermena, nameščenega samo okrog pasu. Uporabljajte samo varovalno-pozicijski pas za celotno telo.
  - Nevarnost padcev z nihanjem lahko zmanjšate tako, da delate neposredno pod sidrno točko.
  - Ko uporabljate to napravo pri usposabljanju delavca, morate uporabiti sekundarno zaščito pred padcem na način, ki delavca, ki se še uči, ne bo izpostavil nevarnosti neželenega padca.
  - Vedno si nadenite osebno zaščitno opremo, ko nameščate, uporabljate, ali pregledujete napravo/sistem.

Pred uporabo te opreme vpišite identifikacijske podatke o izdelku (glejte sliko 8) v preglednico 2 »Dnevnika pregledov in vzdrževanja«, ki je na koncu tega priročnika.

Vedno zagotovite, da uporabljate najnovejšo različico navodil za uporabo 3M. Obiščite spletno mesto 3M ali pa se obrnite na tehnične storitve 3M za posodobljene uporabniške priročnike.

## OPIS

Nastavljiva vrv 3M™ Protecta® TRIGGER™ se uporablja kot del sistema za delovno pozicioniranje oseb. Popolni sistemi za delovno pozicioniranje vključujejo varovalno-pozicijske trakove za celotno telo ali varnostni pas, »vrv z zaključno zanko« za pozicioniranje in varnostni sistem za zaustavitev padca oseb. Sistem za nastavitev uporabniku omogoča, da med uporabo preprosto nastavi dolžino vrvi z zaključno zanko. Ta oprema ni primerna za zaustavitev padca, zato se mora pri uporabi delovnega pozicioniranja poskrbeti za dodatno zaščito pred padcem z višine z zagotavljanjem skupne zaščite delavcev (npr. varnostne mreže) ali osebne zaščite delavca (npr. sistemi za zaustavitev padca).

Slika 1 prikazuje nastavljivo vrv z zaključno zanko za delovno pozicioniranje, za katere velja ta priročnik z navodili. Na voljo so različni modeli z različnimi kombinacijami naslednjih funkcij:

## Preglednica 1 – Specifikacije

<b>SPECIFIKACIJE SESTAVNIH DELOV</b>		
<b>Slika 1 Navedba:</b>		<b>Opis:</b>
<b>Vponka z ohišjem za nastavitev vrvi</b>	①	Priprava za nastavitev vrvi TRIGGER™
	②	AJ514/0
	③	AJ572/0
	④	AJ501/0
<b>Podporna priprava za spenjanje, nameščena na vrvi</b>	⑤	AJ523/0
	⑥	20LF
	⑦	AJ565/0
	⑧	AJ595/0
<b>Vrvi</b>	⑨	Statična vrv – 10,5 mm (0,41 in.)
<b>Dodatna oprema</b>	⑩	Zaščitna objemka za vrv, odporna proti drgnjenju
<b>Konec vrvi</b>	⑪	Enostaven vozal na koncu vrvi
<b>Nalepke</b>	⑫	Nalepke

<b>SPECIFIKACIJE SISTEMA</b>	
<b>Zmogljivost:</b>	
LY	Dolžina vrvi z zaključno zanko (glejte sliko 1).
Nosilnost:	1 oseba z združeno težo (vključno z obleko, orodjem itd.) največ: 140 kg (309 funtov)
Območje delovne temperature:	Najmanj: -35 °C (-31 °F) Največ: +57 °C (135 °F)
<b>Materiali:</b>	
Sestavni del ohišja naprave:	Nerjavno jeklo, legirano jeklo, aluminijeva zlitina in guma – natezna trdnost 22 kN (4946 funtov)
Vponke-karabin z zapiralnim kavljem:	Legirano jeklo, Aluminij - 22 kN (4 946 lbf) Najmanj Natezna trdnost
Kavlji:	Jeklo, nerjavno jeklo in galvansko cinkano ali galvansko kromirano jeklo – natezna trdnost 22 kN (4946 funtov)
Vrv:	Najlon - 22 kN (4 946 lbf) Natezna trdnost
Pokrov vrvi:	Poliester, Najlon

## 1.0 UPORABA

- 1.1 NAMEN:** Vrvi z zaključno zanko so oblikovane tako, da so del sistema za zaustavitev padca oseb (glejte sliko 2). Namenjene so ublažitvi padca, omejevanju sil, ki delujejo na telo pri padcu, ali delovnemu pozicioniranju in kot del zadrževalnih sistemov, odvisno od vrste. Slika 1 kaže modele vrvi z zaključno zanko, za katere velja ta priročnik z navodili. Uporabijo se lahko v večini situacij, kjer je potrebna kombinacija mobilnosti delavca in zaščite pred padcem (tj. pregledi opreme, splošno gradbeništvo, vzdrževalna dela, proizvodnja nafte, delo v utesnjemem prostoru ipd.).
- 1.2 STANDARDI:** Vrv z zaključno zanko je v skladu z državnimi ali regijskimi standardi, ki so navedeni na prvi strani tega priročnika. Za dodatne informacije glede sistema za zaščito pred padcem oseb glejte lokalne zahteve, ki urejajo varnost pri delu. Pri preprodaji tega izdelka zunaj prvotne namembne države mora preprodajalec zagotoviti prevod teh navodil v jezik države, v kateri se bo izdelek uporabljal.
- 1.3 USPOSABLJANJE:** To opremo lahko uporabljajo osebe, ki so usposobljene za pravilno uporabo. Uporabnikova odgovornost je, da zagotovi, da je seznanjen s temi navodili in usposobljen za pravilno ravnanje s to opremo in njeno uporabo. Uporabniki morajo biti seznanjeni z značilnostmi delovanja, omejitvami in posledicami neustrezne uporabe te opreme.
- 1.4 ZAHEVE:** Pri nameščanju ali uporabi te opreme vedno upoštevajte spodnje omejitve:
- **Nosilnost:** Vrvi z zaključno zanko so namenjene uporabi pri eni osebi z združeno težo (oblačila, orodja, itd.), ki ustreza razponu teže, navedenemu na preglednici 1 za zadevni model vrvi z zaključno zanko. Zagotovite, da imajo vsi deli sistema nazivne nosilnosti, ki ustrezajo namembni uporabi.
  - **Sidrišče:** Sidrišča za sisteme za zaustavitev padca morajo biti dovolj močna, da prenesejo statično težo v smeri, ki jo dopušča sistem, in sicer najmanj:
    - A. 12 kN (2 698 lb) za kovinska sidra ali 18 kN (4 047 lb) za tkana sidra za necertificirana sidrišča ali
    - B. dvakratna največja sila za zaustavitev padca za certificirana sidrišča.Če to dopušča vrsta sidra, se lahko na sidrišče namesti več kot en sistem za zaustavitev padca, pri čemer se nosilnosti, opredeljene pod točko (1) in (2) zgoraj pomnožijo s številom sistemov, pritrjenih na sidrišče.
  - **PADCI Z NIHANJEM:** Do padcev z nihanjem pride, ko sidrna točka ni postavljena neposredno nad točko, na kateri se opravlja delo. Sila trka ob predmet pri padcu z nihanjem lahko povzroči hude poškodbe (glejte sliko 3). Nevarnost padcev z nihanjem lahko zmanjšate tako, da delate neposredno pod sidrno točko. Vrvica za vrv vedno namestite in / ali prilagodite tako, da se točka pritrditve ohrani na ravni pasu ali nad njo; vrvica je napeta; in prosto gibanje je omejeno na največ 0,6 m (1,97 ft).
  - **Tveganja:** Uporaba te opreme v območjih z okoljskimi nevarnostmi lahko zahteva dodatno previdnost, da zmanjšate možnosti poškodb uporabnika ali škode na opremi. Nevarnosti med drugim vključujejo: visoke temperature, jedke kemikalije, korozivno okolje, visokonapetostne električne vodnike, eksplozivne ali strupene pline, stroje za zemeljska dela, gradbeni material pri delu na višini, ki lahko pade na uporabnika, ali sistem za zaustavitev padca. Izogibajte se delu, kjer bi se vaša vrv z zaključno zanko prekržala ali zavozlala z reševalno vrvjo drugega delavca. Izogibajte se delu, kjer obstaja možnost, da predmet pade in zadene vrv z zaključno zanko, saj lahko s tem izgubite ravnotežje ali poškodujete vrv z zaključno zanko. Ne dovolite, da bi vrv z zaključno zanko potekala pod rokami ali med nogami.

## 2.0 UPORABA

- 2.1 NAČRT ZAŠČITE PRED PADCEM IN REŠEVANJA:** Delodajalec mora imeti načrt zaščite pred padcem in reševanja. Načrt mora podajati smernice in zahteve za program zaščite pred padcem, s katero upravlja delodajalec, vključno s pravilniki, dolžnostmi in usposabljanjem, postopke zaščite pred padcem, odpravljanje in obvladovanje nevarnosti za padec, reševalne postopke, preiskave incidentov in ocenjevanje uspešnosti programa.
- 2.2 POGOSTOST PREGLEDOV:** Vrvi z zaključno zanko mora delavec pregledati<sup>1</sup> pred vsako uporabo. Poleg tega mora pristojna oseba, ki ni uporabnik<sup>2</sup>, opraviti dodatni pregled. Skrajni delovni pogoji (zahtevne razmere, podaljšana uporaba ipd.) bodo morda zahtevali pogostejše preglede, ki jih opravijo pristojne osebe. Pristojna oseba mora določiti primerne intervale pregleda. Postopki pregledov so opisani v »Dnevniku pregledov in vzdrževanja« (preglednica 2). Rezultati pregledov, ki jih opravi pristojna oseba, morajo biti evidentirani v »Dnevniku pregledov in vzdrževanja« ali zapisani s sistemom za radiofrekvenčno identifikacijo (RFID).
- 2.3 ZDRUŽLJIVOST DELOV:** Če ni drugače navedeno, je oprema znamke 3M namenjena samo za uporabo z odobrenimi deli opreme in podsistemi znamke 3M. Nadomestna uporaba ali menjava delov s tistimi deli oziroma podsistemi, ki niso odobreni, lahko ogrozi zdržljivost opreme in lahko vpliva na varnost in zanesljivost celotnega sistema.
- 2.4 ZDRUŽLJIVOST PRIPRAV ZA SPENJANJE:** Vezni elementi (priključki) veljajo za združljive s priključnimi elementi, ki so oblikovani za delo na način, pri katerem njihova velikost in oblika ne povzročata, da bi se zapiralni mehanizem nenamerno odprl, ne glede na to, kako so obrnjeni. Če imate vprašanja v zvezi z združljivostjo, se obrnite na podjetje 3M. Priključki (kavlji, vponke (karabini) in vponke v obliki črke D) morajo imeti nosilnost vsaj 22 kN (5.000 lbs). Priprave za spenjanje morajo biti združljive s sidriščem ali z drugimi komponentami sistema. Ne uporabljajte opreme, ki ni združljiva. Nezdružljivi vezni elementi se lahko nenamerno odklopijo (glejte sliko 4). Priprave za spenjanje morajo biti združljive po velikosti, obliki in trdnosti. Zahteva se uporaba samozaklepnih zaskočnih zapiral (kavljev) in karabinov (vponk). Če so priključni elementi, na katere se priključijo zaskočna zapirala ali karabini, premajhni ali nepravilne oblike, lahko pride do situacije, kjer priključni element pritiska na zaskočna zapirala ali karabin (A). Ta sila lahko povzroči, da se zapiralo odpre (B) in s tem zaskočno zapiralo ali karabin odklopi od točke povežljivosti (C).
- 2.5 POVEZOVANJE:** Zaskočna zapirala in karabini, ki se uporabljajo s to opremo, morajo biti samozaklepní. Preverite in zagotovite, da so vse priprave za spenjanje združljive po velikosti, obliki in trdnosti. Ne uporabljajte opreme, ki ni združljiva. Preverite in se prepričajte, da so vse priprave za spenjanje v celoti zaprte in zaklenjene. Priprave za spenjanje znamke 3M (zaskočne kljuke in vponke) so oblikovane za uporabo samo na način, ki je določen v navodilih za uporabo posameznega izdelka. Oglejte si sliko 5 za primere neustreznih priključkov. Ne povezuje zaskočnih zapiral in karabinov:

**1 Delavec:** oseba, ki je pred padci zaščitená z aktivnim sistemom za zaščito pred padcem, ali v primeru sistema za zaustavitev padca: oseba, ki lahko pade ob uporabi sistema.

**2 Pristojna oseba:** Posameznik, ki ga določi delodajalec, odgovoren za neposredni nadzor, izvajanje in spremljanje programa zaščite pred padci, s katero upravlja delodajalec, in ki s svojo usposobljenostjo in znanjem lahko ugotovi, oceni in obravnava obstoječe in potencialne nevarnosti za padce, ter ima pooblastilo delodajalca, da sprejme takojšnje korektivne ukrepe v zvezi s takšnimi nevarnostmi.

- A. Na vponko v obliki črke D, na katero je priključen drug vezni element.
- B. Na način, ki bi imel za posledico breme na zapiralu. Zaskočnih kljuk z odprtino velikega premera se ne sme vpeti v D-sponke standardne velikosti ali v druge sponke ali vponke, ker bo to pri sukanju in obračanju kljuge in D-sponke lahko povzročilo obremenitev zapornice zaskočne kljuge, razen če je kljuka opremljena z zapornico, ki prenese silo 16 kN (3600 funtov).
- C. Pri napačni priključitvi, pri kateri velikost ali oblika pripadajočih priključkov nista združljivi, se priključki brez vizualne potrditve lahko zdijo v celoti priključeni.
- D. Drugo na drugo.
- E. Neposredno na trakove ali vrv z zaključno zanko ali reševalno zanko (razen če proizvajalčeva navodila za reševalno zanko in vezni element izrecno dovoljuje takšno povezavo).
- F. Na predmet, ki je oblikovan tako, da se zaskočno zapiralo ali karabin ne bosta zapirala in zaklenila, ali pri katerem lahko pride do morebitnega odprtja.
- G. Na način, ki ne omogoča veznemu elementu, da se ustrezno uravna, medtem ko je ta obremenjen.

### 3.0 NAMEŠČANJE IN NASTAVITEV

- 3.1 NAČRTOVANJE:** Preden začnete z delom, izdelajte načrt sistema za zaščito pred padcem. Upoštevajte vse dejavnike, ki bi lahko vplivali na vašo varnost pred padcem, med njim in po njem. Obravnavajte vse zahteve, opisane v razdelku 1.
- 3.2 SIDRIŠČE:** Izberite točko sidrišča, kjer je najmanjša nevarnost prostega padca in padca z nihanjem (glejte razdelek 1). Izberite solidno sidrno točko, ki lahko zdrži statične obremenitve, določene v razdelku 1.
- 3.3 POVEZAVA PODPORE TELESU:** »Vrv z zaključno zanko« za zadrževanje/delovno pozicioniranje morate uporabljati z varovalno-pozicijskimi trakovi za celotno telo ali z varnostnim pasom. Za zadrževalni sistem, ki skrbi, da do padca ne bi prišlo, pripnite vrv z zaključno zanko na ustrezno pripravo za pripenjanje (D-vponko) na varovalno-pozicijskih trakovih ali na pasu. Za namestitev drugih sistemov za zaščito pred padcem in za priporočene povezave si oglejte navodila, ki ste jih prejeli z varovalno-pozicijskimi trakovi ali z varovalnim pasom.
- 3.4 PRIPENJANJE NA VRV ZA DELOVNO POZICIONIRANJE:** Pri pripenjanju zagotovite, da ne more priti do naključnega odpiranja priprave za spenjanje tako, da priprava za pripenjanje (D-vponka ali podobno) lahko zdrsne in izpade. (Glejte razdelek 2.5 »Povezave«.) Če vponka-kavelj in D-vponka nista združljivi, se zapiralo vponke-kavelj ne zapre do konca in D-vponka lahko izpade, ali se obremenjena vponka-kavelj, ne more pravilno uravnati, kar ustvari silo, ki pritiska zapiralo vponke-kavelj v smeri odpiranja.
- 1. KORAK:** Pripnite »zaklepno podporno pripravo za spenjanje vrvi« (glejte sliko 1) na eno izmed dveh D-vponk, levo ali desno, nameščenih na varnostnem pasu delavca ali na njegovih varovalno-pozicijskih trakovih za celotno telo.
  - 2. KORAK:** Obvijte »vrv z zaključno zanko« okrog trdne sidrne točke, ki lahko prenese obremenitve 12 kN (2 698 lb) ali več. Preglejte in se prepričajte, da je »vrv z zaključno zanko« varno pritrjena tako, da se ne more odpeti s sidrišča ali zdrsniti vzdolž sidrnega stebra pod sidrno točko.
  - 3. KORAK:** Pripnite »vponko z ohišjem za nastavitev vrvi« (glejte sliko 1), na D-vponko na nasprotni strani. Ko je priprava za spenjanje pripeta, mora biti zaskočno zapiralo vponke-kavelj, ali zapiralo vponke-karabin, obrnjeno navzven, stran od uporabnika.
  - 4. KORAK:** Da skrajšate vrv za delovno pozicioniranje, povlecite neuporabljeni del vrvi točno proti sidrni točki. (Slika 6)
  - 5. KORAK:** Dovolite, da se vrv uvleče skozi pripravo za nastavitev vrvi, med tem je telo nagnjeno nazaj. Ko dosežete želeni položaj, spustite pripravo za nastavitev vrvi. (Slika 7)
  - 6. KORAK:** Zagotovite, da je sidrišče trdno, da so povezave pravilne in da je nastavitev vrvi za delovno pozicioniranje ustrezna tako, da pregledate in se prepričate, da je:
    - trdnost sidrišča ustrezna;
    - povezava zaskočne vponke-kavelj in vponke-karabin z varovalno-pozicijskimi trakovi za celotno telo ali z varnostnim pasom pravilna;
    - povezava »vrvi z zaključno zanko« s sidriščem varna, da se ta ne more odpeti s sidrišča ali zdrsniti vzdolž sidrnega stebra pod sidrno točko;
    - »vrv z zaključno zanko« pravilno zategnjena.

*Ne smete uporabiti zaskočnih vponk-kavelj ali vponk-karabin za hrbtno povezavo na vrv, zaradi blažitve udarcev. Vsaka od obeh priprav za spenjanje, nameščenih na koncih »vrvi z zaključno zanko« (to je vrvi za delovno pozicioniranje), mora biti povezana s svojo ustrezno bočno D-vponko. Ne smete nikoli uporabljati nastavljenih vrvi za delovno pozicioniranje tako, da na varovalno-pozicijske trakove za celotno telo pripnete samo eno pripravo za spenjanje.*

### 4.0 DELOVANJE

*Pred začetkom uporabe (vrvi z zaključno zanko) morajo novi uporabniki in uporabniki, ki naprave uporabljajo občasno, prebrati »Varnostne informacije« na začetku tega priročnika.*

- 4.1 PREGLED, KI GA OPRAVI DELAVEC:** Pred vsako uporabo pregledjte vrv v skladu s seznamom pregledov v *Dnevniku za preglede in vzdrževanje (preglednica 2)*. Če med pregledom odkrijete nevarna stanja ali znake, ki kažejo, da je vrv z zaključno zanko bila poškodovana, ali izpostavljena silam zaviranja pri zaustavitvi padca, morate vrv z zaključno zanko odstraniti iz uporabe in jo uničiti.
- 4.2 DELOVANJE:** Vedno najprej povežite konec vrvi z zaključno zanko, namenjen za podporo telesu, z varovalno-pozicijskimi trakovi za celotno telo ali z varnostnim pasom, nato povežite prosti konec z ustrezno sidrno točko. V

bližini mest z nevarnostjo padca naj bo vedno razrahljanost vrvi z zaključno zanko čim manjša, kar dosežete tako, da delate čim bližje sidrni točki. Glejte razdelek 3 za podrobnosti v zvezi s podporo telesu in z povezovanjem s sidrno točko. Med uporabo redno preverjajte elemente za pritrditev in / ali nastavitve.

- 4.3 PO PADCU:** Vsako vrv z zaključno zanko, ki je bila izpostavljena silam zaustavljanja padca, ali ima vidne poškodbe, enake tistim, ki jih povzročijo sile zaustavljanja padca, kot je opisano v *Dnevniku za namestitev in vzdrževanje (preglednica 2)*, morate nemudoma prenehati uporabljati in uničiti.

## 5.0 PREGLED

- 5.1 POGOSTOST PREGLEDOV:** Vrv morate pregledovati v intervalih, ki so določeni v razdelku 2. Postopki pregledov so opisani v »Dnevniku pregledov in vzdrževanja« (preglednica 2).

Skrajno težke delovne razmere (težke razmere v okolju, podaljšana uporaba in podobno) bodo morda zahtevali pogostejše preglede.

- 5.2 NEVARNA STANJA ALI RESNE NAPAKE:** Če med pregledom odkrijete nevarna stanja ali resne napake, nemudoma prenehajte uporabljati vrv z zaključno zanko in jo uničite, da odpravite možnost nenamerne ponovne uporabe. Vrvi z zaključno zanko niso popravljive.
- 5.3 ŽIVLJENJSKA DOBA IZDELKA:** Funkcionalna življenjska doba 3M je določena z delovnimi pogoji in vzdrževanjem. Najdaljša življenjska doba lahko sega od 1 leta pri pogosti uporabi v skrajno težkih razmerah do 10 let pri občasni uporabi v ugodnih razmerah. Dokler izdelek med pregledom izpolnjuje merila za uporabnost, ga lahko uporabljate.

## 6.0 VZDRŽEVANJE, SERVISIRANJE IN SKLADIŠČENJE

Vrvi z zaključno zanko ne smete čistiti in razkuževati na noben drug način, razen kot je opisano v »Navodilih za čiščenje« v nadaljevanju. Drugi načini imajo lahko neželene učinke na vrvi z zaključno zanko ali uporabnika.

- 6.1 ČIŠČENJE:** Postopki čiščenja za vrv so naslednji:

- Občasno očistite zunanji del vrvi z zaključno zanko z vodo in blago milnico. Temperatura ne sme presegati 40 °C (104 °F). Namestite vrv z zaključno zanko tako, da se odvečna voda lahko odcedi. Ne smete kemično čistiti. Ne smete likati. Napisne ploščice/nalepke očistite, kot je zahtevano.
- Sperite in temeljito osušite na zraku. Ne uporabljajte prisilnega sušenja s toploto.

Uporabljajte čistilo brez belila za čiščenje vrvi z zaključno zanko. Mehčalca tkanin ali sušilnih listov NE SMETE uporabljati pri čiščenju in sušenju vrvi z zaključno zanko

- 6.2 SERVIS:** Vrvi z zaključno zanko ni mogoče popravljati. Če je bila vrv z zaključno zanko izpostavljena silam zaustavljanja padca, ali je pregled pokazal, da je v nevarnem stanju, ali ima resne napake, je ne smete uporabljati in jo uničiti.
- 6.3 SKLADIŠČENJE/TRANSPORT:** Vrvi z zaključno zanko hranite in prevažajte v hladnem, suhem in čistem okolju, stran od neposredne sončne svetlobe. Izogibajte se območjem, kjer obstaja verjetnost kemičnih hlapov. Vrvi z zaključno zanko temeljito pregledajte po vsakem daljšem obdobju shranjevanja.

## 7.0 NALEPKE

Slika 8 prikazuje nalepke/napisne ploščice na in njihove lokacije. Vse napisne ploščice/nalepke na vrvi z zaključno zanko morajo biti nameščene - glejte sliko 1. Informacije na posamezni nalepki so naslednje:

Glejte sliko 8:	Opis:
①	Številka modela
②	Tovarniška številka
③	Številka serije
④	Naslov proizvajalca
⑤	Glejte navodila
⑥	Evropski standard
⑦	Oznaka CE
⑧	Številka priglašene organa, ki opravlja pregled skladnosti s tipom.
⑨	Dolžina
⑩	Mesec izdelave
⑪	Leto izdelave
⑫	Spletni naslov proizvajalca
⑬	Premer vrvi
⑭	Nosilnost



## BEZBEDNOSNE INFORMACIJE

**Potrebno je da pročitate, razumete i sledite sve bezbednosne informacije sadržane u ovim uputstvima pre upotrebe ovog užeta za radno pozicioniranje/podesivog užeta za zadržavanje. UKOLIKO TAKO NE POSTUPITE, MOŽE DOĆI DO OZBILJNE POVREDE ILI SMRTI.**

**Ova uputstva se moraju obezbediti korisniku ove opreme. Sačuvajte ova uputstva da biste mogli ponovo da ih pročitate.**

### Predviđena upotreba:

Predviđeno je da se ovo uže za radno pozicioniranje/podesivo uže za zadržavanje koristi kao deo potpunog ličnog sistema za zaštitu od pada. Užad za radno pozicioniranje i podesiva užad za zadržavanje se koriste da bi se sprečilo da korisnik bude izložen opasnosti od pada.

Kompanija 3M ne odobrava njihovu upotrebu u druge svrhe, uključujući, bez ograničavanja, rukovanje materijalima, rekreativne ili sportske aktivnosti ili druge aktivnosti koje nisu opisane u Uputstvima za upotrebu jer bi takva upotreba mogla dovesti do ozbiljne povrede ili smrti.

Ovaj uređaj treba da koriste samo obučeni korisnici u primenama na radnom mestu.

## UPOZORENJE

Ovo uže za radno pozicioniranje/podesivo uže za zadržavanje je deo ličnog sistema za zaštitu od pada. Očekuje se da svi korisnici budu potpuno obučeni za bezbedno postavljanje svog ličnog sistema za zaštitu od pada i rukovanje ovim sistemom. **Pogrešna upotreba ovog uređaja može da dovede do ozbiljne povrede ili smrti.** Informacije o pravilnom izboru, funkcionisanju, postavljanju, održavanju i servisiranju potražite u ovim Uputstvima za korisnika i svim preporukama proizvođača, od svog nadzornika ili se obratite tehničkoj službi kompanije 3M.

- **Da bi se smanjili rizici povezani sa radom sa užetom za radno pozicioniranje/podesivim užetom za zadržavanje koji, ako se ne izbegnu, mogu dovesti do ozbiljne povrede ili smrti:**
  - Ovaj uređaj koristite isključivo za primene radnog pozicioniranja ili zadržavanja. Užad za radno pozicioniranje se mora podesiti tako da ograniči razdaljinu slobodnog pada na najviše 0,6 m i da svede na najmanju meru padove sa ljuljanjem. Podesiva užad za zadržavanje se koriste da bi se sprečilo da korisnik bude izložen opasnosti od pada.
  - Nemojte nikada koristiti ovo uže (odnosno, uže koje nije namenjeno za apsorbovanje energije) kao primarni uređaj za zaustavljanje pri padu.
  - Pregledajte uređaj pre svake upotrebe, najmanje jednom godišnje i nakon svakog slučaja pada. Pregledajte ga u skladu sa Uputstvima za korisnika.
  - Ako pregled otkrije da uređaj nije bezbedan ili da je oštećen, uklonite uređaj iz upotrebe i uništite ga.
  - Svaki uređaj koji je bio izložen zaustavljanju pri padu ili sili udara mora se odmah ukloniti iz upotrebe. Pročitajte Uputstva za korisnika ili se obratite tehničkoj službi kompanije 3M za zaštitu od pada.
  - Pobrinite se da svi podsistemi za povezivanje (tj. trake) budu zaštićeni od svih opasnosti uključujući, ali bez ograničenja na zamršenost sa drugim radnicima, vama, pokretnom mehanizacijom ili drugim objektima u okolini.
  - Obezbedite odgovarajuću zaštitu od ivica u slučaju da opasač dođe u dodir sa oštrim ivicama ili uglovima.
  - Pobrinite se da je uređaj pravilno namešten u skladu sa njegovom namenom.
  - Pričvrstite slobodni krak(ove) užeta za dodatak/ke za parkiranje užeta na pojasu ukoliko postoji.
  - Nemojte podvezivati ili vezivati uže u čvor.
  - Nemojte prekoračiti dozvoljeni broj korisnika.
  - Pobrinite se da sistemi/podsistemi za zaštitu od pada sačinjeni od komponenata različitih proizvođača budu kompatibilni i zadovoljavaju zahteve važećih standarda, uključujući ANSI Z359 ili druge važeće kodekse, standarde ili zahteve za zaštitu od pada. Uvek se posavetujte sa kompetentnim ili kvalifikovanim licem pre upotrebe ovih sistema.
- **Da bi se smanjili rizici povezani sa radom na visini koji, ako se ne izbegnu, mogu dovesti do ozbiljne povrede ili smrti:**
  - Pobrinite se da su vaše zdravlje i fizička kondicija takvi da vam omogućavaju da bezbedno podnesete sve sile povezane sa radom na visini. Posavetujte se sa svojim lekarom ako imate bilo kakva pitanja u vezi sa vašom sposobnošću da koristite ovu opremu.
  - Nikad nemojte premašiti dozvoljeni kapacitet vaše opreme za zaštitu od pada.
  - Nikad nemojte premašiti maksimalnu razdaljinu slobodnog pada vaše opreme za zaštitu od pada.
  - Nemojte koristiti opremu za zaštitu od pada koja nije prošla inspekciju pre upotrebe ili druge planirane inspekcije, ili ako imate nedoumice u pogledu upotrebe ili pogodnosti opreme za vašu namenu. Ako imate bilo kakva pitanja obratite se tehničkoj službi kompanije 3M.
  - Neke kombinacije podsistema i komponenti mogu uticati na funkcionisanje ove opreme. Koristite samo kompatibilne veze. Posavetujte se sa kompanijom 3M pre upotrebe ove opreme u kombinaciji sa komponentama ili podsistemima osim onih opisanih u Uputstvima za korisnika.
  - Primenite dodatne mere opreza pri radu sa pokretnom mehanizacijom (npr. vršni pogon naftnih bušotina), u slučaju električnih hazarda, ekstremnih temperatura, hemijskih hazarda, eksplozivnih ili toksičnih gasova, oštrih ivica ili rada ispod materijala nad glavom koji bi mogli da padnu na vas ili vašu opremu za zaštitu od pada.
  - Koristite Arc Flash ili Hot Works uređaje pri radu u sredinama sa visokom temperaturom.
  - Izbegavajte površine i objekte koji mogu da povrede korisnika ili oštete opremu.
  - Pobrinite se da postoji odgovarajuća čistina za pad pri radu na visini.
  - Nikad nemojte vršiti izmene na svojoj opremi za zaštitu od pada. Samo kompanija 3M ili strane koje je kompanija 3M pismeno ovlastila mogu da vrše popravke ove opreme.
  - Pre upotrebe opreme za zaštitu od pada, pobrinite se da postoji plan spasavanja koji omogućava brzo spasavanje u slučaju pada.
  - Ako dođe do pada, odmah potražite medicinsku negu za radnika koji je pao.
  - Nemojte koristiti pojas za telo za primene zaustavljanja pada. Koristite samo pojas za celo telo.
  - Svedite na najmanju meru padove sa ljuljanjem tako što ćete raditi što je neposrednije moguće ispod tačke sidrenja.
  - Ukoliko se vrši obuka sa ovim uređajem, mora se koristiti drugi sistem za zaštitu na takav način da se lice na obuci ne izloži nepredviđenoj opasnosti od pada.
  - Uvek nosite odgovarajuću ličnu zaštitnu opremu pri postavljanju, upotrebi ili pregledanju uređaja/sistema.



Pre nego što upotrebite ovu opremu, zabeležite informacije o identifikaciji proizvoda (videti Sliku 8) u „Dnevniku kontrola i održavanja“, Tabela 2, na poleđini ovog priručnika.

Pobrinite se da uvek koristite najnoviju verziju uputstva za korisnike kompanije 3M. Posetite veb-sajt kompanije 3M ili se obratite tehničkoj službi kompanije 3M u vezi sa ažuriranim uputstvima.

## OPIS

3M™ Protecta® TRIGGER™ Podesivo uže je predviđeno za upotrebu kao deo ličnog sistema za radno pozicioniranje. Sistemi za radno pozicioniranje obično obuhvataju pojas za celo telo i pojas za telo, uže za pozicioniranje i rezervni lični sistem za zaustavljanje pada. Sistem za podešavanje ima mogućnost lakog prilagođavanja dužine užeta tokom upotrebe. Ova oprema nije podesna za sprečavanje padova i neophodno je obezbediti održavanje radnog položaja uz primenu kolektivnih sredstava zaštite (npr. sigurnosnih mreža) ili sredstava lične zaštite (npr. sistema za zaustavljanje padova) koja sprečavaju padove sa visine. 3M Zaštita od pada zahteva korišćenje ličnog sistema za zaustavljanje pada, sa ovom opremom.

Slika 1 se odnosi na podesivu omču za održavanje radnog položaja, koje su opisane u ovom uputstvu. Modeli pojaseva su dostupni u različitim kombinacijama sledećih karakteristika:

**Tabela 1 – Specifikacije**

<b>SPECIFIKACIJE KOMPONENTI</b>		
<b>Slika 1 Referenca:</b>		<b>Opis:</b>
<b>Konektor za telo</b>	①	TRIGGER™ Uređaj za podešavanje užeta
	②	AJ514/0
	③	AJ572/0
	④	AJ501/0
<b>Konektor za uže</b>	⑤	AJ523/0
	⑥	20LF
	⑦	AJ565/0
	⑧	AJ595/0
<b>Užad</b>	⑨	Statičko uže - 10,5 mm (0,41 in.)
<b>Dodatne karakteristike</b>	⑩	Zaštitni omotač užeta, otporan na abraziju
<b>Završetak užeta</b>	⑪	Prosti čvor na završetku užeta
<b>Oznake</b>	⑫	Oznake

<b>SISTEMSKE SPECIFIKACIJE</b>	
<b>Performanse:</b>	
LY	Dužina užeta (videti Sliku 1).
Kapacitet:	1 Osoba sa kombinovanom težinom (odeća, alati, itd.) sa ne više od: 140 kg (309 lb.)
Radna temperatura:	Minimum: -35 °C (-31 °F) Maksimum: +57 °C (135 °F)
<b>Materijali:</b>	
Uređaj Komponenta tela:	Nerđajući čelik, legura čelika, legura aluminijuma i guma - 22 kN (2243 kg) zatezna čvrstoća
Karabineri:	Legura čelika, Aluminijum - 22 kN (4 946 lbf) Minimalna Vučne snage
Kuke:	Čelik, nerđajući čelik i pocinkovani ili hromirani čelik - 22 kN (2243 kg) zatezna čvrstoća
Uže:	Najlon - 22 kN (4 946 lbf) Vučne snage
Navlake za užad:	Poliester, Najlon

## 1.0 PRIMENE

- 1.1 NAMENA:** Užad treba koristiti kao komponentu ličnog sistema za zaustavljanje pada (videti Sliku 2). U zavisnosti od vrste, užad smanjuje energiju pri padu, ograničava sile zaustavljanja pada koje se prenose na telo ili se koristi za radno pozicioniranje i zadržavanje. Slika 1 prikazuje modele užadi koji su opisani u ovom priručniku. Ona se mogu koristiti u većini situacija kada je potrebno kombinovati mobilnost radnika i zaštitu od pada (npr. pri obavljanju kontrole, opštih građevinskih radova, održavanja, rada na naftnim bušotinama, rada u zatvorenim prostorima, itd.).
- 1.2 STANDARDI:** Uže je proizvedeno u skladu sa nacionalnim i regionalnim standardom(ima) navedenim na korici ovog uputstva. Za više informacija o ličnim sistemima za zaštitu od pada, pročitajte lokalne zahteve koji regulišu zaštitu na radu. Ako se ovaj proizvod prodaje van prvobitne zemlje odredišta, prodavac mora obezbediti ovo uputstvo na jeziku zemlje u kojoj će se proizvod koristiti.
- 1.3 OBUKA:** Samo osobe koje su završile obuku o pravilnoj upotrebi i nameni ove opreme smeju da je koriste. Odgovornost je korisnika ove opreme da se postara da bude upoznat sa ovim uputstvima i obučen u njenom pravilnom održavanju i upotrebi. Takođe, korisnici moraju poznavati sve operativne karakteristike, ograničenja primene i posledice nepravilne upotrebe ove opreme.
- 1.4 ZAHTEVI:** Uvek imajte u vidu sledeća ograničenja prilikom montiranja ili korišćenja ove opreme:
- **Kapacitet:** Uže je namenjeno za upotrebu od strane osoba kombinovane težine (odeća, alati, itd.), pri čemu treba voditi računa o zahtevima u vezi sa ograničenjima težine koji su navedena na Tabeli 1 za svaki model užeta. Pobrinite se da su sve komponente u sistemu predviđene za kapacitet koji odgovara njihovoj primeni.
  - **Sidrište:** Sidrišta koja se koriste u sistemima za zaustavljanje pada moraju biti takva da podnesu statička opterećenja u pravcu koji dozvoljava ceo sistem, pri čemu je najmanja vrednost:
    - A. 12 kN (2 698 lb) za metalna sidra ili 18 kN (4 047 lb) za tkana ili upletena sidra za sidrišta bez sertifikata, ili
    - B. jednaka dvostrukoj maksimalnoj sili zaustavljanja za sertifikovana sidrišta.Ukoliko vrsta sidra to dozvoljava, u slučajevima kada se za sidrište pričvršćuje više od jednog sistema za zaustavljanje pada, pomenutu snagu navedenu pod (1) i (2) treba pomnožiti sa brojem sistema koji se pričvršćuju za sidrište.
  - **Padovi sa ljuljanjem:** Do padova sa ljuljanjem dolazi kada tačka sidrenja nije neposredno iznad tačke na kojoj dolazi do pada. Sila udaranja u objekat u padu sa ljuljanjem može da izazove ozbiljnu povredu (videti Sliku 3). Svedite na najmanju meru padove sa ljuljanjem tako što ćete raditi što je neposrednije moguće ispod tačke sidrenja. Uvijek postavite i / ili prilagodite traku na takav način da se tačka pričvršćivanja održava na ili iznad nivoa struka; konopac je zategnut; i, slobodno kretanje je ograničeno na maksimalno 0,6 m (1,97 ft).
  - **Opasnosti:** Upotreba ove opreme u oblastima sa opasnostima iz okruženja može zahtevati dodatne mere opreza kako bi se sprečile povrede korisnika ili oštećenje opreme. Opasnosti mogu da obuhvate, ali nisu ograničene na: vrućinu, nagrizajuće hemikalije, korozivna okruženja, strujne vodove visokog napona, eksplozivne ili toksične gasove, pokretnu mehanizaciju ili materijale iznad glava korisnika koji prilikom pada mogu doći u kontakt sa korisnikom ili ličnim sistemom za zaustavljanje pada. Izbegavajte rad u situacijama kada vaše uže može da se ukrsti ili zamrsi sa užetom drugog radnika. Izbegavajte rad ukoliko postoji mogućnost da neki objekat padne i udari u uže jer ćete izgubiti ravnotežu ili će se uže oštetiti. Pazite da se krakovi užeta ne nalaze ispod ruku ili između nogu.

## 2.0 UPOTREBA

- 2.1 PLAN SPASAVANJA I ZAŠTITE OD PADA:** Poslodavac mora imati spreman plan spasavanja i zaštite od pada. Ovaj plan treba da sadrži smernice i zahteve koje će omogućiti poslodavcu da upravlja programom zaštite od pada, uključujući pravila, obaveze i obuku; procedure koje treba slediti za zaštitu od pada; načine eliminisanja i kontrole opasnosti od pada; procedure za spasavanje; istrage nesrećnih slučajeva; i procenjivanje delotvornosti programa.
- 2.2 UČESTALOST KONTROLE:** Radnik treba da pregleda uže<sup>1</sup> pre svake upotrebe. Takođe, pored korisnika, kontrolu sprovodi i kompetentno lice<sup>2</sup>. U ekstremnim radnim uslovima (oštra klima, produžena upotreba, itd.) neophodna je češća kontrola kompetentnog lica. Kompetentno lice donosi odluku o tome koliko često je potrebno sprovesti kontrolu. Postupci kontrole su opisani u „Dnevniku kontrola i održavanja“ (Tabela 2). Rezultati svake kontrole kompetentnog lica treba da se evidentiraju u primercima „Dnevnika kontrola i održavanja“ ili da se prate radio-frekventnim sistemom identifikacije (RFID).
- 2.3 KOMPATIBILNOST KOMPONENATA:** Ukoliko nije drugačije propisano, 3M opremu treba koristiti samo sa komponentama i podsistemima koje je odobrila kompanija 3M. Izmene ili zamene izvršene sa neodobrenim komponentama ili podsistemima mogu ugroziti kompatibilnost opreme i uticati na bezbednost i pouzdanost celog sistema.
- 2.4 KOMPATIBILNOST SPOJNICA:** Smatra se da su spojnice kompatibilne sa elementima za pričvršćivanje kada su dizajnirane tako da rade zajedno na takav način da njihove veličine i oblici ne dovedu do toga da se njihovi mehanizmi zatvaranja nehotično otvore bez obzira na to kako su postale orijentisane. Obratite se kompaniji 3M ako imate bilo kakva pitanja o kompatibilnosti. Spojnice (alke, karabinjeri i D-prstenovi) moraju biti u stanju da podnesu najmanje 22 kN (2267 kg). Spojnice moraju biti kompatibilne sa sidrištem ili drugim komponentama sistema. Nemojte koristiti opremu koja nije kompatibilna. Nekompatibilne spojnice se mogu nenamerno otvoriti (videti Sliku 4). Spojnice moraju biti kompatibilne po veličini, obliku i snazi. Potrebne su samozaključavajuće alke i karabinjeri. Ako je element za pričvršćivanje za koji se kači alka ili karabinjer nedovoljne veličine ili nepravilnog oblika, doći će do situacije kada element za pričvršćivanje primenjuje silu na zatvarač alke ili karabinjera (A). Ova sila može dovesti do otvaranja zatvarača (B), što omogućava da se alka ili karabinjer otkaače od tačke pričvršćivanja (C).

**1 Radnik:** Lice koje je potrebno zaštititi od pada uz pomoć aktivnog sistema za zaštitu od pada; ili u slučaju sistema za zaustavljanje pada; lice koje može pasti dok je pričvršćeno na sistem.

**2 Kompetentno lice:** Lice koje poslodavac odredi i koje je zaduženo za neposredan nadzor, primenu i praćenje programa za zaštitu od pada koji sprovodi poslodavac, i koje je, zahvaljujući svom znanju i obuci, sposobno da prepozna, proceni i reši postojeće i potencijalne opasnosti od pada, i lice koje je poslodavac ovlastio da preduzme brze korektivne mere kako bi se ovakve opasnosti uklonile.

- 2.5 PRIČVRŠČIVANJE:** Sa ovom opremom smete koristiti isključivo samozaključavajuće alke i karabinjere. Pobrinite se da sve kopče budu kompatibilne po veličini, obliku i snazi. Nemojte koristiti opremu koja nije kompatibilna. Pobrinite se da sve spojnice budu potpuno zatvorene i zaključane. 3M spojnice (alke i karabinjeri) su osmišljene tako da se koriste samo na način naveden u uputstvima za korisnika za svaki proizvod. Videti Sliku 4 za primere neodgovarajućih pričvršćivanja. Nemojte pričvršćivati alke i karabinjere:
- A. Na D-prsten na koji je pričvršćena neka druga spojnica.
  - B. Na način koji bi doveo do opterećenja na zatvarač. Alke sa velikim otvorom ne treba pričvršćivati na D-prstenove standardne veličine ili slične objekte jer to stvara opterećenje na zatvarač u slučaju uvrtanja ili rotacije alke ili D-prstena, osim ukoliko alka nije opremljena zatvaračem od 16 kN (1632 kg).
  - C. U pogrešnom spoju, kada veličina ili oblik spojnice koje se pričvršćuju jedna za drugu nisu kompatibilni, i kada nema vizuelne potvrde, spojnice izgledaju kao da su u potpunosti pričvršćene.
  - D. Jedno za drugo.
  - E. Direktno za tkano ili upleteno užje ili opremu za pričvršćivanje (osim ukoliko uputstva proizvođača i za užje i za spojnicu ne dozvoljavaju takvo pričvršćivanje).
  - F. Za bilo koji objekat takvog oblika ili dimenzija koji ne dozvoljava da se alka ili karabinjer zatvore i zaključaju ili zbog kog bi moglo doći do isklizavanja.
  - G. Na način koji ne dozvoljava da se spojnica pravilno postavi dok je pod opterećenjem.

### 3.0 POSTAVLJANJE I PODEŠAVANJE

- 3.1 PLANIRANJE:** Pre nego što počnete sa radom, isplanirajte sistem za zaštitu od pada. Uzmite u obzir sve faktore koji mogu uticati na vašu bezbednost pre, u toku i nakon pada. Razmotrite sve zahteve i ograničenja definisana u Odeljku 1.
- 3.2 SIDRIŠTE:** Kao mesto sidrišta izaberite ono gde postoje najmanje opasnosti za pad sa ljuľljanjem (videti Odeljak 1). Izaberite čvrstu tačku sidrenja koja može da podnese statička opterećenja definisana u Odeljku 1.
- 3.3 PRIČVRŠČIVANJE ZA ODRŽAVANJE POZICIJE TELA:** Podesivo užje za zadržavanje / užje za radno pozicioniranje se mora koristiti sa pojasom za celo telo ili kaišem za telo. Za primene zadržavanja, pričvrstite užje na odgovarajući element za pričvršćivanje (D-prsten) na pojasu ili kaišu. Pročitajte uputstva priložena uz pojas ili kaiš za ostale namene zaštite od pada i preporuke u vezi sa pričvršćivanjem.
- 3.4 SPOJITE SA OMČOM ZA ODRŽAVANJE RADNOG POLOŽAJA** Prilikom spajanja, obezbedite da ne dođe do isklizavanja (videti Odeljak 2.5 „Spojevi“). Do isklizavanja dolazi kada postoje smetnje između kuke i povezanog konektora što dovodi do toga da se zatvarač kuke nenamerno otvori i otpusti.
- KORAK 1:** Spojite konektor za fiksiranje užeta za podršku (videti Sliku 1) sa levom ili desnom stranom D-prstena koji je lociran na rukovaočevom pojasu za telo ili telesnom opasaču.
- KORAK 2:** Postavite omču oko bezbednog sidrišta koje može da izdrži opterećenja od 12 kN (2 698 lb) ili više. Uverite se da je omča osigurana, tako da ne može da sklizne nadole ili mimo tačke sidrenja.
- KORAK 3:** Spojite konektor sa omčom za telo (videti Sliku 1) sa suprotnom stranom D-prstena. Kada je spojena, poluga karabiner kuke ili otvor karabinera moraju biti orijentisani na stranu suprotno od korisnika.
- KORAK 4:** Da skratite užje, povucite kraj direktno prema tački sidrenja (Slika 6).
- KORAK 5:** Dozvolite užetu da prolazi kroz podešavač dok se naginjete unazad. Otpustite podešavač kada se nađe u željenoj poziciji (Slika 7).
- KORAK 6:** Proverite sigurnost sidrenja, ispravnost spojeva i podešenost užeta:
- Adekvatna čvrstoća sidrišta.
  - Poluga karabinera i karabiner su pravilno spojeni sa telesnim opasačem ili pojasom za telo.
  - Omča ne može da sklizne nadole ili mimo tačke sidrenja.
  - Omča je ispravno zategnuta.

Nemojte koristiti polugu karabinera ili karabiner da biste pričvrstili leđa za užje. Oba konektora moraju biti spojena sa odgovarajućom stranom D-prstenova. Nikada nemojte koristiti podesivu omču za održavanje radnog položaja sa samo jednim konektorom spojenim sa telesnim opasačem.

### 4.0 RUKOVANJE

Pre upotrebe, osobe koje po prvi put ili retko koriste užad (u daljem tekstu „užad“ ili „uže“), treba da počitaju „Bezbednosne informacije“ na početku priručnika.

- 4.1 KONTROLA RADNIKA:** Pre svakog korišćenja, pregledajte užje prema kontrolnoj listi iz „Dnevnika kontrole i održavanja“ (Tabela 2). Ako pregled otkrije da užje nije bezbedno ili da je oštećeno ili da je bilo izloženo silama zaustavljanja pada, mora se odmah ukloniti iz upotrebe i uništiti.
- 4.2 RUKOVANJE:** Uvek prvo pričvrstite kraj užeta za održavanje pozicije tela na pojas za celo telo ili kaiš za telo, a potom pričvrstite kraj kraka na odgovarajuće sidrište. Uvek se trudite da užje bude što zategnutije u uslovima kada postoji opasnost od pada tako što ćete raditi što je neposrednije moguće ispod tačke sidrenja. Videti Odeljak 3 za pojedinosti u vezi sa pričvršćivanjem užeta za održavanje pozicije tela i sidrišta. Redovno proveravati elemente za pričvršćivanje i / ili podešavanje tokom upotrebe.
- 4.3 NAKON PADA:** Užje koje je bilo izloženo silama zaustavljanja pada ili ima oštećenja koja nastaju kao posledica izloženosti silama zaustavljanja pada kao što je opisano u „Dnevniku kontrole i održavanja“ (Tabela 2) mora se odmah ukloniti iz upotrebe i uništiti.

## 5.0 KONTROLA

**5.1 UČESTALOST KONTROLE:** Uže se mora kontrolisati u intervalima definisanim u Odeljku 2. Postupci kontrole su opisani u „Dnevniku kontrola i održavanja“ (Tabela 2).

Ekstremni radni uslovi (oštra klima, produžena upotreba, itd.) mogu zahtevati veću učestalost kontrole.

**5.2 NEDOVOLJNA BEZBEDNOST ILI OŠTEĆENOST:** Ako pregled otkrije da uže nije bezbedno ili da je oštećeno, uklonite ga odmah iz upotrebe i uništite da ga drugo lice ne bi slučajno upotrebilo. Ne smete popravljati užad.

**5.3 RADNI VEK PROIZVODA:** Funkcionalni vek užeta kompanije 3M zavisi od radnih uslova i održavanja. Maksimalan radni vek varira od jedne godine za česte upotrebe u ekstremnim uslovima, do deset godina ukoliko se povremeno koristi pod normalnim okolnostima. Sve dok proizvod zadovoljava kriterijume kontrole može se koristiti, ali ne duže od deset godina.

## 6.0 ODRŽAVANJE, SERVISIRANJE I ČUVANJE

Prilikom čišćenja ili dezinfikovanja užadi koristite isključivo metode opisane u „Uputstvu za čišćenje“. Druge metode čišćenja mogu imati štetan uticaj na uže ili korisnika.

**6.1 ČIŠĆENJE:** Pratite sledeće korake kada čistite uže:

- Redovno čistite spoljašnji deo užeta vodom u koju ste prethodno rastvorili malo sapuna. Temperatura vode ne sme biti veća od 40 °C. Uže postavite tako da se iscedi višak vode. Nije dozvoljeno hemijsko čišćenje. Nemojte peglati. Oznake čistite prema uputstvu.
- Isperite i ostavite da se prirodno osuši. Nemojte ubrzavati proces sušenja toplotnim uređajima.

Nemojte koristiti izbeljivač za čišćenje užeta. **NE PREPORUČUJE SE upotreba fabričkih omekšivača i mirisa za čišćenje i sušenje užeta**

**6.2 SERVISIRANJE:** Ne smete popravljati užad. Ako je uže oštećeno ili je bilo izloženo silama zaustavljanja pada, ili ako pregled otkrije da nije bezbedno ili da je oštećeno, mora se ukloniti iz upotrebe i uništiti.

**6.3 ČUVANJE/TRANSPORTOVANJE:** Užad čuvajte i transportujte na hladnom, suvom i čistom mestu van direktne sunčeve svetlosti. Izbegavajte prostore u kojima mogu postojati hemijska isparenja. Detaljno pregledajte uže ako nije korišćeno duže vreme.

## 7.0 OZNAKE

Slika 8 ilustruje oznake na užetu i mesta na kojima se one nalaze. Na užetu moraju biti prisutne sve oznake - videti Sliku 1. Informacije navedene na svakoj oznaci su sledeće:

Videti Sliku 8:	Opis:
①	Broj modela
②	Serijski broj
③	Broj šarže
④	Adresa proizvođača
⑤	Videti uputstva
⑥	Evropski standard
⑦	CE oznaka
⑧	Broj nadležnog tela koje obavlja kontrolu usklađenosti.
⑨	Dužina
⑩	Mesec proizvodnje
⑪	Godina proizvodnje
⑫	Web adresa proizvođača
⑬	Promjer konopa
⑭	Nosivost



## SÄKERHETSINFORMATION

Läs igenom, se till att du förstår och följ all säkerhetsinformation i denna bruksanvisning innan du använder denna

**rörelsebegränsnings- och positioneringslina. OM DETTA INTE GÖRS KAN DET LEDA TILL ALLVARLIGA SKADOR ELLER DÖDSFALL.**

Dessa anvisningar måste tillhandahållas för den som ska använda denna utrustning. Spara dessa instruktioner för framtida referens.

### Avsedd användning:

Denna rörelsebegränsnings- och positioneringslina är avsedd att användas som en del av ett komplett personligt fallskyddssystem. Rörelsebegränsnings- och positioneringslinor används för att hindra användaren från att sträcka sig för långt eller utsättas för en fallrisk.

Användning för andra syften, inklusive materialhantering, fritids- och idrottsaktiviteter samt andra aktiviteter som inte beskrivs i bruksanvisningen, godkänns inte av 3M och kan resultera i allvarlig skada eller dödsfall.

Denna enhet ska endast användas av utbildade användare för professionellt bruk.

### VARNING

Rörelsebegränsnings- och positioneringslinan är en del av ett personligt fallskyddssystem. Alla användare förväntas vara fullständigt utbildade i säker installation och användning av sina personliga fallskyddssystem. **Felaktig användning av utrustningen kan leda till allvarlig personskada eller dödsfall.** För korrekt val, användning, installation, underhåll och service hänvisas till denna bruksanvisning och alla rekommendationer från tillverkaren, kontakta din arbetsledare eller 3M:s tekniska kundtjänst.

- **För att minska riskerna i samband med användning av en rörelsebegränsnings- och positioneringslina som, om de inte undviks, kan leda till allvarliga personskador eller dödsfall:**
  - Använd endast denna utrustning i tillämpningar för arbetspositionering eller rörelsebegränsning. Positioneringslinor måste ställas in så att det fria fallavståndet begränsas till högst två fot och minsta möjliga pendelfall. Rörelsebegränsningslinor skall hindra användaren från att sträcka sig för långt eller utsättas för fallrisker.
  - Använd aldrig denna kopplingslina (dvs. en icke energiabsorberande kopplingslina) för primärt fallstopp.
  - Kontrollera enheten före varje användning, minst en gång per år och efter varje fallhändelse. Utför kontrollen enligt bruksanvisningen.
  - Om osäkert eller defekt tillstånd upptäcks vid kontroll ska utrustningen omedelbart tas ur bruk och kasseras.
  - Varje enhet som har utsatts för fallstopp eller fallkraft måste omedelbart tas ur bruk. Se bruksanvisningarna eller kontakta 3M Fall Protection.
  - Säkerställ att kopplade delsystem (t.ex. kopplingslinor) inte medför risker inklusive men utan begränsning till intrassling av andra personer, dig själv, rörliga maskindelar eller andra omgivande föremål.
  - Se till att lämpliga kantskydd används om livlinan kan komma i kontakt med skarpa kanter eller hörn.
  - Se till att utrustningen anordnas på ett lämpligt sätt för ändamålet.
  - Fäst kopplingslinans oanvända ben i selens förvaringsfäste, om sådant finns.
  - Slå inga knutar eller knopar på kopplingslinan.
  - Överskrid inte tillåtet antal användare.
  - Se till att fallskyddssystem och delsystem som är monterade med komponenter från olika tillverkare är kompatibla och uppfyller kraven i tillämpliga standarder, inklusive ANSI Z359 eller andra tillämpliga regler, standarder eller krav på fallskydd. Anlita alltid en kompetent eller kvalificerad person före användning av dessa system.
- **För att minska risker för allvarlig skada eller dödsfall vid arbete på höga höjder:**
  - Se till att din hälsa och fysiska kondition medger att du säkert kan motstå alla krafter i samband med arbete på hög höjd. Rådgör med läkare om du har frågor kring din förmåga att använda den här utrustningen.
  - Överskrid aldrig din fallskyddsutrustnings godkända kapacitet.
  - Överskrid aldrig din fallskyddsutrustnings maximala avstånd för fritt fall.
  - Använd aldrig fallskyddsutrustning som inte godkänts vid inspektion före användning eller andra schemalagda inspektioner, eller om du är osäker på huruvida utrustningen kan användas eller lämpar sig för ditt tillämpningsområde. Vänd dig till 3M:s tekniska kundtjänst med eventuella frågor.
  - Vissa kombinationer av undersystem och komponenter kan störa utrustningens funktionsduglighet. Använd endast kompatibla kopplingar. Rådfråga 3M innan du använder denna utrustning i kombination med andra komponenter eller undersystem än de som beskrivs i bruksanvisningen.
  - Var extra försiktig vid arbete i närheten av rörligt maskineri (t.ex. toppspindel på oljerigg), elfara, extrema temperaturer, kemiska faror, explosiva eller giftiga gaser, skarpa kanter eller under ovanliggande material som kan falla ner på dig eller din fallskyddsutrustning.
  - Använd Arc Flash- eller Hot Works-enheter vid arbete i miljöer med höga temperaturer.
  - Undvik ytor och föremål som kan skada användare eller utrustning.
  - Se till att det finns tillräcklig fallmarginal vid arbete på höga höjder.
  - Du skall aldrig modifiera eller ändra din fallskyddsutrustning. Endast 3M eller av 3M skriftligen auktoriserade parter får utföra reparationer på utrustningen.
  - Innan du använder fallskyddsutrustning skall du kontrollera att det finns en räddningsplan som medger snabb räddning vid eventuellt fall.
  - Vid fall bör arbetaren som fallit få omedelbar läkarvård.
  - Ett kroppsbalte får ej användas för fallstoppstillämpningar. Använd endast helkroppsselar.
  - Minimera risken för pendelfall genom att arbeta med förankringspunkten så rakt ovanför dig som möjligt.
  - Vid utbildning i användning av den här enheten måste ett andra fallskyddssystem användas för att inte utsätta personen som utbildas för en oavsiktlig fallrisk.
  - Använd alltid lämplig personlig skyddsutrustning vid installation, användning eller inspektion av enheten/systemet.

Anteckna före användning av utrustningen, produktens identitetsuppgifter (se Figur 8) i "Besiktning- och underhållslogg" Tabell 2 på baksidan av denna handbok.

Säkerställ alltid att du använder den senaste versionen av 3M-bruksanvisningen. Gå till 3M:s webbplats eller kontakta 3M:s tekniska support för information om aktuella bruksanvisningar.

## BESKRIVNING

3M™ Protecta® TRIGGER™ Justerbar kopplingslina är avsedd för användning i ett personligt arbetspositioneringssystem. I arbetspositioneringssystem ingår vanligen en helkroppssele eller ett kroppsbälte, positioneringslina och ett individuellt reservfallstoppsystem. Genom justeringssystemet kan kopplingslinans längd justeras under användning. Denna utrustning är inte lämplig för fallskyddsändamål och arrangemang för arbetspositionering måste kompletteras med gemensamma funktioner som säkerhetsnät eller personliga funktioner som fallskyddssystem för skydd mot fall från arbete på hög höjd.

Figur 1 visar för vilka justerbara kopplingslinor för arbetspositionering denna instruktion gäller. Olika modeller finns med olika kombinationer av följande funktioner:

**Tabell 1 – Specifikationer**

<b>KOMPONENTSPECIFIKATIONER</b>		
<b>Figur 1 referens:</b>		<b>Beskrivning:</b>
<b>Kroppskoppling</b>	①	TRIGGER™ linjusteringsanordning
	②	AJ514/0
	③	AJ572/0
	④	AJ501/0
<b>Linstödskoppling</b>	⑤	AJ523/0
	⑥	20LF
	⑦	AJ565/0
	⑧	AJ595/0
<b>Linor</b>	⑨	Statiskt rep – 10,5 mm (0,41 in.)
<b>Ytterligare funktioner</b>	⑩	Nötningsskyddande linhylsa
<b>Repände</b>	⑪	Enkel knut i repets ände
<b>Etiketter</b>	⑫	Etiketter

## **SYSTEMSPECIFIKATIONER:**

### **Prestanda:**

LY	Kopplingslinans längd (se Figur 1).
Kapacitet:	1 person med totalt vikt (inklusive klädsel, verktyg osv.) högst: 140 kg (309 pund)
Användningstemperatur	Lägst: -35 °C (-31 °F) Högst: +57 °C (135 °F)

### **Material:**

Anordningens stomme:	Rostfritt stål, legerat stål, aluminiumlegering och gummi – 22 kN (4 946 pund) draghållfasthet
Karbinkrok:	Stållegering, Aluminium - 22 kN (4 946 lbf) Lägst Draghållfasthet
Hakar:	Stål, rostfritt stål och förzinkade eller kromaterade – 22 kN (4 946 pund) draghållfasthet
Rep:	Nylon - 22 kN (4 946 lbf) Draghållfasthet
Täckskydd:	Polyester, Nylon

## 1.0 TILLÄMPNINGAR

- 1.1 SYFTE:** Kopplingslinor är avsedda att användas som komponenter i personliga fallskyddssystem (se figur 2). Beroende på typ kan de avleda fallenergi, begränsa överföring av fallkrafter till användaren eller användas för arbetspositionering och fallhinder. I Figur 1 visas för vilka kopplingslinor denna bruksanvisning gäller. De kan användas i de flesta situationer där både arbetsrörlighet och fallskydd krävs (dvs. besiktningsarbete, allmänt byggarbete, underhållsarbete, oljeproduktion, arbete i trånga utrymmen osv.).
- 1.2 STANDARDS:** Kopplingslinan överensstämmer med de nationella standarder som återges på framsidan av dessa instruktioner. Ytterligare information om personliga fallskyddssystem finns i lokala och nationella bestämmelser om arbets säkerhet. Om denna produkt återförsäljs utanför det ursprungliga mottagarlandet, måste återförsäljaren tillhandahålla denna bruksanvisning på språket i det land där produkten kommer att användas.
- 1.3 UTBILDNING:** Denna utrustning är avsedd att installeras och användas av personer som är utbildade i korrekt tillämpning och användning av den. Det är användarens ansvar att vara insatt i dessa instruktioner, och att ha korrekt utbildning i skötsel och användning av denna utrustning. Användaren måste också vara medveten om funktionsegenskaper, tillämpningsbegränsningar och följderna av felaktig användning av denna utrustning.
- 1.4 KRAV:** Dessa begränsningar skall alltid observeras när utrustningen installeras eller används.
- **Kapacitet:** Kopplingslinor är avsedda att användas av en person med en totalvikt (inkl. klädsel, verktyg osv.) enligt angivet Viktintervall i Tabell 1 för kopplingslinans modell. Se till att alla komponenter i systemet är märkta för den kapacitet som krävs för tillämpningen.
  - **Förankring:** De förankringar som väljs för fallskyddssystemet skall kunna bära statiska laster som anbringas i riktningar som möjliggörs av hela systemet, om minst:
    - A. 12 kN (2 698 lb) för metallankare eller 18 kN (4 047 lb) för textilankare för icke godkända förankringar, eller
    - B. Två gånger den maximala fallstoppkraften för godkända förankringar.Om det medges med hänsyn till förankringstyp: Om mer än ett fallstoppssystem är kopplat i en förankring, skall kapaciteten i (1) och (2) ovan multipliceras med det antal system som är kopplade i förankringen.
  - **Pendelfall:** Pendelfall inträffar när förankringspunkten inte befinner sig rakt ovanför användaren. Kraften av en träff mot ett föremål vid ett pendelfall kan orsaka allvarliga personskador (se figur 3). Minimera risken för pendelfall genom att arbeta med förankringspunkten så rakt ovanför dig som möjligt. Placera alltid och / eller justera nyckelbandet på sådant sätt att förankringspunkten hålls vid eller över midjenivå. Snodden hålls spänd och fri rörlighet begränsas till högst 0,6 m (1,97 ft).
  - **Risker:** Ytterligare försiktighetsåtgärder för att skydda användare och utrustning kan krävas vid användning av denna utrustning på platser där omgivande risker finns. Riskerna kan vara exempelvis hög värme, frätande kemikalier, korrosiva miljöer, högspänningsledning, explosiva eller giftiga gaser, maskiner i rörelse eller material på högre höjd som kan falla ned och träffa användare eller fallskyddssystem. Undvik arbete där kopplingslinan kan korsa eller strassas in i en annan arbetares livlina. Undvik att arbeta där ett föremål kan falla och träffa kopplingslinan, du kan tappa balansen och livlinan skadas. Låt inte kopplingslinan löpa under armarna eller mellan benen.

## 2.0 ANVÄNDNING

- 2.1 FALLSKYDD- OCH RÄDDNINGSPLAN:** Arbetsgivaren måste ha upprättat en fallskydds- och räddningsplan. Planen ska innehålla riktlinjer och krav för en arbetsgivares fallskyddsprogram, inklusive policy, skyldigheter och utbildning, fallskyddsprocedurer, eliminering och förebyggande åtgärder för fallrisker, räddningsprocedurer, olycksutredningar och utvärdering av programmets effektivitet.
- 2.2 BESIKTNINGSINTERVALL:** Kopplingslinor skall besiktas av användaren<sup>1</sup> före varje användning. Besiktning ska dessutom utföras av en kompetent person,<sup>2</sup> annan än användaren. Mycket svåra arbetsförhållanden (krävande miljö, lång tids användning osv.) kan kräva tätare besiktningar av kompetent person. Den kompetenta personen ska fastställa lämpliga besiktningsintervall. Besiktningsprocedurerna beskrivs i "Besiktnings- och underhållslogg" (Tabell 2). Resultat av en besiktning av kompetent person ska dokumenteras i "Besiktnings- och underhållslogg" eller registreras med RFID-systemet.
- 2.3 KOMPONENTERS KOMPATIBILITET:** Utrustning från 3M är, om inget annat anges, endast avsedd för komponenter och undersystem som har godkänts av 3M. Byte till icke godkända komponenter eller undersystem kan äventyra utrustningens kompatibilitet och även påverka hela systemets säkerhet och tillförlitlighet.
- 2.4 KOPPLINGARS KOMPATIBILITET:** Kopplingar anses vara kompatibla med anslutningselement när de är avsedda att fungera tillsammans på ett sådant sätt att deras storlek och former inte orsakar att deras öppningsmekanismer öppnar sig av misstag, oavsett hur de än vrids och vänds. Kontakta 3M om du har frågor om kompatibilitet. Kopplingsdon (krokar, karbinkrokar och D-ringar) måste ha kapacitet för minst 22,2 kN (5 000 lb). Kopplingar måste vara kompatibla med förankringar eller andra systemkomponenter. Använd inte utrustning som inte är kompatibel. Icke-kompatibla kopplingar kan lossna av misstag (se Figur 4). Kopplingar måste vara kompatibla i storlek, form och styrka. Självlåsand automatkrokar och karbinhakar krävs. Ett kopplingselement med felaktig dimension eller form, som en automatkrok eller karbinkrok kopplas till, kan anbringa en kraft på automatkrokens eller karbinkrokens (A) öppningsmekanism. Denna kraft kan leda till att öppningsmekanismen öppnas (B), vilket medför att automatkroken eller karbinhaken kan lossna från kopplingspunkten (C).
- 2.6 GÖRA ANSLUTNINGAR:** Automatkrokar och karbinhakar som används med denna utrustning skall vara självlåsand. Kontrollera att alla anslutningar är kompatibla i storlek, form och styrka. Använd inte utrustning som inte är kompatibel. Kontrollera att alla kopplingar är helt stängda och låsta. 3M:s kopplingar (automatkrokar och karbinkrokar) är endast avsedda att användas enligt tillhörande bruksanvisningar. Se Figur 5 med exempel på olämpliga kopplingar. Koppla inte ihop inte automatkrokar och karbinkrokar:

**1 Användare:** Varje person som skyddas mot fall av ett aktivt fallskyddssystem, eller i fall med ett fallstoppande system, en person som är fäst i systemet och skulle kunna falla.

**2 Kompetent person:** En person som utsetts av arbetsgivaren att ansvara för tillsyn, implementering och övervakning av arbetsgivarens fallskyddsprogram och som, genom utbildning och kunskap, kan identifiera, utvärdera och hantera befintliga och potentiella fallrisker, och som av arbetsgivaren givits befogenhet att omedelbart vidta korrigerande åtgärder med avseende på sådana risker.



- A. Till en D-ring där annan koppling är fäst.
- B. På ett sätt som kan orsaka att öppningsmekanismen belastas. En automatkrok med stor öppning får inte kopplas till en D-ring i standardstorlek eller liknande om det kan innebära att krokens öppningsmekanism belastas om kroken eller D-ringen vrids eller roterar, såvida inte automatkroken är utrustad med en öppningsmekanism med 16 kN (3 600 lb) kapacitet.
- C. I en falsk koppling, där kopplingars storlek eller form inte är kompatibla och kopplingarna, utan visuell kontroll, förefaller korrekt kopplade.
- D. Till varandra.
- E. Direkt till vävband, kopplingslinor eller omtagslinor (såvida inte tillverkarens instruktioner för både kopplingslinan och kopplingen specifikt tillåter sådan anslutning).
- F. Till ett föremål som är utformat eller har sådan storlek att automatkroken eller karbinkroken inte stängs, eller om det finns risk för utrullning.
- G. På ett sätt som inte tillåter kopplingen att vara korrekt riktad vid belastning.

### 3.0 INSTALLATION OCH JUSTERING

- 3.1 PLANERING:** Planera ditt fallskyddssystem innan arbetet påbörjas. Ta hänsyn till alla faktorer som kan påverka säkerheten före, under och efter ett fall. Ta hänsyn till alla krav och begränsningar som är angivna i avsnitt 1.
- 3.2 FÖRANKRING:** Välj en förankringsplats med minimala risker för fritt fall och pendelfall (se Avsnitt 1). Välj en stabil förankringspunkt som klarar de statiska belastningarna enligt Avsnitt 1.
- 3.3 KOPPLING FÖR STÖDTRUSTNING:** Begränsning/positioneringslina skall användas tillsammans med helkroppssele eller kroppsbälte. I begränsningstillämpningar kopplas kopplingslinan till lämpligt infästningselement (D-ring) på selen eller kroppsbältet. Se bruksanvisningar som medföljer selen eller bältet angående andra fallskyddstillämpningar och rekommenderade kopplingar.
- 3.4 KOPPLA TILL ARBETSPOSITIONERINGSLINAN:** Se till att utrullning inte kan ske vid koppling. (Se Avsnitt 2.5 "Kopplingar.") Utrullning uppstår när störningar mellan haken och sammankopplingen leder till att haken oavsiktligt öppnas och släpper.
- STEG 1:** Koppla den låsande linstödkopplingen (se Figur 1) till D-ringen på vänster eller höger sida på användarens kroppsbälte eller helkroppssele.
- STEG 2:** Placera kopplingslinan omkring en säker förankring som bär en last på minst 12 kN (2 698 lb). Kontrollera att kopplingslinan är fäst så att den inte kan glida av eller förbi förankringspunkten.
- STEG 3:** Koppla linans kroppskoppling (se Figur 1) till D-ringen på motsatt sida. Efter koppling skall automatkrokens eller karbinkrokens öppningsmekanism vara vänd utåt, bort från användaren.
- STEG 4:** Linan kan förkortas genom att tampen dras direkt mot förankringspunkten. (Figur 6)
- STEG 5:** Låt linan löpa genom spännet medan du lutar dig bakåt. Släpp spännet vid önskad position. (Figur 7)
- STEG 6:** Bekräfta säker förankring, lämpliga kopplingar och linjustering:
- Tillräcklig förankringsstyrka.
  - Automatkrok och karbinkrok lämpligt kopplade till helkroppssele eller kroppsbälte.
  - Kopplingslinan kan inte glida av eller förbi förankringspunkten.
  - Kopplingslinan har korrekt sträckning.

*Automatkroken eller karbinkroken får inte användas för koppling i linan. Båda kopplingarna skall vara fästa i respektive D-ring på lämplig sida. Justerbar kopplingslina för arbetspositionering får inte användas med endast en koppling till helkroppsselen.*

### 4.0 HANDHAVANDE

*Personer som sällan eller för första gången använder kopplingslinor skall först läsa igenom säkerhetsinformationen i början av denna manual.*

- 4.1 BESIKTNING AV ANVÄNDAREN:** Besikta före varje användning den kopplingslinan enligt checklista i avsnittet *Besiktning- och underhållslogg (Tabell 2)*. Om kopplingslinan vid besiktning visar tecken på osäkra förhållanden, eller att den kan ha utsatts för skador eller fallstoppkraft, ska den omgående tas ur bruk och kasseras.
- 4.2 HANDHAVANDE:** Koppla alltid kopplingslinans stödutrustningsände till helkroppsselen eller kroppsbältet först och koppla sedan den andra änden till lämplig förankring. Se till att kopplingslinan är så sträckt som möjligt intill en fallrisk genom att arbeta så nära förankringen som möjligt. Se avsnitt 3 angående stödutrustning och förankringskoppling. Kontrollera regelbundet fäst- och / eller justeringselement vid användning.
- 4.3 OM ETT FALL HAR INTRÄFFAT:** All utrustning som har utsatts för fallstoppkrafter eller visar tecken på skador likvärdiga med påverkan av fallstoppkrafter enligt beskrivningen i *Besiktning- och underhållslogg (Tabell 2)*, ska omedelbart tas ur bruk och kasseras.

### 5.0 BESIKTNING

- 5.1 BESIKTNINGSPROCEDURERNA:** Den kopplingslinan skall besiktas med de intervall som anges i Avsnitt 2. Besiktningsskeden beskrivs i *"Besiktning- och underhållslogg" (Tabell 2)*.

*Tätare besiktningintervall kan krävas vid mycket svåra arbetsförhållanden (krävande miljö, lång tids användning osv.).*

**5.2 OSÄKRA ELLER DEFEKTA TILLSTÅND:** Om inspektionen visar ett osäkert eller defekt tillstånd, skall kopplingslinan omgående tas ur bruk och kasseras för att förhindra oavsiktlig användning. Kopplingslinor kan inte repareras.

**5.3 PRODUKTENS LIVSLÄNGD:** Livslängden för 3M kopplingslinor beror på arbetsförhållanden och underhåll. Den maximala livslängden kan sträcka sig från ett års intensiv användning i extrema förhållanden och upp till 10 år för lättare användning i milda förhållanden. Så länge produkten uppfyller besiktningsskraven kan den användas i upp till 10 år.

## 6.0 UNDERHÅLL, SERVICE OCH FÖRVARING

*Rengör eller desinfektera inte kopplingslinor med någon annan metod än den som beskrivs i "Rengöringsinstruktioner" nedan. Andra metoder kan påverka kopplingslinan eller användaren negativt.*

**6.1 RENGÖRING:** Rengöringsprocedur för kopplingslina:

- Rengör regelbundet kopplingslinans yta med vatten och mild tvållösning. Vattentemperaturen får inte överstiga 40 °C (104 °F). Placera kopplingslinan så att vattnet kan rinna av. Får inte kemtvättas. Får inte strykas. Rengör etiketterna efter behov.
- Skölj och låt den lufttorka helt. Snabbtorka inte genom uppvärmning.

*Använd rengöringsmedel utan blekmedel för rengöring av kopplingslinor. Mjukgörande medel eller torkmedel får inte användas vid rengöring och torkning av kopplingslinor*

**6.2 SERVICE:** Kopplingslinor kan inte repareras. En kopplingslina som har utsatts för fallstoppkraft eller som vid besiktning visat tecken på osäkert eller defekt tillstånd ska tas ur bruk och kasseras.

**6.3 FÖRVARING/TRANSPORT:** Förvara och transportera kopplingslinor i sval, torr och ren miljö, skyddade från direkt solljus. Undvik platser där det kan finnas kemiska ångor. Kontrollera kopplingslinan grundligt efter längre förvaringstid.

## 7.0 ETIKETTER

Figur 8 visar vilka etiketter som finns på den kopplingslinan och var de är placerade. Alla etiketter måste sitta på plats på kopplingslinan - se Figur 1.

Information på varje etikett:

Se figur 8:	Beskrivning:
①	Modellnummer
②	Serienummer
③	Batchnummer
④	Tillverkarens adress
⑤	Se anvisningarna
⑥	Europeisk standard
⑦	CE-märkning
⑧	Nummer till anmält organ som utför typkontroll.
⑨	Längd
⑩	Tillverkningsmånad
⑪	Tillverkningsår
⑫	Tillverkarens webbadress
⑬	Repdiameter
⑭	Kapacitet



## GÜVENLİK BİLGİLERİ

**Bu Çalışma Konumlandırma/Hareket Kısıtlama Halatını kullanmadan önce bu talimatlardaki tüm güvenlik bilgilerini okuyun, anlayın ve izleyin. BUNUN YAPILMAMASI AĞIR YARALANMAYA VEYA ÖLÜME YOL AÇABİLİR.**

**Bu talimatlar, bu ekipmanın kullanıcılarına verilmelidir. Bu talimatları ileride kullanmak üzere saklayın.**

### Kullanım Amacı:

Bu Çalışma Konumlandırma/Hareket Kısıtlama Halatı tam kişisel düşme koruma sisteminin bir parçası olarak kullanılmak üzere tasarlanmıştır. Çalışma Konumlandırma/Hareket Kısıtlama halatları kullanıcının ileriye uzanmasını veya düşme tehlikesine maruz kalmasını önlemek için kullanılır.

Bir sınırlama olmaksızın malzeme taşıma, eğlence veya spor ile ilgili faaliyetler veya Kullanıcı Talimatlarında açıklanmamış diğer faaliyetler dâhil olmak üzere başka bir uygulamada kullanılması 3M tarafından onaylanmamaktadır ve ağır yaralanmaya veya ölüme yol açabilir.

Bu cihaz yalnızca iş yeri uygulamalarında eğitim almış kullanıcılar tarafından kullanıma yöneliktir.

### UYARI

Bu Çalışma Konumlandırma/Hareket Kısıtlama Halatı kişisel düşme koruma sisteminin bir parçasıdır. Tüm kullanıcıların kendi kişisel düşmeye karşı koruma sistemlerinin güvenli şekilde takılması ve kullanılması konusunda tam olarak eğitim almış olmaları beklenir. **Ürün sınırlamalarına uyulmaması ağır yaralanmaya veya ölüme yol açabilir.** Doğru şekilde seçmek, çalıştırmak, takmak ve bakımını ve servisini yapmak için bu Kullanıcı Talimatlarına ve tüm üretici tavsiyelerine bakın, amirimize sorun veya 3M Teknik Servislerine danışın.

- **Sakınılmadığı takdirde ağır yaralanmaya veya ölüme yol açabilecek olan bir Çalışma Konumlandırma/Hareket Kısıtlama Halatı ile çalışmanın risklerini azaltmak için:**
  - Bu cihazı yalnızca çalışma konumlandırma veya hareket kısıtlama uygulamaları için kullanın. Çalışma Konumlandırma Halatları serbest düşme mesafesini iki fit veya altına sınırlandıracak ve dönerek düşmeyi en aza indirecek şekilde yapılandırılmalıdır. Hareket Kısıtlama Halatları kullanıcının ileriye uzanmasını veya düşme tehlikesine maruz kalmasını önlemelidir.
  - Bu halatı (yani enerji absorbe etmeyen bir halatı) kesinlikle bir birincil düşme önleme cihazı olarak kullanmayın.
  - Her bir kullanımdan önce, yılda en az bir kez ve bir düşme vakasından sonra cihazı kontrol edin. Kullanım Talimatlarına uygun şekilde kontrol edin.
  - Muayene sonucunda güvenli olmayan veya kusurlu bir koşul ortaya çıkarsa cihazı hizmetten çıkarın ve imha edin.
  - Herhangi bir düşme engelleme işlemi yapan veya darbe kuvvetine maruz kalan cihaz, hemen hizmet dışına çıkarılmalıdır. Kullanıcı Talimatlarına başvurun veya 3M Fall Protection ile iletişime geçin.
  - Tüm bağlı alt sistemlerin (ör. çengelli halat) diğer işçilere, kendinize, hareket eden makinelere veya etraftaki diğer nesnelere dolanma riski dâhil, ancak bununla sınırlı olmamak kaydıyla tüm tehlikelerden uzak tutulmasını sağlayın.
  - Cankurtaran halatı keskin kenarlar veya köşelerle temas edebileceği zaman, uygun kenar korumasının kullanılmasını sağlayın.
  - Cihazın kullanım amacına uygun şekilde bağlandığından emin olun.
  - Güvenlik halatının kullanılmayan ayak(lar)ını, donatılmış ise, güvenlik kemeri park ataşman(lar)ına takın.
  - Güvenlik halatını bağlamayın veya düğümlemeyin.
  - İzin verilen kullanıcı sayısını geçmeyin.
  - Farklı üreticiler tarafından üretilmiş bileşenlerin birbirine monte edilmesiyle oluşturulan düşmeye karşı koruma sistemlerinin alt sistemlerinin birbirine uyum sağladığından ve ANSI Z359 veya geçerli diğer düşmeye karşı koruma yasaları, standartları veya düzenlemeleri dâhil olmak üzere geçerli standartların koşullarını karşıladığından emin olun. Bu sistemleri kullanmadan önce Yetkili ve/veya Ehliyetli bir Kişiye danışın.
- **Kaçınılmadığı takdirde, ağır yaralanmaya veya ölüme yol açabilecek olan yüksekte çalışma ile ilgili riskleri azaltmak için:**
  - Sağlığınızın ve fiziksel durumunuzun yüksekte çalışma ile ilişkili tüm kuvvetlere güvenli şekilde dayanmanıza olanak vermesine dikkat edin. Bu ekipmanı kullanma yeteneğiniz ile ilgili sorularınız olduğu takdirde doktorunuza danışın.
  - Düşmeye karşı koruma ekipmanınızın izin verilen kapasitesini asla aşmayın.
  - Düşmeye karşı koruma ekipmanınızın maksimum serbest düşme mesafesini asla aşmayın.
  - Kullanım öncesi incelemeyi veya diğer programlı muayeneleri geçemeyen veya ekipmanın sizin uygulamanızdaki kullanımı veya uygunluğu bakımından endişeleriniz olduğu zaman, düşmeye karşı koruma ekipmanını kullanmayın. Tüm sorularınız için 3M Teknik Servisine danışın.
  - Bazı alt sistem ve bileşen kombinasyonları, bu ekipmanın çalışmasına engel olabilir. Yalnızca uyumlu bağlantılar kullanın. Bu ekipmanı Kullanma Talimatlarında belirtilenler dışında bileşenler veya alt sistemler ile birlikte kullanmadan önce 3M'ye danışın.
  - Hareketli makineler (örneğin petrol kulelerinin tepe tahriki), elektrik tehlikeleri, aşırı sıcaklıklar, kimyasal tehlikeler, patlayıcı veya zehirli gazlar, keskin kenarlar çevresinde veya sizin veya düşmeye karşı koruma donanımınızın üzerine düşebilecek olan yüksekteki malzemeler altında çalışırken ilave önlemler kullanın.
  - Yüksek ısı ortamlarda çalışırken Ark Parlama veya Sıcak Çalışma cihazları kullanın.
  - Kullanıcıya veya ekipmana zarar verebilecek yüzeylerden ve nesnelere kaçın.
  - Yüksekte çalışırken yeterli düşme açıklığının bulunmasına dikkat edin.
  - Düşmeye karşı koruma ekipmanınızda asla tadilat veya değişiklik yapmayın. Bu ekipmanı yalnızca 3M veya 3M tarafından yazılı olarak yetki verilmiş taraflar tamir edebilir.
  - Düşmeye karşı koruma ekipmanını kullanmadan önce, bir düşme kazası olması durumunda, hemen kurtarma işi yapmaya olanak veren bir kurtarma planının bulunduğunu kontrol edin.
  - Bir düşme olayı durumunda, düşen işçi için hemen tıbbi yardım isteyin.
  - Düşmeyi engelleme uygulamaları için bir vücut kemeri kullanmayın. Sadece Tam Vücut Kemeri kullanın.
  - Ankraj noktasının mümkün olduğunca doğrudan altında çalışarak sallanarak düşmeleri asgari düzeye indirin.
  - Bu cihazda eğitim alıyorsa, eğitim alan kişiyi beklenmedik bir düşme tehlikesine maruz bırakmayacak biçimde ikincil bir düşmeye karşı koruma sistemi kullanılmalıdır.
  - Cihazı/sistemi takarken, kullanırken veya muayene ederken daima uygun kişisel koruyucu ekipman kullanın.

Bu ekipmanı kullanmadan önce kimlik etiketindeki ürün tanımlama bilgilerini (bkz. Şekil 8) bu kılavuzun arkasındaki "Muayene ve Bakım Günlüğü" Tablo 2'e kayıt edin.

Her zaman 3M kullanım kılavuzunuzun son sürümünü kullandığınızdan emin olun. Güncel kullanım kılavuzları için 3M web sitesini ziyaret edin veya 3M Teknik Servisiyle görüşün.

## AÇIKLAMA

3M™ Protecta® Güvenlik Halatı Ayarlanabilir kişisel çalışma konumlandırma sisteminin bir parçası olarak kullanılmak üzere tasarlanmıştır. Çalışma konumlandırma sistemleri tipik olarak, bir tam vücut kemeri veya vücut kemeri, konumlandırma halatı ve bir yedek kişisel düşmeyi önleme sistemi içermektedir. Ayarlama sistemi, kullanım esnasında güvenlik halatının uzunluğunu kolayca ayarlama seçeneğine sahiptir. Bu ekipman düşme önleme amacı için uygun değildir ve düzeneklerin yüksekten düşmelere karşı toplu (ör. güvenlik ağları) veya kişisel (ör. düşme önleme sistemleri) koruma vasıtaları ile çalışma konumlandırması için takviye edilmesi gerekmektedir.

Şekil 1 bu talimat kapsamına giren Ayarlanabilir Çalışma Konumlandırma Güvenlik Halatını tanımlar. Farklı modeller, aşağıdaki özelliklerin çeşitli kombinasyonları ile kullanılabilir:

**Tablo 1 – Teknik Özellikler**

<b>BİLEŞEN TEKNİK ÖZELLİKLERİ</b>		
<b>Şekil 1 Referansı:</b>		<b>Açıklama:</b>
<b>Vücut Konnektörü</b>	①	Trigger™ İp Ayarlama Cihazı
	②	AJ514/0
	③	AJ572/0
	④	AJ501/0
<b>İp Destek Konnektörü</b>	⑤	AJ523/0
	⑥	20LF
	⑦	AJ565/0
	⑧	AJ595/0
<b>İpler</b>	⑨	Statik İp - 10,5 mm (0,41 in.)
<b>Ek Özellik</b>	⑩	Aşınmaya Dirençli Koruyucu İp Kılıf Manşonu
<b>İp Sonlandırma</b>	⑪	İp Ucunda Basit Düğüm
<b>Etiketler</b>	⑫	Etiketler

## **SİSTEMİN TEKNİK ÖZELLİKLERİ**

<b>Performans:</b>	
LY	Güvenlik Halatının Uzunluğu (bkz. Şekil 1).
Kapasite:	Toplam ağırlığı (kiyafet, alet, vb. dahil) şu değerden yüksek olmayan 1 kişi: 140 kg (309 lib)
Çalışma Sıcaklığı:	Minimum: -35 °C (-31 °F) Maksimum: +57 °C (135 °F)

<b>Malzemeler:</b>	
Cihaz Gövde Bileşeni:	Paslanmaz Çelik, Alaşımli Çelik, Alüminyum Alaşım ve Kauçuk - 22 kN (4 946 lib) Gerilme Dayanımı
Karabina:	Alaşımli Çelik, Alüminyum - 22 kN (4 946 lbf) Minimum Gerilme Direnci
Kancalar:	Çelik, Paslanmaz Çelik ve Çinko veya Krom Kaplamalı - 22 kN (4 946 lib) Gerilme Dayanımı
Halat:	Naylon - 22 kN (4 946 lbf) Gerilme Direnci
İp kapak:	Polyester, Naylon

## 1.0 UYGULAMALAR

- 1.1 AMAÇ:** Güvenlik halatları, bir kişisel düşme önleme sisteminde kullanılacak (Şekil 2'e bakın) bir bileşen olarak tasarlanmıştır. Tiplerine bağlı olarak düşme enerjisini dağıtabilir, vücuda aktarılan düşme kuvvetlerini sınırlandırabilir veya iş konumlandırma ve bağlama için kullanılabilirler. Şekil 1 bu talimat kılavuzu kapsamındaki Güvenlik Halatı modellerini tanımlamaktadır. Çalışan hareketi ve düşme korumasının bir birleşiminin gerektiği çoğu durumda (ör: inceleme işleri, genel inşaat, bakım işleri, petrol üretimi, dar alanda çalışma vb.) kullanılmaları mümkündür.
- 1.2 STANDARTLAR:** Güvenlik Halatınız, bu talimatların ön kapağında belirtilen ulusal veya bölgesel standarda/ standartlara uymaktadır. Kişisel Düşme Koruması ile ilgili ek bilgiler için iş güvenliği ile ilgili yerel gerekliliklere bakın. Bu ürünün orijinal varış ülkesi dışında yeniden satılması durumunda, satıcı bu talimatları ürünün kullanılacağı ülkenin dilinde temin etmelidir.
- 1.3 EĞİTİM:** Bu ekipmanın, doğru uygulama ve kullanım konusunda eğitimli kişilerce kullanılması amaçlanmıştır. Bu talimatları bilmek ve ekipmanın doğru kullanımı ve bakımı konusunda eğitim almak kullanıcının sorumluluğundadır. Kullanıcılar ayrıca işletim özellikleri, uygulama limitleri ve yanlış kullanımın sonuçlarını biliyor olmalıdır.
- 1.4 GEREKLİLİKLER:** Bu ekipmanı kurduğunuzda veya kullandığınızda her zaman aşağıdaki sınırlamaları göz önünde bulundurun:
- **Kapasite:** Güvenlik Halatları, Halat modeli için toplam ağırlığı (giysi, aletler, vb.) Tablo 1'de belirtilen Kapasite Aralığını karşılayan bir kişi tarafından kullanım içindir. Sistemdeki tüm bileşenlerin gerekli uygulama için uygun bir kapasitede değerlendirilmiş olduğundan emin olun.
  - **Ankraj:** Düşme önleme sistemleri için seçilen ankrajlar, asgari olarak tüm sistem tarafından izin verilen yönlerde uygulanan aşağıdaki statik yüklerle dayanabilmelidir:
    - A. Belgeli olmayan ankrajlarda metal ankrajlar için 12 kN (2 698 lb) veya dokuma ankrajlar için 18 kN (4 047 lb) veya
    - B. Belgeli ankrajlar için maksimum önleme kuvvetinin iki katı.Ankraj tipine dayalı olarak izin verilmesi halinde bir bağlantıya birden fazla düşme önleme sisteminin takılması durumunda, yukarıda madde (1) ve (2) içinde belirtilen dayanımlar, bağlantıya takılan sistem sayısı ile çarpılmalıdır.
  - **Sallanarak Düşmeler:** Sallanarak Düşmeler, ankraj noktası düşmenin meydana geldiği noktanın doğrudan üzerinde olmadığında gerçekleşmektedir. Sallanarak düşmede bir nesneye çarpma kuvveti ciddi bir yaralanmaya neden olabilir (Şekil 3'e bakın). Ankraj noktasının mümkün olduğunca doğrudan altında çalışarak sallanarak düşmeleri asgari düzeye indirin. Kordonu her zaman, Ankraj noktasının bel seviyesinde veya üstünde tutacak şekilde yerleştirin ve / veya ayarlayın; kordon gergin tutulur; ve serbest hareket maksimum 0,6 m (1,97 ft) ile sınırlandırılmıştır.
  - **Tehlikeler:** Bu ekipmanın, çevrede tehlikelerin bulunduğu alanlarda kullanılması sırasında kullanıcının yaralanma veya ekipmanın zarar görme olasılığını azaltmak için ek önlemler alınması gerekebilir. Yüksek ısı, yakıcı kimyasallar, aşındırıcı ortamlar, yüksek voltajlı elektrik hatları, patlayıcı veya zehirli gazlar, hareket eden makineler veya düşerek kullanıcıya veya düşme önleme sistemine temas edebilecek baş üstü düzeydeki malzemeler gibi tehlikeler bulunabilir, ancak tehlikeler bunlarla sınırlı değildir. Güvenlik Halatınızın başka bir işçininkine dolanabileceği veya karışabileceği yerlerde çalışmaktan kaçının. Bir nesnenin düşerek Güvenlik Halatına çarpabileceği ve bunun da denge kaybı ve Güvenlik Halatı hasarıyla sonuçlanabileceği yerlerde çalışmaktan kaçının. Güvenlik Halatının kolların altından ya da bacakların arasından geçmesine izin vermeyin.

## 2.0 KULLANIM

- 2.1 DÜŞME KORUMA VE KURTARMA PLANI:** İşveren bir Düşme Koruma ve Kurtarma Planına sahip olmalıdır. Politikalar, görevler ve eğitim; düşme koruma prosedürleri; düşme tehlikelerinin ortadan kaldırılması ve kontrolü; kurtarma prosedürleri; olay soruşturmaları ve programın etkililiğinin değerlendirilmesi dahil olmak üzere, plan, işverenin yönetilen düşme koruma programı için kılavuzlar ve gereklilikler sunulmalıdır.
- 2.2 MUAYENE SIKLIĞI:** Güvenlik Halatlar işçi tarafından her kullanımdan önce<sup>1</sup> muayene edilmelidir. Ek olarak, muayeneler kullanıcı dışındaki yetkili bir kişi<sup>2</sup> tarafından yürütülmelidir. Aşırı çalışma koşulları (sert çevre şartları, uzun süreli kullanım vb.) daha sık yetkili kişi muayeneleri gerektirebilir. Yetkili kişi uygun muayene aralıklarını belirleyecektir. Muayene prosedürleri, *Muayene ve Bakım Günlüğü'nde (Tablo 2)* açıklanmıştır. Yetkili Kişi muayenesinin sonuçları, *Muayene ve Bakım Günlüğüne* ya da Radyo Frekans Belirleme (RFID) sistemine kaydedilmelidir.
- 2.3 BİLEŞENLERİN UYUMLULUĞU:** Aksi belirtilmediği takdirde 3M ekipmanı, sadece 3M onaylı bileşenler ve alt sistemlerle birlikte kullanım için tasarlanmıştır. Onaylanmamış bileşenler veya alt sistemlerle yapılan değiştirmeler ekipmanın uyumluluğunu riske atabilir ve komple sistemin güvenliği ve güvenilirliğini etkileyebilir.
- 2.4 KONNEKTÖRLERİN UYUMLULUĞU:** Konnektörler, nasıl yönlendirilirse yönlendirilsinler, boyutları ve şekilleri geçme mekanizmalarının yanlışlıkla açılmasına neden olmadan birlikte çalışacak şekilde tasarlandığı takdirde bağlantı elemanları ile uyumlu kabul edilir. Uyumluluk konusunda bir sorunuz olduğu takdirde 3M ile görüşün. Konnektörler (kancalar, karabinalar ve D-halkaları) en az 22 kN (5.000 lb) değerini destekleyecek kapasitede olmalıdır. Konnektörler, tespit yeri veya diğer sistem bileşenleri ile uyumlu olmalıdır. Uyumlu olmayan ekipmanı kullanmayın. Uyumlu olmayan konektörler istenmeyen serbest kalmalara yol açabilir (bkz. Şekil 4). Konnektörler ebat, şekil ve direnç açısından uyumlu olmalıdır. Kendinden kilitli yaylı kancalar ve karabinalar kullanılması gerekmektedir. Bir yaylı kancanın veya karabinaların (A) bağlı olduğu bağlantı elemanı gerekenden daha küçük boyutlu veya bozuk şekilli olduğu takdirde, bağlantı elemanının yaylı kanca veya karabina ağızına kuvvet uyguladığı bir durum ortaya çıkabilir. Bu kuvvet, kapının açılmasına (B) sebep olarak, yaylı kanca veya tespit segmanının bağlantı noktasından serbest kalmasına (C) izin verebilir.

**1 İşçi:** Aktif bir düşme koruma sistemi tarafından düşmeye karşı korunan herhangi bir kişi veya düşme önleme Sistemlerinde sisteme bağlı iken düşebilecek herhangi bir kişi.

**2 Yetkili Kişi:** İşveren tarafından, işverenin yönettiği düşme koruma programının anında gözetimi, uygulanması ve izlenmesinden sorumlu olmak üzere atanan, eğitim ve bilgi yoluyla var olan ve potansiyel düşme tehlikelerini belirleme, değerlendirme ve çözüm bulma becerisine sahip olan ve bu tehlikelerle ilgili olarak ivedi düzeltici adımlar atma konusunda işverenden yetki almış olan bir kişi.

- 2.5 BAĞLANTI KURMA:** Bu ekipmanda kullanılan yaylı kancalar ve karabinalar kendinden kilitli olmalıdır. Tüm bağlantı parçalarının boyut, şekil ve dayanım bakımından uyumlu olmasına dikkat edin. Uyumlu olmayan ekipmanı kullanmayın. Bütün bağlantı parçalarının tam olarak kapalı ve kilitli olmasına dikkat edin. 3M konnektörler (yaylı kancalar ve karabinalar) yalnızca her ürünün kullanıcı kılavuzunda belirtilen şekilde kullanılmak için tasarlanmıştır. Uygun olmayan bağlantılar için Şekil 5'ye bakın. Yaylı kancaları ve karabinaları bağlamayın:
- Başka bir konnektörün bağlı olduğu bir D-halkasına bağlanmamalıdır.
  - Kapıda bir yüklenmeye sebep olacak şekilde bağlanmamalıdır. Geniş boğumlu yaylı kancalar, yaylı kancaya 16 kN'lık (3.600 lib) bir kapı takılı değilse, kanca veya D-halkasının bükülmesi veya dönmesi durumunda kapıda yükü sonuçlanacak standart boyuttaki D-halkaları veya benzer nesnelere bağlanmamalıdır.
  - Eşleşen konnektörlerin boyutlarının veya şekillerinin uyumlu olmadığı yanlış bağlantılarda, görsel doğrulama yapılmadan konnektörler tam olarak oturmuş gibi görünür.
  - Birbirine bağlanmamalıdır.
  - Doğrudan örgüye veya halat ipine ya da arka bağlantıya (hem halat hem bağlantı parçası ile ilgili üretici talimatları böyle bir bağlantıya açıkça izin vermediği sürece) bağlanmamalıdır.
  - Yaylı kancanın veya karabinanın kapanmayacağı veya kilitlenmeyeceği ya da açılacağı bir şekle veya boyuta sahip herhangi bir nesneye bağlanmamalıdır.
  - Konnektörün yük altında düzgün şekilde hizaya giremeyeceği bir tarzda bağlanmamalıdır.

### 3.0 KURULUM VE AYARLAMA

- 3.1 PLANLAMA:** İşinize başlamadan önce düşme koruma sisteminizi planlayın. Düşüş öncesi, sırası ve sonrasında güvenliğinizi etkileyecek tüm faktörleri dikkate alın. Bölüm 1'de tanımlanan tüm gereklilikler ve sınırlamaları göz önünde bulundurun.
- 3.2 ANKRAJ:** Serbest düşme ve dönerek düşme tehlikelerinin minimum olduğu bir ankraj konumu seçin (bkz. Bölüm 1). Bölüm 1'de tanımlanan statik yüklerle dayanabilecek sağlam bir ankraj noktası seçin.
- 3.3 VÜCUT DESTEĞİ BAĞLANTISI:** Bağ / Çalışma Konumlandırma Güvenlik Halatı bir Tam Vücut Kemerini veya Vücut Kayışı ile birlikte kullanılmalıdır. Bağ uygulamaları için Güvenlik Halatını kemer veya kayış üzerindeki uygun Ataşman Elemanına (D-Halkası) bağlayın. Diğer tüm düşme koruma uygulamaları ve önerilen bağlantılar için kemerinize veya kayışınıza dahil edilmiş olan talimatlara başvurun.
- 3.4 ÇALIŞMA KONUMLANDIRMA GÜVENLİK HALATINA BAĞLANMA:** Bağlanırken açılma olmayacağından emin olun. (Bkz. Bölüm 2.5 "Bağlantılar.") Kanca ve eşleşme konnektörü arasındaki engel, kanca kapısının istem dışı açılmasına ve serbest kalmasına neden olduğunda açılma meydana gelir.

- ADIM 1:** Kilitleme İp Destek Konnektörünü (Bkz. Şekil 1) operatörün vücut kayışında veya tam vücut kemeri üzerinde bulunan sol veya sağ D-Halkasına bağlayın.
- ADIM 2:** Güvenlik halatını 12 kN (2 698 lb) veya üzeri yükleri destekleyebilen güvenli bir ankrajın çevresine yerleştirin. Güvenlik halatının aşağı kaymayacak veya ankraj noktasını geçmeyecek şekilde sabitlendiğini doğrulayın.
- ADIM 3:** Güvenlik halatı Vücut Konnektörünü (Bkz. Şekil 1) karşı taraftaki D-halkasına bağlayın. Bağlandığında yaylı kanca veya karabina kapısı dışarı bakmalı ve kullanıcıdan uzakta olmalıdır.
- ADIM 4:** Halatı kısaltmak için kuyruğu doğrudan ankraj noktasına doğru çekin. (Şekil 6)
- ADIM 5:** Arkaya yaslanıldığında ipin ayarlayıcıdan beslenmesine izin verin. İstenen konuma geldiğinde ayarlayıcıyı serbest bırakın. (Şekil 7)
- ADIM 6:** Ankrajın güvenli bir şekilde yapıldığını, bağlantıların doğru şekilde gerçekleştirildiğini ve ipin ayarlandığını doğrulayın:
- Yeterli ankraj dayanımı.
  - Yaylı kanca ve karabina tam vücut kemeri veya vücut kayışına doğru şekilde bağlı.
  - Güvenlik halatı kayamıyor veya ankraj noktasını geçemiyor.
  - Güvenlik halatı doğru şekilde gerdirilmiş.

İpe geri bağlamak için yaylı kancayı veya karabinayı kullanmayın. Her iki konnektör de uygun taraftaki D-Halkalarına bağlanmalıdır. Tam vücut kemerine yalnızca bir konnektör bağlı iken kesinlikle Ayarlanabilir Çalışma Konumlandırma Güvenlik Halatını kullanmayın.

### 4.0 ÇALIŞTIRMA

Güvenlik Halatlarını (Güvenlik Halatları) ilk defa veya nadiren kullanan kullanıcılar, Güvenlik Halatını kullanmadan önce bu kılavuzun başlangıcında sunulan "Güvenlik Bilgilerini" gözden geçirmelidir.

- 4.1 İŞÇİ MUAYENESİ:** Her kullanımdan önce Muayene ve Bakım Günlüğü (Tablo 2) dahilinde verilen muayene kontrol listesine göre Güvenlik Halatını muayene edin. Muayene sonucunda güvensiz bir durum veya Güvenlik Halatının hasara veya düşme kuvvetlerine maruz kaldığı tespit edilirse Güvenlik Halatı hizmet dışı bırakılmalı ve imha edilmelidir.
- 4.2 ÇALIŞTIRMA:** Her zaman ilk önce Güvenlik Halatının Vücut Desteği Ucunu Tam Vücut Kemerine veya Vücut Kayışına ve ardından Ayak Ucunu uygun ankraja bağlayın. Düşme tehlikesi olan noktalarda her zaman ankraja mümkün olduğu kadar yakın bir noktada çalışarak güvenlik halatındaki gevşeklik miktarını en aza indirin. Vücut desteği ve ankraj bağlantısı ile ilgili ayrıntılar için Bölüm 3'e bakın. Kullanım sırasında tespit ve / veya ayar elemanlarını düzenli olarak kontrol edin.
- 4.3 BİR DÜŞMENİN ARDINDAN:** Muayene ve Bakım Günlüğü' (Tablo 2) açıklandığı gibi düşme koruması kuvvetlerine maruz kalmış olan ve düşme koruması kuvvetlerinin etkisi ile tutarlı hasar sergileyen Güvenlik Halatı, ivedi olarak

kullanımdan çıkarılmalı ve imha edilmelidir.

## 5.0 MUAYENE

**5.1 MUAYENE SIKLIĞI:** Güvenlik Halatı Bölüm 2'de belirtilen aralıklarla muayene edilmelidir. Muayene prosedürleri, "Muayene ve Bakım Günlüğü" (Tablo 2) dahilinde açıklanmıştır.

Aşırı çalışma koşulları (sert çevre şartları, uzun süreli kullanım vb.) muayenelerin sıklığının artırılmasını gerektirebilir.

**5.2 GÜVENLİ OLMAYAN VEYA KUSURLU KOŞULLAR:** Muayene sonucunda güvenli olmayan veya kusurlu bir koşul ortaya çıkarsa kazara kullanılmasını önlemek için Güvenlik Halatını derhal hizmetten çıkarın ve imha edin. Güvenlik Halatları onarılabılır değildir.

**5.3 ÜRÜN ÖMRÜ:** 3M Güvenlik Halatlarının işlevsel ömrü çalışma koşullarına ve bakıma göre belirlenir. Maksimum ömür süresi, çok zor koşullarda yoğun şekilde kullanım için 1 yıldan, hafif koşullarda az kullanım için 10 yıla kadar değişebilir. Ürün, muayene ölçütlerini geçtiği sürece maksimum 10 yıla kadar kullanımda kalabilir.

## 6.0 BAKIM, SERVİS VE SAKLAMA

Güvenlik Halatlarını aşağıdaki "Temizleme Talimatlarında" açıklananlar dışında herhangi bir yöntem ile temizlemeyin ve dezenfekte etmeyin. Başka yöntemler Güvenlik Halatları veya kullanıcı üzerinde olumsuz etkilere yol açabilir.

**6.1 TEMİZLİK:** Güvenlik Halatları için temizlik prosedürleri aşağıdaki gibidir:

- Su ve hafif bir sabun çözeltisi kullanarak Güvenlik Halatının dışını düzenli olarak temizleyin. Su sıcaklığı 40 °C'yi (104 °F) geçmemelidir. Güvenlik Halatını, fazla suyun akıp boşalacağı bir konuma getirin. Kuru temizleme yapmayın. Ütülemeyin. Etiketleri gerektiği gibi temizleyin.
- Durulayın ve iyice kuruması için açıkta bırakın. Isı vererek kurutmayın.

Güvenlik Halatlarını temizlerken ağartıcı olmayan bir deterjan kullanın. Güvenlik Halatlarını temizlerken ve kuruturken kumaş yumuşatıcı veya kurutucu tabakaları KULLANILMAMALIDIR

**6.2 SERVİS:** Güvenlik Halatları onarılabılır değildir. Güvenlik Halatı herhangi bir hasara veya düşme kuvvetine maruz kalmışsa veya muayene sonucunda güvensiz veya kusurlu bir durum tespit edilirse Güvenlik Halatını hizmet dışı bırakın ve imha edin.

**6.3 SAKLAMA/TAŞIMA:** Güvenlik Halatlarını doğrudan güneş ışığından uzak, serin, kuru ve temiz bir ortamda saklayın ve taşıyın. Kimyasal buharların bulunabileceği alanlardan uzak durun. Uzun süreli saklama sonrasında Güvenlik Halatını ayrıntılı muayeneden geçirin.

## 7.0 ETİKETLER

Şekil 8 Güvenlik Halatları üzerindeki etiketleri ve bu etiketlerin konumlarını göstermektedir. Güvenlik Halatı üzerinde tüm etiketler bulunmalıdır - Bkz. Şekil 1.

Her etiketteki bilgiler şu şekildedir:

Şekil 8'e bakın:	Açıklama:
①	Model numarası
②	Seri numarası
③	Seri numarası
④	Üreticinin Adresi
⑤	Talimatlara Bkz
⑥	Avrupa standardı
⑦	CE işareti
⑧	Yazılıma uygun onaylanmış kuruluş numarası
⑨	Uzunluk
⑩	Üretim ayı
⑪	Üretim yılı
⑫	Üreticinin Web Adresi
⑬	Halat Çapı
⑭	Kapasite





## ІНФОРМАЦІЯ ЩОДО ПРАВИЛ БЕЗПЕКИ

Перед застосуванням цього стропа для утримання та позиціонування уважно прочитайте, зрозумійте та дотримуйтеся усіх правил безпеки, викладених у цій інструкції. **НЕДОТРИМАННЯ ЦІЄЇ ВИМОГИ МОЖЕ ПРИЗВЕСТИ ДО ВАЖКИХ ТІЛЕСНИХ УШКОДЖЕНЬ АБО СМЕРТІ.**

Цю інструкцію необхідно надати користувачеві цього обладнання. Зберігайте цю інструкцію на випадок, якщо постане потреба скористатися ними у майбутньому.

### Цільове застосування:

Цей строп для утримання та позиціонування використовується в комплексі повної індивідуальної системи попередження падіння. Строп для утримання та позиціонування використовується для попередження або захисту користувача від небезпеки падіння.

Застосування з іншою метою, наприклад, зокрема, для роботи з матеріалами, у рекреаційній або спортивній діяльності або інших видах діяльності, не зазначених у цій Інструкції з використання, не передбачене компанією «ЗМ», і може стати причиною важкої травми або смерті.

Цей пристрій застосовується лише навченими користувачами на робочому місці.

## УВАГА!

Цей строп для утримання та позиціонування є елементом індивідуальної системи попередження падіння. Передбачається, що усі користувачі пройдуть повне навчання з встановлення та використання цієї індивідуальної системи попередження падіння з висоти. **Неправильна експлуатація може стати причиною важкої травми або смерті.** З питаннями щодо вибору, експлуатації, встановлення, обслуговування та сервісу звертайтеся до цієї Інструкції з використання та рекомендацій виробника, а також звертайтеся безпосередньо до свого керівника або служби технічної підтримки компанії «ЗМ».

- **Для зменшення ризиків, пов'язаних з роботою зі стропом для утримання та позиціонування, які, якщо їх не попередити, можуть призвести до важкої травми або смерті:**
  - Цей виріб дозволяється використовувати виключно у цілях робочого позиціонування або обмеження відстані пересування. Строп для позиціонування необхідно налаштувати так, щоб обмежити висоту вільного падіння максимум до 0,6 метрів, та звести до мінімуму ймовірність маятникового падіння. Строп для утримання повинен попередити або захистити користувача від ризику падіння з висоти.
  - Ніколи не використовуйте цей строп (тобто такий, що не має амортизаційних властивостей) в якості основного засобу захисту від падіння.
  - Оглядайте виріб перед кожним застосуванням, принаймні щороку, та після будь-якого випадку падіння. Огляд проводьте відповідно до Інструкції з використання.
  - Якщо під час огляду будуть виявлені небезпечні явища або ушкодження, слід вивести пристрій з експлуатації та утилізувати його.
  - Будь-який пристрій, що був використаний у затримці падіння або став предметом впливу фізичних сил, необхідно без зволікань вивести з експлуатації. Дивіться Інструкцію з використання або зверніться до відділу компанії «ЗМ» щодо захисту від падіння з висоти.
  - Переконайтеся, що усі з'єднувальні системи (напр., стропи) не зазнають впливу небезпечних чинників, наприклад, зокрема, не можуть бути зачеплені іншими працівниками, вами, рухомим механічним обладнанням або іншими об'єктами довкілля.
  - Якщо страхувальний канат може контактувати з гострими краями або кутами, подбайте про належний захист від країв.
  - Переконайтеся, що виріб оснащений виходячи з цільового застосування.
  - Закріпіть кінці стропу, що не використовуються, до скоб на об'язці, за наявності таких.
  - Не зав'язуйте строп та не робіть на ньому вузлів.
  - Не перевищуйте максимально допустиму кількість користувачів.
  - Переконайтеся, що системи та підсистеми попередження падіння, зібрані з компонентів, що вироблені різними виробниками, сумісні та відповідають вимогам застосованих стандартів, у тому числі ANSI Z359 чи інших відповідних норм, стандартів або вимог, що регулюють правила захисту від падіння. Перед застосуванням таких систем завжди звертайтеся по консультацію до компетентної або кваліфікованої особи.
- **Для зменшення ризиків, пов'язаних з роботою на висоті, котрі, якщо їх не попередити, можуть призвести до важкої травми або смерті:**
  - Переконайтеся, що ваш стан здоров'я та фізичний стан достатні для того, аби витримати фізичні навантаження при роботі на висоті. Якщо у вас є запитання щодо ваших можливостей з використання цього устаткування, зверніться до вашого лікаря.
  - Ніколи не перевищуйте максимально дозволене навантаження на ваше обладнання для попередження падіння з висоти.
  - Ніколи не перевищуйте максимальної величини відстані вільного падіння вашого захисного обладнання.
  - Ніколи не користуйтеся обладнанням з попередження падіння, яке не пройшло перевірку перед використанням або інші планові перевірки, або за наявності сумнівів у надійності або придатності цього обладнання для ваших потреб. Якщо виникнуть запитання, звертайтеся до служби технічної підтримки компанії «ЗМ».
  - Деякі підсистеми або комбінації компонентів можуть впливати на експлуатаційні характеристики цього обладнання. Використовуйте виключно сумісні з'єднання. Звертайтеся для консультації до компанії «ЗМ» перед використанням цього обладнання з компонентами або підсистемами, що не включені до описаних у цій Інструкції з використання.
  - При роботі поблизу рухомого механічного обладнання (напр., силових приводів бурових веж), джерел електричної небезпеки, в умовах екстремальних температур, за наявності хімічної небезпеки, в присутності вибухонебезпечних або токсичних газів, за наявності гострих предметів або під навислими матеріалами, що можуть впасти на вас або ваше обладнання для захисту падіння з висоти, завжди дотримуйтеся додаткових правил техніки безпеки.
  - При роботі в умовах високих температур використовуйте пристрої, призначені для роботи з дуговими спалахами або для вогневих робіт.
  - Уникайте поверхонь та об'єктів, здатних нанести травму користувачеві або пошкодити обладнання.
  - При роботі на висоті переконайтеся у наявності достатнього запасу висоти падіння.
  - Ніколи не вносьте модифікації та змін до вашого обладнання для попередження падіння. Проводити ремонт обладнання має право лише компанія «ЗМ» або сторони, уповноважені компанією «ЗМ» у письмовій формі.
  - Перед застосуванням обладнання для попередження падіння з висоти переконайтеся в наявності аварійного плану, що описує невідкладні заходи у випадку падіння.
  - Якщо станеться падіння, без зволікань надайте медичну допомогу робітнику, який впав.
  - Не використовуйте запобіжний пояс в якості засобу попередження падіння. Використовуйте тільки запобіжний лямковий пояс.
  - Мінімізуйте маятникові падіння, працюючи безпосередньо під анкерною точкою, наскільки це можливо.
  - Під час навчання правилами роботи з цим пристроєм необхідно використовувати допоміжну систему захисту від падіння з висоти, щоб особа, котра проходить навчання, була захищена від ризиків, пов'язаних з випадковим падінням.
  - При встановленні, застосуванні або перевірці пристрою чи системи завжди надягайте необхідні засоби індивідуального захисту.

Перед використанням цього обладнання переписуйте ідентифікаційні дані виробу (див. мал. 8) з Таблиці 2 в «Журналі перевірок та технічного обслуговування», що міститься на зворотній стороні цієї інструкції.

Завжди перевіряйте та використовуйте останню версію інструкцій із використання ЗМ. Відвідайте веб-сайт ЗМ або зверніться у службу технічної підтримки ЗМ для отримання оновлених інструкцій із експлуатації.

## ОПИС

Регульований страхувальний строп ЗМ™ Protecta® TRIGGER™ призначений для використання як частина індивідуальної системи фіксації робочого положення. Системи фіксації робочого положення зазвичай включають страхувальну прив'язь або запобіжний пояс, строп для фіксації робочого положення та індивідуальну резервну систему стримування падіння. Система регулювання дає змогу легко налаштувати довжину стропа під час використання. Це обладнання не призначене для стримування падіння. Воно необхідне як доповнення до пристроїв для фіксації робочого положення з використанням колективних (наприклад, страхувальної сітки) або індивідуальних (наприклад, систем стримування падіння) засобів захисту від падіння з висоти.

На рис. 1 зображено регульований строп для фіксації робочого положення, які описані в цій інструкції з експлуатації. Різні моделі доступні в різних комбінаціях таких властивостей:

**Таблиця 1 — Технічні характеристики**

<b>СПЕЦИФІКАЦІЇ КОМПОНЕНТІВ</b>		
<b>Посилання на рис. 1:</b>		<b>Опис:</b>
<b>Фіксатор на тіл</b>	①	Пристрій для регулювання канату TRIGGER™
	②	AJ514/0
	③	AJ572/0
	④	AJ501/0
<b>Фіксатор для підтримання канатів</b>	⑤	AJ523/0
	⑥	20LF
	⑦	AJ565/0
	⑧	AJ595/0
<b>Канати</b>	⑨	Статичний канат — 10,5 mm (0,41 in.)
<b>Додаткові елементи</b>	⑩	Стійкий до стирання захисний покривний рукав для каната
<b>Кінець канату</b>	⑪	Простий вузол на кінці канату
<b>Ярлики</b>	⑫	Ярлики

<b>СПЕЦИФІКАЦІЇ СИСТЕМИ</b>	
<b>Технічні характеристики:</b>	
LY	Довжина стропа (див. рис. 1).
Вантажність:	1 особа загальною вагою (одяг, інструменти тощо) не більше: 140 кг (309 фунтів)
Робоча температура:	Мінімум: -35 °C (-31 °F) Максимум: +57 °C (135 °F)
<b>Матеріали:</b>	
Компоненти пристрою:	Нержавіюча сталь, легована сталь, алюмінієвий сплав і гума — міцність на розтягування 22 кН (4946 фунтів)
Карабін:	Легована сталь, Алюміній - 22 кН (4 946 lbf) Мінімальна Міцність на розтягування
Гачки:	Сталь, нержавіюча сталь, покрита цинком або хромом — міцність на розтягування 22 кН (4946 фунтів)
Мотузка:	Нейлон - 22 кН (4 946 lbf) Міцність на розтягування
Мотузкова кришка:	Поліестер, Нейлон

## 1.0 ЗАСТОСУВАННЯ

- 1.1 ПРИЗНАЧЕННЯ:** страхувальні стропа розроблені в якості компоненту індивідуальної системи попередження падіння (див. мал. 2). Вони можуть розсіювати енергію падіння та обмежувати дію сил при падінні, що передаються тілу. Їх також можна використовувати для фіксації робочого положення та затримки, залежно від типу. На мал. 1 позначені моделі страхувальних стропів, описані в цій інструкції з експлуатації. Їх можна використовувати в більшості випадків, коли потрібна комбінація мобільності працівників і захисту від падіння (тобто інспекційна робота, загальне будівництво, ремонтні роботи, видобуток нафти, робота в обмеженому просторі тощо).
- 1.2 СТАНДАРТИ:** цей страхувальний строп відповідає державним або регіональним стандартам, вказаним на титульній сторінці цієї інструкції. Ознайомтеся з місцевими вимогами, що регулюють безпеку праці, для отримання додаткової інформації щодо індивідуального захисту від падіння. У разі перепродажу за межі країни первинного призначення перепродавець повинен надати ці інструкції на мові країни, в якій буде використано продукцію.
- 1.3 НАВЧАННЯ:** до встановлення та використання цього обладнання допускаються лише особи, навчені правилам роботи з ним. Користувач несе відповідальність за ознайомлення з цими інструкціями та навчання правилам догляду та використання цього обладнання. Користувачі також мають бути обізнаними з робочими характеристиками, межами застосування та наслідками неналежного використання обладнання.
- 1.4 ВИМОГИ:** при встановленні чи використанні цього обладнання завжди враховуйте такі межі застосування:
- **Вантажопідйомність:** страхувальні стропа призначені для використання однією людиною загальною вагою (включаючи одяг, інструменти тощо), що відповідає діапазону ваги, зазначеному на мал. 1 для моделі страхувального стропа. Переконайтеся, що всі компоненти вашої системи розраховані на вантажопідйомність відповідно застосуванню.
  - **Кріплення:** кріплення, обрані для систем попередження падіння, повинні мати здатність витримувати статичні навантаження, що прикладаються в напрямках, дозволених всією системою, принаймні:
    - A. 12 kN (2 698 lb) для металевих анкерів або 18 kN (4 047 lb) для текстильних анкерів для неперевіраних кріплень, або
    - B. подвійна максимальна сила зупинки для перевіраних кріплень.Коли до анкерного кріплення приєднано більше однієї системи попередження падіння (якщо це дозволено для певного типу анкера), міцність, зазначена у попередніх пунктах (1) і (2), множить на кількість систем, прикріплених до анкерного кріплення.
  - **Маятникові падіння:** маятникові падіння виникають, коли анкерна точка не знаходиться безпосередньо над точкою, звідки відбувається падіння. Сила удару при маятниковому падінні може спричинити серйозні травми або смерть (див. мал. 3). Мінімізуйте маятникові падіння, працюючи безпосередньо під анкерною точкою, наскільки це можливо. Завжди встановлюйте та / або регулюйте ремінець таким чином, щоб точка закріплення підтримувалася на рівні або вище рівня талії; шнур натягується; і вільний рух обмежений максимум 0,6 м (1,97 футів).
  - **Види небезпеки:** використання цього обладнання в зонах із загрозливим середовищем може вимагати додаткових заходів для попередження травм користувача або пошкодження обладнання. Загрози можуть включати, зокрема, такі: високу температуру, ідкі хімічні речовини, корозійне середовище, високовольтні лінії електропередач, вибухонебезпечні або токсичні гази, рухливі механізми або навислі матеріали, що можуть впасти чи торкнутись користувача або систему попередження падіння. Уникайте роботи в місцях, де ваш страхувальний строп може перетинатися або переплутатися з обладнанням іншого працівника. Уникайте роботи в місцях, де об'єкт, який падає, може зачепити строп, спричинивши тим самим втрату рівноваги або пошкодження стропа. Не допускайте, щоби страхувальний строп проходив під руками або між ногами.

## 2.0 ВИКОРИСТАННЯ

- 2.1 ПЛАН ЗАХИСТУ ВІД ПАДІННЯ І РЯТУВАЛЬНИХ РОБІТ:** роботодавець повинен мати на місці робіт план захисту від падіння і рятувальних робіт. План повинен містити керівні принципи та вимоги до програми захисту від падіння під керівництвом роботодавця, включаючи політику, обов'язки та навчання; процедури захисту від падіння; усунення та контроль небезпек падіння; процедури порятунку; розслідування інцидентів; та оцінку ефективності програми.
- 2.2 ПЕРІОДИЧНІСТЬ ПЕРЕВІРОК:** працівник повинен перевіряти страхувальні стропа <sup>1</sup>перед кожним використанням. Крім того, перевірки проводяться компетентною особою<sup>2</sup> (не працівником). Екстремальні умови праці (агресивне середовище, довготривале використання тощо) можуть вимагати частіших перевірок компетентними особами. Компетентна особа визначає відповідну періодичність перевірок. Процедури перевірки описані в «Журналі перевірок і обслуговування» (таблиця 2). Результати перевірки компетентною особою заносяться у «Журналу перевірок і обслуговування» чи відстежують за допомогою системи радіочастотної ідентифікації (RFID).
- 2.3 СУМІСНІСТЬ КОМПОНЕНТІВ:** якщо не вказано інше, обладнання ЗМ призначене для використання лише з компонентами та підсистемами, схваленими ЗМ. Заміна на несертифіковані компоненти чи підсистеми може поставити під загрозу сумісність обладнання та вплинути на безпеку й надійність всієї системи.
- 2.4 СУМІСНІСТЬ ФІКСАТОРІВ:** фіксатори сумісні зі з'єднувальними елементами, якщо призначені для спільного використання таким чином, щоб їх розміри та форми не призвели до випадкового відкриття фіксаторних механізмів незалежно від їх орієнтації. Зв'яжіться з ЗМ, якщо у вас виникли запитання щодо сумісності. Фіксатори (гаки, карабіни, D-подібні кільця) мають витримувати не менше 22 kN (2267,96 kg). Фіксатори мають бути сумісними з кріпленням або іншими компонентами системи. Не використовуйте несумісне обладнання. Несумісні фіксатори можуть випадково роз'єднатися (див. мал. 4). Фіксатори мають бути сумісними за розміром, формою та міцністю. Необхідні гаки та карабіни з автоматичним блокуванням. Якщо з'єднувальний елемент, до якого кріпиться гак чи карабін, є меншим чи має іншу форму, може виникнути ситуація, де з'єднувальний елемент передає зусилля на блокування гака чи карабіна (A). Це зусилля може призвести до відкриття

**1 Працівник:** будь-яка особа захищена від падіння активною системою захисту від падіння; або у випадку системи попередження падіння – людина, яка може впасти, під'єднана до системи.

**2 Компетентна особа:** призначена роботодавцем особа, яка несе відповідальність за безпосередній нагляд, впровадження та контроль за програмою захисту від падіння, що здійснюється під керівництвом роботодавця, яка, спираючись на свою підготовку і знання, здатна виявити, оцінити та вирішити наявну та потенційну небезпеку падіння, і яка уповноважена роботодавцем до вжиття негайних коригувальних дій щодо такої небезпеки.

фіксатора (В), що вивільнить гак або карабін з точки з'єднання (С).

- 2.5 З'єднання:** використовуйте із цим обладнанням лише гаки та карабіни з автоматичним блокуванням. Переконайтесь, що всі з'єднання сумісні за розміром, формою та міцністю. Не використовуйте несумісне обладнання. Переконайтесь, що всі фіксатори повністю закриті та заблоковані. Фіксатори ЗМ (гаки та карабіни) призначені для використання лише згідно з інструкціями користувача до кожного виробу. Див. приклад неправильного з'єднання на мал. 5. Гаки та карабіни не можна кріпити наступними способами:
- A. до D-подібного кільця, до якого під'єднано інший фіксатор;
  - B. способом, який призведе до навантаження на блокування; Гаки з великим зівом необхідно закріплювати на D-подібних кільцях стандартного розміру або подібних об'єктах, що зумовить перенесення навантаження на блокування, якщо гак або D-подібне кільце перекутиться або повернеться, якщо тільки блокування гака не розраховане на 16 kN (1632,93 кг).
  - C. Фальшивим зчепленням, коли розмір чи форма зістикованих фіксаторів не сумісні (без візуального підтвердження схоже на повне зчеплення фіксаторів).
  - D. один до одного;
  - E. безпосередньо до тканинного/канатного стропа чи затяжки (окрім випадків, коли інструкції виробника до стропа і фіксатора спеціально дозволяють таке з'єднання);
  - F. до будь-якого об'єкта, який має таку форму або розмір, що гак чи карабін не закривається й не блокується, або може трапитись випадіння;
  - G. способом, що не дає фіксатору прийняти нормальне положення під навантаженням.

### 3.0 ВСТАНОВЛЕННЯ ТА РЕГУЛЮВАННЯ

- 3.1 ПЛАНУВАННЯ:** Сплануйте систему захисту від падіння перед початком роботи. Врахуйте всі фактори, які можуть вплинути на вашу безпеку, до, під час та після падіння. Розгляньте всі вимоги та обмеження, визначені в розділі 1.
- 3.2 КРІПЛЕННЯ:** Виберіть місце для кріплення з мінімальними ризиками вільного падіння та падіння з розкачуванням (див. розділ 1). Виберіть нерухому точку кріплення, здатну витримувати статичні навантаження, визначені у розділі 1.
- 3.3 З'єднання для підтримки тіла:** Строп для утримання/фіксації робочого положення слід використовувати з комбінованою страхувальною обв'язкою або запобіжним поясом. У разі застосування для утримання приєднайте строп до відповідного елемента кріплення (D-подібне кільце) на обв'язці або на поясі. Ознайомтеся з інструкціями, що входять до комплекту поставки страхувальної обв'язки або поясу, стосовно інших варіантів практичного застосування для захисту від падіння та рекомендованих з'єднань.
- 3.4 З'єднання зі стропом для фіксації робочого положення:** Під час з'єднання переконайтесь, що розгортання неможливе. (Див. розділ 2.5 «З'єднання.») Розгортання виникає, коли перешкода між гаком і сумісним фіксатором призводить до непередбачуваного відкриття та розчеплення гака.

- КРОК 1:** З'єднайте замикальний фіксатор для підвісу канату (див. рис. 1) до лівого або правого бокового D-подібного кільця, розташованого на запобіжному поясі оператора або страхувальній прив'язі.
- КРОК 2:** Розмістіть строп круг закріпленої анкерної точки, яка здатна витримувати навантаження 12 kN (2 698 lb) або більше. Переконайтесь, що строп закріплений у такий спосіб, щоби він не міг висковзнути або пройти повз анкерну точку.
- КРОК 3:** Під'єднайте фіксатор стропа на тілі (див. рис. 1) до D-подібного кільця з протилежного боку. Під час з'єднання затвор гак-карабіна або карабіна має бути спрямовано назовні та в протилежну сторону від користувача.
- КРОК 4:** Щоби скоротити канат, потягніть кінець прямо до місця кріплення. (рис. 6)
- КРОК 5:** Зробіть так, щоби канат проходив через регулятор під час відхилення назад. Відпустіть регулятор, коли він буде в потрібному положенні. (рис. 7)
- КРОК 6:** Переконайтесь у надійності кріплення анкерної точки, правильності з'єднання та регулюванні канату:
- Адекватна міцність анкерної точки.
  - Гак-карабін і карабін належним чином під'єднані до страхувальної прив'язі або запобіжного поясу.
  - Строп не висковзує та не проходить повз анкерну точку.
  - Строп правильно натягнуто.

Не використовуйте гак-карабін або карабін для прив'язування до каната. Обидва фіксатори мають бути під'єднані до відповідних бокових D-подібних кілець. Ніколи не використовуйте регульований строп для фіксації робочого положення лише з одним фіксатором, під'єднаним до страхувальної прив'язі.

### 4.0 ЗАСТОСУВАННЯ

Перед застосуванням страхувального стропа користувачі, які застосовують його вперше або рідко, повинні ознайомитися з інформацією з безпеки, що викладена на початку цього посібника, перш ніж використовувати строп.

- 4.1 ПЕРЕВІРКА ПРАЦІВНИКОМ:** Перед кожним використанням необхідно перевірити страхувальний строп на відповідність контрольному списку перевірки у «Журналі перевірок і обслуговування» (таблиця № 2). Якщо під час перевірки виявлено небезпечний стан або ознаки пошкодження стропа чи впливу сил при падінні, його необхідно вилучити з експлуатації та утилізувати.
- 4.2 ВИКОРИСТАННЯ:** У будь-якому разі спочатку під'єднуйте кінець стропа для опори тіла до комбінованої страхувальної обв'язки або запобіжного поясу, а потім під'єднуйте кінець коліна до відповідного кріплення. Необхідно завжди мінімізувати провисання стропа біля точки небезпеки падіння, працюючи якомога ближче до

кріплення. Детальніше про під'єднання опори тіла та кріплення див. у розділі 3. Регулярно перевіряйте елементи кріплення та / або регулювання під час використання.

**4.3 ПІСЛЯ ПАДІННЯ:** Будь-який страхувальний строп, що зазнав впливу сил стримування падіння або має пошкодження, що відповідають впливу сил запобігання падінню, як описано в «Журналі перевірок та обслуговування» (таблиця № 2), слід вилучити з експлуатації та утилізувати.

## 5.0 ПЕРЕВІРКА

**5.1 ПЕРІОДИЧНІСТЬ ПЕРЕВІРОК:** Перевірку страхувального стропу слід проводити з інтервалами, визначеними в розділі 2. Процедури перевірки описані в «Журналі перевірок та обслуговування» (таблиця № 2).

Екстремальні умови праці (агресивне середовище, довготривале використання тощо) можуть збільшувати частоту перевірок.

**5.2 НЕБЕЗПЕЧНИЙ АБО НЕНОРМАЛЬНИЙ СТАН:** Якщо під час перевірки виявлено небезпечний або ненормальний, страхувальний строп слід негайно вилучити з експлуатації та утилізувати. Страхувальні стропи не підлягають ремонту.

**5.3 ТЕРМІН ЕКСПЛУАТАЦІЇ:** Функціональний термін експлуатації страхувальних строп компанії ЗМ визначається умовами роботи та обслуговуванням. Максимальний термін експлуатації може складати від 1 року при інтенсивному використанні в екстремальних умовах до 10 років при неінтенсивному використанні у м'яких умовах. Поки виріб відповідає критеріям перевірки, його можна експлуатувати протягом щонайбільше 10 років.

## 6.0 ТЕХНІЧНЕ ОБСЛУГОВУВАННЯ, РЕМОНТ ТА ЗБЕРІГАННЯ

Не очищуйте та не дезінфікуйте страхувальні стропи будь-яким способом, відмінним від описаного у наведених нижче «Інструкціях з очищення». Інші методи можуть мати негативний вплив на стропи або користувача.

**6.1 ОЧИЩЕННЯ:** Очищення страхувального стропу:

- Періодично очищуйте зовнішню сторону стропу за допомогою води та м'якого мильного розчину. Температура води не повинна перевищувати 40 °C (104 °F). Розташуйте строп так, щоб надлишок води міг стікати. Не застосовуйте хімічну чистку. Не прасуйте. Очищуйте ярлики відповідно до вимог.
- Прополощіть і ретельно просушіть на повітрі. Не сушіть за допомогою високої температури.

Використовуйте мийний засіб без відбілювача для чищення страхувальних строп. НЕ ДОЗВОЛЯЄТЬСЯ використовувати пом'якшувач для тканин або антистатика при чищенні та сушінні страхувальних строп.

**6.2 РЕМОНТ:** Страхувальні стропи не підлягають ремонту. Якщо страхувальний строп зазнав будь-якого пошкодження чи впливу сил при падінні, або якщо під час перевірки виявлено небезпечний або ненормальний стан стропу, його слід негайно вилучити з експлуатації та утилізувати.

**6.3 ЗБЕРІГАННЯ/ТРАНСПОРТУВАННЯ:** Зберігайте та перевозьте страхувальний строп у прохолодному сухому чистому місці без впливу прямих сонячних променів. Уникайте місць із можливими хімічними випарами. Ретельно оглядайте строп після кожного періоду тривалого зберігання.

## 7.0 ЯРЛИКИ

На мал. 8 зображені ярлики на страхувальних стропках та їхнє розташування. На стропі мають бути всі ярлики - див. рис. 1.

Інформація на кожному ярлику має включати:

Див. мал. 8:	Опис:
①	Номер моделі
②	Серійний номер
③	Номер партії
④	Адреса виробника
⑤	Див. інструкції
⑥	Європейський стандарт
⑦	Див. інструкції
⑧	Номер повноважного органу, що перевіряє відповідність
⑨	Довжина
⑩	Місяць виробництва
⑪	Рік виробництва
⑫	Веб-адреса виробника
⑬	Діаметр канату
⑭	Вантажопідйомність



## GLOBAL PRODUCT WARRANTY

### ГЛОБАЛНА ПРОДУКТОВА ГАРАНЦИЯ, ОГРАНИЧЕНИЕ НА ВЪЗСТАНОВЯВАНЕ НА ВРЕДИТЕ И ОГРАНИЧЕНИЕ НА ОТГОВОРНОСТТА

**ГАРАНЦИЯ:** СЛЕДВАЩОТО ЗАМЕНЯ ВСИЧКИ ГАРАНЦИИ ИЛИ УСЛОВИЯ, ИЗРИЧНИ ИЛИ КОСВЕНИ, ВКЛЮЧИТЕЛНО КОСВЕНИ ГАРАНЦИИ ИЛИ УСЛОВИЯ ЗА ТЪРГОВИЯ ИЛИ ПРИГОДНОСТ ЗА ОПРЕДЕЛЕНА ЦЕЛ.

Освен ако не е посочено друго в местното законодателство, продуктите на 3M за защита от падане имат гаранция срещу производствени дефекти в изработката и на материалите за период от една година от датата на монтажа или първата употреба от първоначалния собственик.

**ОГРАНИЧЕНИЕ НА ВЪЗСТАНОВЯВАНЕ НА ВРЕДИТЕ:** След писмено уведомление до 3M, 3M ще поправи или замени всеки продукт, за който 3M прецени, че има производствен дефект в изработката или на материалите. 3M си запазва правото да изиска връщането на продукт до завод на производителя за оценка на гаранционните претенции. Тази гаранция не покрива повреда на продукта поради износване, злоупотреба, неправилна употреба, повреда при транспорт, неправилна поддръжка на продукта или друга повреда извън контрола на 3M. Само 3M ще взема решение за състоянието на продукт и възможностите за гаранция.

Тази гаранция се прилага само за първоначалния купувач и е единствената приложима гаранция за продукти на 3M за защита от падане. При нужда от помощ, моля, свържете се с отдела за обслужване на клиенти на 3M за Вашия регион.

**ОГРАНИЧЕНИЕ НА ОТГОВОРНОСТТА:** ДО СТЕПЕНТА, РАЗРЕШЕНА ОТ МЕСТНОТО ЗАКОНОДАТЕЛСТВО, 3M НЕ НОСИ ОТГОВОРНОСТ ЗА НИКАКВИ КОСВЕНИ, СЛУЧАЙНИ, СПЕЦИАЛНИ ИЛИ ПОСЛЕДВАЩИ ПОВРЕДИ, ВКЛЮЧИТЕЛНО, НО БЕЗ ДА СЕ ОГРАНИЧАВА ДО ЗАГУБА НА ПЕЧАЛБИ, СВЪРЗАНИ ПО КАКЪВТО И ДА Е НАЧИН С ПРОДУКТИТЕ, НЕЗАВИСИМО ОТ ПРЕДЯВЕНОТО ПРАВНО ОСНОВАНИЕ.

BG

### GLOBÁLNÍ ZÁRUKA NA VÝROBEK, OMEZENÉ OPRAVNÉ PROSTŘEDKY A OMEZENÍ ODPOVĚDNOSTI

**ZÁRUKA:** NÁSLEDUJÍCÍ ZÁRUKA NAHRAZUJE VEŠKERÉ ZÁRUKY NEBO PODMÍNKY, AŽ JIŽ VÝSLOVNÉ NEBO IMPLICITNÍ, A TO VČETNĚ IMPLICITNÍCH ZÁRUK NEBO PODMÍNEK PRODEJNOSTI NEBO VHODNOSTI PRO DANÝ ÚČEL.

Nestanoví-li místní zákony jinak, vztahuje se tato záruka na výrobky společnosti 3M pro ochranu proti pádu na tovární vady ve zpracování a materiálech po dobu jednoho roku ode dne instalace nebo prvního použití původním majitelem.

**OMEZENÉ OPRAVNÉ PROSTŘEDKY:** Společnost 3M na základě písemného upozornění poslaného společnosti 3M opraví nebo nahradí jakýkoli výrobek, u něhož společnost 3M shledá tovární vadu ve zpracování nebo materiálech. Společnost 3M si vyhrazuje právo požadovat, aby byl výrobek vrácen do jejího zařízení pro posouzení záručních reklamací. Tato záruka se netýká poškození výrobku z důvodu opotřebení, zneužití, nesprávného použití, poškození při přepravě, neprovádění údržby výrobku nebo jiných škod, které jsou mimo kontrolu společnosti 3M. Společnost 3M bude výhradním posuzovatelem stavu výrobku a možností záruky.

Tato záruka se vztahuje pouze na původního kupujícího a jedná se o jedinou záruku, která se vztahuje na výrobky společnosti 3M pro ochranu proti pádu. Potřebujete-li pomoci, obraťte na oddělení zákaznických služeb společnosti 3M ve svém regionu.

**OMEZENÍ ZÁRUKY:** V ROZSAHU POVOLENÉM MÍSTNÍMI ZÁKONY NEODPOVÍDÁ SPOLEČNOST 3M ŽÁDNÝM ZPŮSOBEM ZA ŽÁDNÉ NEPŘÍMÉ, NÁHODNÉ, ZVLÁŠTNÍ ČI NÁSLEDNÉ ŠKODY, A TO MIMO JINÉ VČETNĚ UŠLÉHO ZISKU, KTERÉ SE TÝKAJÍ VÝROBKŮ, BEZ OHLEDU NA UPLATNĚNÝ PRÁVNÍ VÝKLAD.

CS

### GLOBAL PRODUKTGARANTI, BEGRÆNSEDE RETSMIDLER OG BEGRÆNSNING AF GARANTIFORPLIGTELSE

**GARANTI:** FØLGENDE ERSTATTER ALLE GARANTIER ELLER BETINGELSER, UDTRYKKELIGE ELLER UNDERFORSTÅEDE, HERUNDER DE UNDERFORSTÅEDE GARANTIER ELLER BETINGELSER FOR SALGBARHED ELLER EGNETHED TIL ET SPECIFIKT FORMÅL.

Bortset fra hvad der sikres ved gældende love, er 3M's produkter til faldsikring omfattet af en garanti mod fabriksdefekter i den håndværksmæssige udførelse og materialer i en periode på et år fra installationsdatoen eller den første ejers ibrugtagningsdato.

**BEGRÆNSEDE RETSMIDLER:** Ved skriftlig henvendelse til 3M vil 3M reparere eller erstatte ethvert produkt, der af 3M vurderes at have en fabriksdefekt i den håndværksmæssige udførelse eller materialer. 3M forbeholder sig ret til at kræve produktet returneret til dets anlæg for at vurdere krav om garanti. Denne garanti dækker ikke skade på produktet slid, misbrug, forkert brug, transportskade, manglende vedligeholdelse af produktet eller anden skade uden for 3M's kontrol. 3M vil alene fastslå produktets tilstand og mulighederne for garanti.

Denne garanti gælder kun for den oprindelige køber og er den eneste garanti gældende for 3M's produkter til faldsikring. Kontakt venligst 3M's kundeserviceafdeling i dit område for at få hjælp.

**BEGRÆNSNING AF GARANTIFORPLIGTELSE:** I DEN UDSTRÆKNING DET TILLADES AF LOKALE LOVE ER 3M IKKE ANSVARLIG FOR NOGEN INDIREKTE, TILFÆLDIGE, SPECIELLE ELLER PÅFØLGENDE SKADER, HERUNDER MEN IKKE BEGRÆNSET TIL TAB AF FORTJENESTE, DER PÅ NOGEN MÅDE ER RELATERET TIL PRODUKTERNE UANSET DEN UDLAGTE JURIDISKE TEORI.

DA



## GLOBAL PRODUCT WARRANTY

### Globale Produktgarantie, Beschränktes Rechtsmittel und Haftungsbeschränkung

**GARANTIE:** FOLGENDES GILT STELLVERTRETEND FÜR ALLE GARANTIEEN ODER BEDINGUNGEN, EINSCHLIESSLICH STILLSCHWEIGEND ANGENOMMENER GARANTIEEN ODER BEDINGUNGEN HINSICHTLICH DER TAUGLICHKEIT ODER EIGNUNG FÜR EINEN BESTIMMTEN ZWECK.

Soweit gesetzlich nicht anders vorgeschrieben, werden bei 3M-Produkten für die Absturzsicherung werksseitige Mängel bei Verarbeitung und Material für einen Zeitraum von einem Jahr ab dem Datum der Installation oder der erstmaligen Benutzung durch den ursprünglichen Eigentümer garantiert.

**BESCHRÄNKTES RECHTSMITTEL:** Nach schriftlicher Mitteilung an 3M wird 3M jedes Produkt ersetzen oder austauschen, bei dem durch 3M ein werksseitiger Material- oder Verarbeitungsfehler festgestellt wird. 3M behält sich das Recht vor, die Rücksendung des Produkts an das Werk zur Beurteilung der Garantieansprüche zu verlangen. Unter dieser Garantie sind keine Schäden am Produkt gedeckt, die auf Verschleiß, Missbrauch, Transportschäden, Versäumnis der Instandhaltung des Produkts oder sonstige außerhalb der Kontrolle von 3M liegende Schäden zurückzuführen sind. 3M trifft allein die Entscheidung über Produktzustand und Garantieoptionen.

Diese Garantie gilt ausschließlich für den ursprünglichen Käufer und ist die einzige, die für Absturzsicherungsprodukte von 3M maßgeblich ist. Kontaktieren Sie bitte die Kunden-Service-Abteilung, um Unterstützung zu erhalten.

**HAFTUNGSBESCHRÄNKUNG:** SOWEIT NACH GELTENDEM RECHT ZULÄSSIG, IST 3M NICHT HAFTBAR FÜR UNMITTELBARE, MITTELBARE, BESONDERE SCHÄDEN ODER FOLGESCHÄDEN JEDER ART, EINSCHLIESSLICH VON VERLUST VON GEWINN, DER IM ZUSAMMENHANG MIT DEN PRODUKTEN ENTSTEHT, UNGEACHTET DER ANGEFÜHRTEN RECHTSTHEORIE.

DE

### Παγκόσμια Εγγύηση Προϊόντος, Περιορισμένη Αποκατάσταση και Περιορισμός Ευθύνης

**ΕΓΓΥΗΣΗ:** ΤΑ ΑΚΟΛΟΥΘΑ ΑΝΤΙΚΑΘΙΣΤΟΥΝ ΟΛΕΣ ΤΙΣ ΕΓΓΥΗΣΕΙΣ Η ΠΡΟΫΠΟΘΕΣΕΙΣ, ΡΗΤΕΣ Η ΣΙΩΠΗΡΕΣ, ΣΥΜΠΕΡΙΛΑΜΒΑΝΟΜΕΝΩΝ ΤΩΝ ΣΙΩΠΗΡΩΝ ΕΓΓΥΗΣΕΩΝ Η ΠΡΟΫΠΟΘΕΣΕΩΝ ΕΜΠΟΡΕΥΣΙΜΟΤΗΤΑΣ Η ΚΑΤΑΛΛΗΛΟΤΗΤΑΣ ΓΙΑ ΣΥΓΚΕΚΡΙΜΕΝΟ ΣΚΟΠΟ.

Εκτός και αν ορίζεται διαφορετικά από την τοπική νομοθεσία, τα προϊόντα προστασίας από πτώση της 3M καλύπτονται από εγγύηση για τυχόν ελαττώματα λόγω κακοτεχνίας και υλικών για χρονική περίοδο ενός έτους από την ημερομηνία της εγκατάστασης ή της πρώτης χρήσης από τον πρώτο ιδιοκτήτη.

**ΠΕΡΙΟΡΙΣΜΕΝΗ ΑΠΟΚΑΤΑΣΤΑΣΗ:** Κατόπιν γραπτής ειδοποίησης στην 3M, η 3M θα επιδιορθώσει ή θα αντικαταστήσει οποιοδήποτε προϊόν κρίθηκε από την 3M ότι παρουσιάζει εργοστασιακό ελάττωμα λόγω κακοτεχνίας ή υλικών. Η 3M διατηρεί το δικαίωμα να απαιτήσει την επιστροφή του προϊόντος στις εγκαταστάσεις της για αξιολόγηση των αξιώσεων εγγύησης. Αυτή η εγγύηση δεν καλύπτει βλάβες προϊόντων λόγω φθοράς, κατάχρησης, κακής χρήσης, ζημίας κατά τη μεταφορά, αποτυχίας συντήρησης του προϊόντος ή άλλης βλάβης πέραν του ελέγχου της 3M. Η 3M θα αποτελεί τον μοναδικό κριτή της κατάστασης του προϊόντος και των επιλογών εγγύησης.

Αυτή η εγγύηση ισχύει μόνο για τον αρχικό αγοραστή και είναι η μόνη εγγύηση που ισχύει για τα προϊόντα προστασίας από πτώση της 3M. Παρακαλούμε επικοινωνήστε με το τμήμα εξυπηρέτησης πελατών της 3M της περιοχής σας για βοήθεια.

**ΠΕΡΙΟΡΙΣΜΟΣ ΤΗΣ ΕΥΘΥΝΗΣ:** ΣΤΟΝ ΒΑΘΜΟ ΠΟΥ ΕΠΙΤΡΕΠΕΤΑΙ ΑΠΟ ΤΗΝ ΤΟΠΙΚΗ ΝΟΜΟΘΕΣΙΑ, Η 3M ΔΕΝ ΕΙΝΑΙ ΥΠΕΥΘΥΝΗ ΓΙΑ ΤΥΧΟΝ ΕΜΜΕΣΕΣ, ΑΠΡΟΒΛΕΠΤΕΣ, ΕΙΔΙΚΕΣ Η ΕΠΑΚΟΛΟΥΘΕΣ ΖΗΜΙΕΣ ΠΟΥ ΠΕΡΙΛΑΜΒΑΝΟΥΝ, ΑΛΛΑ ΔΕΝ ΠΕΡΙΟΡΙΖΟΝΤΑΙ ΣΕ ΑΠΩΛΕΙΑ ΚΕΡΔΩΝ ΠΟΥ ΣΧΕΤΙΖΕΤΑΙ ΜΕ ΟΠΟΙΟΝΔΗΠΟΤΕ ΤΡΟΠΟ ΜΕ ΤΑ ΠΡΟΪΟΝΤΑ ΑΣΧΕΤΩΣ ΤΗΣ ΝΟΜΙΚΗΣ ΘΕΩΡΙΑΣ ΠΟΥ ΠΡΟΒΑΛΛΕΤΑΙ.

EL

### Garantía Global de Producto, Compensación Limitada y Limitación de Responsabilidad

**GARANTÍA:** LAS SIGUIENTES DISPOSICIONES PREVALECERÁN SOBRE CUALQUIER GARANTÍA O CONDICIÓN, EXPRESA O IMPLÍCITA, INCLUIDAS LAS CONDICIONES O GARANTÍAS IMPLÍCITAS DE COMERCIABILIDAD O IDONEIDAD PARA UN FIN ESPECÍFICO.

Salvo que la legislación local estipule lo contrario, los productos de protección contra caídas de 3M están garantizados contra defectos de fabricación de mano de obra y materiales durante un periodo de un año a partir de la fecha de instalación o del primer uso por parte del propietario original.

**COMPENSACIÓN LIMITADA:** Tras recibir comunicación por escrito, 3M reparará o sustituirá los productos que considere que tienen un defecto de fabricación de mano de obra o materiales. 3M se reserva el derecho a solicitar la devolución del producto a sus instalaciones para evaluar las reclamaciones de garantía. Esta garantía no cubre los daños en el producto resultantes de desgaste, mal uso, uso indebido, daños durante el tránsito, mantenimiento inapropiado del producto o daños que escapen al control de 3M. 3M será el único con derecho a determinar el estado del producto y las opciones de garantía.

Esta garantía puede ser utilizada únicamente por el comprador original y es la única que cubre los productos de protección contra caídas de 3M. Si necesita ayuda, póngase en contacto con el departamento de servicios de atención al cliente de 3M.

**LIMITACIÓN DE RESPONSABILIDAD:** EN LA MEDIDA QUE LO PERMITA LA LEGISLACIÓN LOCAL, 3M NO SE RESPONSABILIZARÁ DE LOS DAÑOS INDIRECTOS, FORTUITOS, ESPECIALES O RESULTANTES, INCLUIDA LA PÉRDIDA DE GANANCIA, RELACIONADOS DE MANERA ALGUNA CON LOS PRODUCTOS, INDEPENDIENTEMENTE DE LOS FUNDAMENTOS LEGALES QUE SE ALEGUEN.

ES

## GLOBAL PRODUCT WARRANTY

### ÜLEMAAILMNE TOOTEGARANTII, PIIRATUD HEASTAMISVAHENDID JA PIIRATUD VASTUTUS

**GARANTII.** JÄRGMINE ESITATAKSE IGASUGUSTE OTSESTE VÕI KAUDSETE GARANTIIDE VÕI TINGIMUSTE ASEMEEL, SEALHULGAS KAUDSETE GARANTIIDE VÕI TINGIMUSTE ASEMEEL MÜÜDAVUSE SUHTES VÕI SOBIVUSE SUHTES TEATAVAKS OTSTARBEKS.

Kui kohalike õigusnormidega ei ole teisi ette nähtud, antakse kukkumiskaitsetoodetele 3M garantii tehases tekkinud teostus- ja materjalidefektide suhtes üheks aastaks alates algse omaniku poolse paigaldamise või esmakordse kasutamise kuupäevast.

**PIIRATUD HEASTAMISVAHEND.** Pärast kirjaliku teate laekumist 3M-le remondib või vahetab 3M toote, millel on 3M hinnangul tehases tekkinud teostus- või materjalidefekt. 3M jätab endale õiguse nõuda toote tagastamist oma ettevõttele garantiinõuete hindamiseks. See garantii ei hõlma kulumisest, kuritarvitamisest, väärast kasutamisest või transpordi käigus või ebapiisavast hooldusest tekkinud kahjustusi ega muid kahjustusi, mis 3M kontrollile ei allu. 3M-l on ainuotsustusõigus toote seisukorra ja garantiivõimaluste kohta.

See garantii kehtib ainult algsele ostjale ning on ainus kukkumiskaitsetoodetele 3M kohaldatav garantii. Abi saamiseks võtke ühendust 3M-i oma piirkonna klienditeenindusosakonnaga.

**PIIRATUD VASTUTUS.** KUI SEE ON KOHALIKE ÕIGUSAKTIDEGA LUBATUD, EI VASTUTA 3M TOODETEGA MINGIL VIISIL SEOTUD KAUDSETE, JUHUSLIKE, ERILISTE EGA JÄRELDUSLIKE KAHJUDE EEST, SEALHULGAS KASUMI KAOTAMISE EEST, OLENEMATA VÄIDETAVAST TEOREETILISEST ALUSEST.

ET

### GLOBALI TUOTETAKUU, RAJATTU KORVAUS JA VASTUUNRAJOITUS

**TAKUU:** SEURAAVA ON LAADITU KAIKKIEN SUORIEEN TAI EPÄSUORIEEN TAKUIDEN TAI EHTOJEN SIJAAN, MUKAAN LUKIEN EPÄSUORAT TAKUUT MYYNTIKELPOISUUDESTA TAI SOPIVUUDESTA TIETTYYN TARKOITUKSEEN.

Ellei muutoin paikallisissa laeissa säädetä, 3M-putoamisenestotuotteilla on yhden vuoden takuu valmistusvirheitä ja materiaalivirheitä koskien asennuspäivästä tai alkuperäisen käyttäjän ensimmäisestä käyttöpäivästä alkaen.

**RAJATTU KORVAUS:** Kirjallisella 3M:lle lähetetyllä ilmoituksella 3M korjaa tai vaihtaa kaikki tuotteet, joissa on 3M:n määrittelemä valmistus- tai materiaalivirhe. 3M pidättää oikeuden vaatia tuotetta palautettavaksi tehtaalle takuuvaatimusten arvioimiseksi. Tämä takuu ei kata kulumisesta, tuotteen väärinkäytöstä, kuljetusvahingoista tai tuotteen epäonnistuneesta huollosta aiheutunutta vauriota tai muuta vauriota, johon 3M ei pysty vaikuttamaan. Tuotteen kunnosta ja takuuvaihtoehtoista päätöksen tekee ainoastaan 3M.

Tämä takuu koskee vain alkuperäistä ostajaa, ja sitä sovelletaan ainoastaan 3M:n putoamisenestotuotteisiin. Ota yhteyttä paikalliseen 3M:n asiakaspalveluun saadaksesi apua.

**VASTUUNRAJOITUS:** PAIKALLISTEN LAKIEN SALLIMISSA MÄÄRIN 3M EI OLE VASTUUSSA MISTÄÄN EPÄSUORASTA, SATTUMANVARAISESTA, ERITYISESTÄ TAI AIHEUTUNEESTA VAHINGOSTA, MUKAAN LUKIEN, MUTTA SIIHEN KUITENKAAN RAJOITTUMATTA, TUOTTOJEN MENETTÄMINEN, MILLÄÄN TAVALLA TUOTTEISIIN LIITTYEN OIKEUSTEORIASTA HUOLIMATTA.

FI

### GARANTIE PRODUIT INTERNATIONALE, RECOURS LIMITÉ ET LIMITATION DE LA RESPONSABILITÉ

**GARANTIE :** LES DISPOSITIONS SUIVANTES SONT PRISES EN LIEU ET PLACE DE TOUTES LES GARANTIES OU CONDITIONS, EXPRESSES OU IMPLICITES, Y COMPRIS LES GARANTIES OU CONDITIONS IMPLICITES DE QUALITÉ MARCHANDE OU D'ADAPTATION À UN USAGE SPÉCIFIQUE.

À moins d'un conflit avec une législation locale, les produits antichute de 3M sont garantis contre les défauts de fabrication en usine et de matériaux pendant une période d'un an à compter de la date d'installation ou de la première utilisation par le propriétaire initial.

**RECOURS LIMITÉ :** Sur demande écrite à 3M, 3M s'engage à réparer ou remplacer tout produit considéré par 3M comme souffrant d'un défaut de fabrication en usine ou de matériaux. 3M se réserve le droit d'exiger que le produit lui soit retourné pour une évaluation de la réclamation au titre de la garantie. Cette garantie ne couvre pas les dommages du produit liés à l'usure, aux abus, à la mauvaise utilisation, aux dommages liés aux transports, au manque d'entretien du produit ou tout autre dommage indépendant du contrôle de 3M. 3M sera l'unique juge de la condition du produit et des options de la garantie.

Cette garantie ne s'applique qu'au propriétaire initial et elle constitue l'unique garantie s'appliquant aux produits antichute de 3M. Veuillez contacter le service à la clientèle 3M de votre région pour obtenir de l'assistance.

**LIMITATION DE LA RESPONSABILITÉ :** DANS LES MESURES PERMISES PAR LA LÉGISLATION LOCALE, 3M N'EST PAS RESPONSABLE POUR TOUT DOMMAGE INDIRECT, ACCESSOIRE, SPÉCIFIQUE OU CONSÉCUTIF, Y COMPRIS, MAIS SANS S'Y LIMITER, LA PERTE DE PROFITS, LIÉE DE QUELQUE MANIÈRE QUE CE SOIT AUX PRODUITS, MALGRÉ LA THÉORIE JURIDIQUE REVENDIQUÉE.

FR

## GLOBAL PRODUCT WARRANTY

### אחריות גלובלית, סעד מוגבל וגבול החבות על המוצר

**אחריות:** התנאים להלן באים במקום כל אחריות או תנאי שנעשו, בין אם במפורש או במרומז, לרבות כל אחריות מרומזת או תנאים של סחירות או התאמה למטרה מסוימת.

אם הוראות החוקים מקומיים אינם סותרים זאת, על מוצרי 3M להגנה בפני נפילה חלה אחריות על פגמי ייצור בעבודה ובחומרים לתקופה של שנה אחת מיום ההתקנה או השימוש הראשון על ידי הרוכש המקורי.

**סעד מוגבל:** עם קבלת הודעה בכתב מופנית ל-3M, 3M תתקן או תחליף כל מוצר שעל פי החלטת 3M יש בו פגם ייצור בעבודה או בחומרים. 3M שומרת לעצמה זכות לדרוש את החזרת המוצר למתקן שלה לצורך הערכת תביעות אחריות. אחריות זאת אינה מכסה נזקים למוצר בגין בלאי, שימוש לרעה, שימוש בלתי הולם, נזקים במעבר, אי-מתן תחזוקה למוצר או כל נזק אחר שמעבר לשליטת 3M. ל-3M תהיה זכות החלטה בלעדית בנוגע למצב המוצר ולחלופות האחריות.

אחריות זאת חלה רק על הרוכש המקורי והיא מהווה אחריות הבלעדית החלה על מוצרי 3M להגנה בפני נפילה. לקבלת סיוע נא להתקשר למחלקת שירות לקוחות של 3M באזור מגוריך.

**גבול החבות:** עד לשיעור המותר על פי החוקים המקומיים, על 3M לא תחול שום חבות בגין נזק ישיר, אגבי, מיוחד או תוצאתי כלשהו, כולל אך ללא הגבלה, לגבי אבדן רווחים בכל אופן שהוא בקשר למוצרים, ללא תלות בתורת המשפט שנטען לתחולתה.

HE

### GLOBALNO JAMSTVO ZA PROIZVOD, OGRANIČENJE OBEŠTEČENJA I OGRANIČENJE ODGOVORNOSTI

**JAMSTVO:** SLJEDEĆA IZJAVA O JAMSTVU MIJENJA SVA DRUGA JAMSTVA ILI ODREDBE, IZRIČITE ILI PREŠUTNE, UKLJUČUJUĆI PREŠUTNA JAMSTVA ILI ODREDBE VEZANE UZ MOGUĆNOST PRODAJE ILI PRIKLADNOST ZA ODREĐENU NAMJENU.

Osim ako nije drugačije propisano važećim zakonima, za proizvode za zaštitu od pada tvrtke 3M daje se jamstvo u pogledu nepostojanja tvorničke pogreške u izradi ili materijalima, u trajanju od jedne godine od datuma prvog postavljanja ili prve uporabe od strane izvornog vlasnika.

**OGRANIČENO OBEŠTEČENJE:** Po prijemu pismene obavijesti, tvrtka 3M će popraviti ili zamijeniti proizvod za koji tvrtka 3M utvrdi postojanje tvorničke pogreške u izradi ili materijalima. Tvrtka 3M pridržava pravo zahtijevati povrat proizvoda u njezin pogon u svrhu procjene valjanosti jamstvenog zahtjeva. Ovim jamstvom nisu obuhvaćena oštećenja proizvoda uslijed trošenja, zlouporabe, nepravilne uporabe, oštećenja u transportu, neodržavanja te drugih oštećenja izvan kontrole tvrtke 3M. Tvrtka 3M ima isključivo pravo ocjenjivanja stanja proizvoda i jamstvenih opcija.

Ovo se jamstvo odnosi samo na izvornog kupca i jedino je jamstvo primjenjivo za proizvode za zaštitu od pada tvrtke 3M. Za pomoć, obratite se Službi za korisnike tvrtke 3M na vašem području.

**OGRANIČENJE ODGOVORNOSTI:** U NAJVEĆEM ZAKONOM DOPUŠTENOM OPSEGU, TVRTKA 3M NE SNOSI ODGOVORNOST ZA BILO KAKVE NEIZRAVNE, SLUČAJNE, POSEBNE ILI POSLJEDIČNE ŠTETE UKLJUČUJUĆI, BEZ OGRANIČENJA, GUBITAK PROFITA, VEZANE UZ PROIZVOD, NEOVISNO O MJERODAVNOM PRAVU.

HR

### GLOBALIS TERMÉKGARANCIA, KORLÁTOZOTT JÓTÁLLÁS ÉS A FELELŐSSÉG KORLÁTOZÁSA

**GARANCIA:** EZ A GARANCIA MINDEN KIFEJEZETT VAGY VÉLELMEZETT GARANCIA VAGY FELTÉTEL HELYÉBE LÉP, BELEÉRTVE AZ ELADHATÓSÁGRA ÉS EGY MEGHATÁROZOTT CÉLRA VALÓ ALKALMASSÁGRA VONATKOZÓ VÉLELMEZETT GARANCIÁT VAGY FELTÉTelt IS.

Hacsak a helyi jogszabályok másként nem rendelkeznek, a 3M zuhanásgátló termékekre 1 év garanciát biztosítanak anyagi és gyártási hibák esetén, a termékek felszerelésének dátumától vagy az eredeti tulajdonos első használatának napjától számítva.

**KORLÁTOZOTT JÓTÁLLÁS:** A 3M írásos értesítésével, a 3M bármely, a 3M által megállapított anyagi és gyártási hibával rendelkező termék javítására vagy cseréjére kötelezi magát. A 3M fenntartja a jogot arra, hogy igényelje a termék visszajuttatását annak gyártási helyére a garanciaigény értékelésének céljából. A garancia nem terjed ki a termék kopására vagy nem megfelelő használatra, a szállítási sérülésekre, a fenntartási hiányosságokra vagy egyéb, a 3M-nek nem felróható okok miatt fellépő meghibásodásokra. A 3M saját maga dönti el termék állapotát és garanciális lehetőségeit.

Ez a garancia kizárólag az eredeti vásárlóra terjed ki és a 3M zuhanásgátló termékeire ez az egyetlen érvényben lévő garancia. Támogatásért forduljon a 3M regionális ügyfélszolgálati részlegéhez.

**A FELELŐSSÉG KORLÁTOZÁSA:** A 3M NEM FELEL SEMMILYEN KÖZVETETT, VÉLETLEN, SPECIÁLIS VAGY KÖVETKEZMÉNYI KÁRÉRT, BELEÉRTVE, DE NEM KIZÁRÓLAG, A PROFITVESZTÉSBŐL SZÁRMAZÓ KÁROKAT, A JOGSZABÁLYOK ÁLTAL BIZTOSÍTOTT KERETEKEN BELÜL A JOGELMÉLETRE VALÓ TEKINTET NÉLKÜL.

HU

**GLOBAL PRODUCT WARRANTY**

**ALÞJÓÐLEG VÖRUÁBYRGÐ, TAKMÖRKUÐ ÚRRÆÐI OG TAKMARKANIR ÁBYRGÐAR**

**ÁBYRGÐ:** EFTIRFARANDI ER FRAM SETT Í STAÐINN FYRIR HVERS KYNS SKILYRÐI EÐA ÁBYRGÐIR, YFIRLÝSTAR EÐA GEFNAR Í SKYN, Þ.M.T. ÁBYRGÐIR EÐA SKILYRÐI UM SÖLUHÆFNI EÐA HÆFNI Í TILTEKNUM TILGANGI.

Nema að kveðið sé á um annað í staðbundnum lögum, eru fallverndarvörur 3M í ábyrgð gagnvart verksmiðjugöllum handverks og hráefna í eitt ár frá dagsetningu uppsetningar eða fyrstu notkunar upphaflegs eiganda.

**TAKMÖRKUÐ ÚRRÆÐI:** Að fenginni skriflegri tilkynningu til 3M, mun 3M gera við eða endurnýja allar vörur sem ákveðið er af 3M að hafi verksmiðjugalla hvað varðar handverk eða hráefni. 3M áskilur sér rétt til að krefjast þess að vörinni sé skilað í aðstöðu fyrirtækisins svo meta megi ábyrgðarkröfuna. Þessi ábyrgð nær ekki yfir vöruskemmdir vegna slits, slæmrar meðferðar, misnotkunar, skemmda í flutningum, misbrests á viðhaldi vörunnar, eða annarra skemmda sem ekki er í valdi 3M að hafa stjórn á. 3M mun dæma ástand vörunnar að eigin geðþótta og kosti varðandi ábyrgð.

Þessi ábyrgð nær aðeins til upphaflegs kaupanda og er aðeins ábyrgð sem á við um fallverndarvörur 3M. Vinsamlegast hafðu samband við deild viðskiptavinapjónustu hjá 3M á þínu svæði til að fá aðstoð.

**TAKMÖRKUN ÁBYRGÐAR:** AÐ ÞVÍ MARKI SEM HEIMILAÐ ER AF STAÐBUNNUM LÖGUM ÞÁ ER 3M EKKI ÁBYRGT FYRIR NEINUM ÓBEINUM, TILFALLANDI, TILTEKNUM EÐA AFLEIDDUM SKEMMDUM, Þ.M.T. EN EKKI TAKMARKAÐ VIÐ, HAGNAÐARTAP, SEM Á NOKKURN HÁTT TENGIST VÖRUNNI, SAMA HVAÐ LAGATILGÁTUR ER STUÐST VIÐ.

**IS**

**GARANZIA GLOBALE SUL PRODOTTO, RIMEDIO LIMITATO E LIMITAZIONE DI RESPONSABILITÀ**

**GARANZIA:** LA SEGUENTE GARANZIA SOSTITUISCE TUTTE LE GARANZIE O CONDIZIONI, ESPRESSE O IMPLICITE, COMPRESI LE GARANZIE O CONDIZIONI IMPLICITE DI COMMERCIALITÀ O IDONEITÀ PER UN PARTICOLARE SCOPO.

Salvo ove diversamente specificato dalle leggi locali, i prodotti di protezione anticaduta 3M sono garantiti da difetti di fabbricazione e dei materiali per un periodo di un anno dalla data di installazione o di primo utilizzo da parte del proprietario originale.

**RIMEDIO LIMITATO:** previa comunicazione scritta a 3M, 3M riparerà o sostituirà qualsiasi prodotto in cui 3M avrà individuato un difetto di fabbricazione o dei materiali. 3M si riserva il diritto di richiedere la restituzione del prodotto all'impianto per la valutazione della richiesta di risarcimento in garanzia. La presente garanzia non copre i danni al prodotto causati da usura, abuso, utilizzo errato, trasporto o mancata manutenzione del prodotto o altri danni avvenuti fuori dal controllo di 3M. 3M è la sola che potrà giudicare le condizioni del prodotto e le opzioni di garanzia.

La presente garanzia è valida solo per l'acquirente originale ed è l'unica applicabile ai prodotti di protezione anticaduta 3M. Per assistenza, contattare il Servizio Clienti di 3M della propria area.

**LIMITAZIONE DI RESPONSABILITÀ:** NELLA MISURA CONSENTITA DALLE LEGGI LOCALI, 3M NON RISPONDE DI EVENTUALI DANNI INDIRETTI, INCIDENTALI, SPECIALI O CONSEGUENZIALI COMPRESI, SENZA LIMITAZIONE, DANNI PER PERDITA DI PROFITTO, IN QUALSIASI MODO COLLEGATI AI PRODOTTI INDIPENDENTEMENTE DALLA TEORIA LEGALE ASSERITA.

**IT**

**Þróduþjótis glogbálurri garranþia, þaraliss nanillobriþi anablauraba ða þasubissmgeblobiss þebulubva**

**garranþia:** moþemulri garranþia þaanavcvglobub yvgvla sbva, sbvgialur an nagulissbmev garranþiasa ða þirrobab, þat þorris komevgiulri gamoþyeneþissatogiss varvgissianrobiss an raibþe kvnkveþulri miþnissatogiss varvgissianrobiss garranþieþub.

garrða im þemþbvgvgissa, rogva es sbvagvgarrð ariss miþiþeþulri aþgillobriþ kvnonþþi, 3M-iss varðnisagann ðavvgiss þróþueþeþias gaarþina eruþnliarini garranþia ðamþaðeþiss þarissbissa ða masaliss ðeþeþeþebiss miþmarþ, romelovg ðalabþia ðamonnþaþeþiss þarilvðan an þirvgvli momþmarþebuliss mevr gamoþyeneþiðan.

**þaraliss nanillobriþi anablauraba:** 3M-issatogiss nvrillobriþi þeþyobþneþiss þemþeþe 3M þeþakveþubub an gamoþvgvlobiss neþissmevr im þróþueþeþub, romelulag 3M miþrþnevg þarþnþulri ðamþaðeþiss an masaliss ðeþeþeþebiss þeþneþe. 3M inarþþneþub þróþueþeþebiss sakvþar vgnþrþþi ðabþrþneþebiss moþþobvgneþiss ugvlubab sagarranþeþio moþþobvgneþebiss þeþsafasþeþublað. moþemulri garranþieþiss moþþeþeþeþa ar þeivagvab þróþueþeþebiss ðabþianþeþab vvgvþiss, þorogþað gamoþyeneþebiss, arasþatanaðlo moþyþrobþiss, þranþþiþþi ðabþianþebiss, þróþueþeþebiss vvgvði movgva-þþenabþebiss an sbva ðabþianþebiss gamo, romelovg 3M-iss kvnkþrolulss miðma moþþað. gaðanþyvgvþeþeþeþebab þróþueþeþebiss þðgombareþobabba ða garranþieþiss varriarþeþþan ðakvabþirþeþiþ miðleþub þþolovð 3M.

moþemulri garranþia þeþeþeþa þþolovð þirvgvlu meivðvgvub ða þþolovð 3M-iss varðnisagann ðavvgiss þróþueþeþebiss. ðabþarþeþebissþogiss ðaukvabþirðeþiþ 3M-iss ðabþarþebiss samþasþvubub þeþvgneþub rvgvgvnonþþi.

**þasubissmgeblobub þebulubva:** aþgillobriþi kvnonþþebiss moþþeþeþebiss þarvgvlubþþi 3M ar ariss þasubissmgeblobulri raibþe imþþe, þemþbvgvgvþiþ, sbvgialur an meovrad ðabþianþeþabþe, þat þorris (magrab amþiþ ar þemþovvfarvgvþeþa) þróþueþeþebissþan ðakvabþirþeþiþ þemþosvgvliss raibþe gþiþ ðakvargvgvþeþeþeþeþulri ivurivðeþulri norþmeþebiss miþþeðavðað.

**KA**

## GLOBAL PRODUCT WARRANTY

### PASAULINĖ GAMINIO GARANTIJA, RIBOTOJI KOMPENSACIJA IR ATSAKOMYBĖS APRIBOJIMAS

**GARANTIJA** ŠIOMIS NUOSTATOMIS PAKEIČIAMOS VISOS IŠREIKŠTOS ARBA NUMANOMOS GARANTIJOS AR SĄLYGOS, ĮSKAITANT NUMANOMAS GARANTIJAS AR SĄLYGAS DĖL PERKAMUMO AR TINKAMUMO KONKREČIAM TIKSLUI.

Jeigu kitaip nenumatyta vietos teisės aktais, „3M“ apsaugos nuo kritimo gaminiams vienu metų laikotarpiui nuo įrengimo arba pirmojo pradinio savininko panaudojimo datos taikoma garantija dėl gamybos ir medžiagų defektų.

**RIBOTOJI KOMPENSACIJA** Gavusi rašytinį pranešimą „3M“ pataisys arba pakeis bet kokį gaminį, kurį nustatys turėjus gamybos arba medžiagų defektų. „3M“ pasilieka teisę reikalauti, kad gaminys būtų gražintas į jos gamyklą garantinėms pretenzijoms įvertinti. Ši garantija netaikoma gaminio pažeidimui dėl dėvėjimosi, netinkamo naudojimo, apgadavimo vežant, gaminio nepriežiūros ar kitų pažeidimų, kurie nuo „3M“ nepriklauso. Tik pati „3M“ įvertins gaminio būklę ir parinks garantijos variantą.

Ši garantija skirta tik pradiniam pirkėjui ir yra vienintelė garantija, taikoma „3M“ apsaugos nuo kritimo gaminiams. Pagalbos kreipkitės į savo regiono „3M“ klientų aptarnavimo skyrių.

**ATSAKOMYBĖS APRIBOJIMAS** TIEK, KIEK LEIDŽIAMA VIETOS TEISĖS AKTAIS, „3M“ NĖRA ATSAKINGA UŽ JOKIĄ SU GAMINIU KAIP NORŠ SUSIJUSIĄ NETIESIOGINĘ, ATSTITIKINĘ, SPECIALIĄJĄ ARBA PASEKMINĘ ŽALĄ, ĮSKAITANT, BE APRIBOJIMŲ, PELNO NETEKIMĄ, NESVARBU, KOKIA TEISĖS TEORIJA BŪTŲ TAIKOMA.

LT

### GLOBALĀ PRECES GARANTĪJA, IEROBEŽOTA RĪCĪBA UN ATBILDĪBAS IEROBEŽOJUMI

**GARANTĪJA:** TĀLĀKAIS AIZVIETO VISAS GARANTĪJAS VAI NOTEIKUMUS, SKAIDRI IZTEIKTUS VAI DOMĀJAMUS, IESKAITOT DOMĀJAMĀS GARANTĪJAS VAI NOTEIKUMUS PAR ATBILSTĪBU TIRDZNIECĪBAI VAI PIEMĒROTĪBAI NOTEIKTAM NOLŪKAM.

Ja nav citādi noteikts vietējos likumos, 3M kritiena aizsardzības izstrādājumi ir garantēti pret rūpnīcas defektiem ražošanā un materiālos viena gada laikā no brīža, kad tos uzstādījās vai pirmoreiz lietojās oriģinālais pircējs.

**IEROBEŽOTA RĪCĪBA:** pēc rakstiska iesnieguma 3M, 3M salabos vai aizvietos jebkuru precī, ko 3M būs noteicis kā esošu ar rūpnīcas defektu ražošanā vai materiālos. 3M saglabā tiesības pieprasīt izstrādājuma nosūtīšanu uz tās iestādi garantijas prasību novērtēšanai. Šī garantija nesedz izstrādājuma bojājumu no nolietojuma, nepareizas lietošanas, apzināti nepareizas lietošanas, bojājuma pārsūtīšanā, nespējas apkopt izstrādājumu vai cita bojājuma, ko 3M nespēj kontrolēt. 3M pats būs vienīgais spriedējs par izstrādājuma stāvokli un garantijas iespējām.

Šī garantija attiecas tikai uz oriģinālo pircēju un ir vieniģā garantija, kas piemērojama 3M kritiena aizsardzības izstrādājumiem. Lūdzu, sazinieties ar 3M klientu apkalpošanas dienestu savā reģionā, lai saņemtu palīdzību.

**ATBILDĪBAS IEROBEŽOJUMI:** TAJĀ APJOMĀ, KĀDĀ TO ATĻAUJ VIETĒJIE LIKUMI, 3M NAV ATBILDĪGS PAR JEBKĀDU NETIEŠU, GADĪJUMA RAKSTURA, ĪPAŠU VAI IZRIETOŠU ZAUDĒJUMU, IESKAITOT, BET NEAPROBEŽOJOTIES AR PEĻŅAS ZAUDĒJUMU, JEBKĀDĀ VEIDĀ SAISTĪTU AR IZSTRĀDĀJUMIEM, NESKATOTIES UZ IZVIRZĪTO JURIDISKO TEORIJU.

LV

### GARANZIJA GLOBALI TAL-PRODOTT, RIMEDJU LIMITAT U LIMITAZZJONI TAR-RESPONSABBILTÀ

**GARANZIJA:** DAN LI ĠEJ JIEHU POST KULL GARANZIJA JEW KUNDIZZJONI, ESPLICITA JEW IMPLICITA, INKLUŽI L-GARANZIJI JEW KUNDIZZJONIJIET IMPLICITI TAL-KUMMERĊJABBILTÀ JEW L-IDONEITÀ GĦAL SKOP PARTIKOLARI.

Sakemm ma jkunx previst mod ieħor mil-liġijiet lokali, il-prodotti ta' protezzjoni kontra waqgħa mill-gholi ta' 3M għandhom garanzija rigward difetti tall-fabbrika u manifattura u fil-materjali għal perjodu ta' sena waħda mid-data tal-installazzjoni jew l-ewwel użu mis-sid originali.

**RIMEDJU LIMITAT:** Fuq avviż bil-miktub lil 3M, 3M se ssewwi jew tissostitwixxi kwalunkwe prodott li jiġi determinat minn 3M li għandu difett tall-fabbrika u manifattura jew fil-materjali. 3M tirsirva d-dritt li teħtieġ li l-prodott jiġi rritornat fil-facilità tagħha biex jiġu evalwati l-pretensjonijiet tal-garanzija. Din il-garanzija ma tkoprix ħsara lill-prodott minħabba użu, abbuż, użu ħażin, ħsara li saret waqt it-trasport, nuqqas li ssir manutenzjoni tal-prodott jew ħsara oħra li mhix fil-kontroll ta' 3M. 3M biss se tiġġudika l-kundizzjoni tal-prodott u l-għażliet tal-garanzija.

Din il-garanzija tapplika biss għax-xerrej originali u hija l-unika garanzija applikabbli għall-prodotti ta' protezzjoni kontra waqgħa mill-gholi ta' 3M. Jekk jogħġbok ikkuntattja lid-dipartiment tas-servizz tal-konsumatur ta' 3M fir-reġjun tiegħek għall-għajjnuna.

**LIMITAZZJONI TAR-RESPONSABBILTÀ:** SAL-ESTENT PERMESS MIL-LIĠIJET LOKALI, 3M MHIX RESPONSABBLI GĦAL KWALUNKWE ĦSARA INDIRETTA, INCIDENTALI, SPECJALI JEW KONSEGWENZJALI INKLUŽ, IMMA MHUX LIMITATA GĦAL TELF TA' QLIGH, RELATAT BI KWALUNKWE MOD MAL-PRODOTTI IRRISPETTIVAMENT MIT-TEORIJA LEGALI AFFERMATA.

MT

## GLOBAL PRODUCT WARRANTY

### WERELDWIJDE PRODUCTGARANTIE, BEPERKTE VERHAALSMOGELIJKHEID EN BEPERKING VAN AANSPRAKELIJKHEID

**GARANTIE:** DE VOLGENDE BEPALING VERVANGT ALLE GARANTIES OF VOORWAARDEN, EXPLICIET OF IMPLICIET, INCLUSIEF DE IMPLICIETE GARANTIES OF VOORWAARDEN VAN VERKOOPBAARHEID OF GESCHIKTHEID VOOR EEN BEPAALD DOEL.

Tenzij anders is bepaald door lokale wetgeving, zijn valbeschermingsproducten van 3M voorzien van een garantie op fabrieksfouten door fabricage- en materiaalgebreken gedurende een periode van één jaar na de datum van installatie of het eerste gebruik door de oorspronkelijke eigenaar.

**BEPERKTE VERHAALSMOGELIJKHEID:** Na schriftelijke kennisgeving aan 3M zal 3M eender welk product repareren of vervangen waarvan 3M heeft vastgesteld dat het een fabrieksfout heeft door een fabricage- of materiaalgebrek. 3M behoudt zich het recht voor om te eisen dat het product naar zijn vestiging wordt geretourneerd om garantieaanspraken te beoordelen. Deze garantie is niet van toepassing op productschade door slijtage, oneigenlijk gebruik, misbruik, transportschade, nalatigheid bij onderhoud van het product of andere schade waarover 3M geen controle heeft. 3M zal als enige oordelen over de toestand van het product en garantieopties.

Deze garantie is alleen van toepassing op de oorspronkelijke koper en is de enige garantie die van toepassing is op valbeschermingsproducten van 3M. Neem contact op met de klantendienst van 3M voor uw regio als u assistentie wenst.

**BEPERKING VAN AANSPRAKELIJKHEID:** VOOR ZOVER TOEGESTAAN DOOR LOKALE WETGEVING, IS 3M NIET AANSPRAKELIJK VOOR ENIGE INDIRECTE, INCIDENTELE, SPECIALE OF GEVOLGSCHADE, INCLUSIEF, MAAR NIET BEPERKT TOT, WINSTVERLIES, DIE OP ENIGE WIJZE VERBAND HOUDT MET DE PRODUCTEN, ONGEACHT DE RECHTSLEER DIE WORDT AANGEHAALD.

NL

### GLOBAL PRODUKTGARANTI, BEGRENSET AVHJELP OG BEGRENSNING AV ERSTATNINGSANSVAR

**GARANTI:** DET FØLGENDE KOMMER I STEDET FOR ALLE GARANTIER ELLER VILKÅR, UTTRYKKELIGE ELLER UNDERFORSTÅTTE, INKLUDERT DE UNDERFORSTÅTTE GARANTIENE ELLER VILKÅRENE OM SALGBARHET ELLER EGNETHET FOR ET BESTEMT FORMÅL.

Med mindre annet er bestemt av lokale lover, er 3Ms fallsikringsprodukter garantert mot fabrikkasjonsfeil i håndverksmessig utførelse og materialer for en periode på ett år fra installasjonsdatoen eller første bruk av den opprinnelige eieren.

**BEGRENSET AVHJELP:** Ved skriftlig melding til 3M, vil 3M reparere eller erstatte ethvert produkt som av 3M fastslås å ha en fabrikkasjonsfeil i håndverksmessig utførelse eller materialer. 3M forbeholder seg retten til å kreve at produktet blir levert tilbake til fabrikk for evaluering av garantikrav. Denne garantien dekker ikke produktskade grunnet slitasje, misbruk, skade i transitt, unnlattelse av å vedlikeholde produktet eller annen skade utenfor 3Ms kontroll. 3M vil være den eneste til å bedømme produktvilkår og garantialternativer.

Denne garantien gjelder kun den opprinnelige kjøperen og er den eneste garantien som er anvendelig for 3Ms fallsikringsprodukter. Vennligst kontakt 3Ms kundeserviceavdeling i ditt område for hjelp.

**BEGRENSNING AV ERSTATNINGSANSVAR:** I DEN UTSTREKNING DET ER TILLATT AV LOKALE LOVER, ER IKKE 3M ERSTATNINGSANSVARLIG FOR NOEN SOM HELST INDIRECTE, HENDELIGE, SPESIELLE ELLER FØLGEMESSIGE SKADER INKLUDERT, MEN IKKE BEGRENSET TIL TAP AV FORTJENESTE, PÅ NOEN SOM HELST MÅTE FORBUNDET MED PRODUKTENE, UAVHENGIG AV HVILKEN JURIDISK TEORI SOM PÅBEROPES.

NO

### GLOBALNA GWARANCJA NA PRODUKTY, OGRANICZONE ROZWIĄZANIE I OGRANICZENIE ODPOWIEDZIALNOŚCI

**GWARANCJA:** PONIŻSZE POSTANOWIENIA ZASTĘPUJĄ WSZYSTKIE GWARANCJE LUB WARUNKI, WYRAŻNE LUB DOMNIEMANE, W TYM DOMNIEMANE GWARANCJE LUB WARUNKI SPRZEDAŻY LUB PRZYDATNOŚCI DO OKREŚLONEGO CELU.

O ile lokalne prawo nie przewiduje inaczej, produkty 3M służące do ochrony przed upadkiem są objęte gwarancją na wady fabryczne, w tym wady materiałowe i wykonawcze przez okres jednego roku od daty ich montażu lub pierwszego użycia przez pierwotnego właściciela.

**OGRANICZONE ROZWIĄZANIE:** Po pisemnym powiadomieniu 3M, 3M naprawi lub wymieni produkt uznany przez 3M za wadliwy w zakresie wykonawstwa lub zastosowanych materiałów. 3M zastrzeża sobie prawo do zażądania zwrotu produktu do swojego obiektu w celu oceny roszczenia gwarancyjnego. Niniejsza gwarancja nie obejmuje uszkodzeń produktu wynikających ze zużycia, niewłaściwego użytkowania, uszkodzenia w transporcie, braku właściwej konserwacji produktu lub innych uszkodzeń będących poza kontrolą firmy 3M. 3M będzie jedyną stroną oceniającą stan produktu oraz możliwe opcje gwarancyjne.

Niniejsza gwarancja obejmuje wyłącznie pierwszego nabywcę i jest to jedyna gwarancja na produkty 3M służące do ochrony przed upadkiem. W celu uzyskania pomocy prosimy o kontakt z działem obsługi klienta firmy 3M w Państwa regionie.

**OGRANICZENIE ODPOWIEDZIALNOŚCI:** W ZAKRESIE DOZWOLONYM PRZEZ LOKALNE PRAWO, 3M NIE PONOSI ODPOWIEDZIALNOŚCI ZA JAKIEKOLWIEK POŚREDNIE, PRZYPADKOWE, NADZWYCZAJNE LUB WYNIKOWE SZKODY, W TYM, LECZ NIE WYŁĄCZNIE, UTRATY ZYSKÓW, W JAKIKOLWIEK SPOSÓB ZWIĄZANE Z PRODUKTEM, NIEZALEŻNIE OD PRZEDSTAWIONEJ PODSTAWY PRAWNEJ.

PL

## GLOBAL PRODUCT WARRANTY

### GARANTIA GLOBAL DO PRODUTO, REPARAÇÃO LIMITADA E LIMITAÇÃO DE RESPONSABILIDADE

**GARANTIA:** A SEGUINTE É FEITA EM LUGAR DE TODAS AS GARANTIAS OU CONDIÇÕES, EXPRESSAS OU IMPLÍCITAS, INCLUINDO AS GARANTIAS OU CONDIÇÕES DE COMERCIALIZAÇÃO OU ADEQUAÇÃO A UM DETERMINADO FIM.

Salvo disposição em contrário pelas leis locais, os produtos de proteção contra quedas da 3M têm garantia contra defeitos de fábrica, quer no fabrico, quer nos materiais, por um período de um ano, a partir da data de instalação ou da primeira utilização pelo proprietário original.

**REPARAÇÃO LIMITADA:** Após a notificação por escrito à 3M, a 3M irá reparar ou substituir qualquer produto que a 3M determinar ter um defeito de fábrica no fabrico ou nos materiais. A 3M reserva-se o direito de exigir que o produto seja devolvido às suas instalações para avaliação das solicitações de garantia. Esta garantia não cobre danos ao produto devidos ao desgaste, abuso, mau uso, danos durante o transporte, falha na manutenção do produto ou outros danos fora do controlo da 3M. A 3M será o único juiz da condição do produto e opções de garantia.

Esta garantia aplica-se somente ao comprador original e é a única garantia aplicável aos produtos de proteção contra quedas da 3M. Entre em contacto com o departamento de atendimento ao cliente da 3M na sua área para obter assistência.

**LIMITAÇÃO DE RESPONSABILIDADE:** NA MEDIDA DO PERMITIDO PELAS LEIS LOCAIS, A 3M NÃO SE RESPONSABILIZA POR QUAISQUER DANOS INDIRETOS, INCIDENTAIS, ESPECIAIS OU CONSEQUENTES, INCLUINDO, MAS NÃO SE LIMITANDO À PERDA DE LUCROS DE ALGUMA FORMA RELACIONADA COM OS PRODUTOS, INDEPENDENTEMENTE DA BASE LEGAL INVOCADA.

PT

### GARANȚIA GLOBALĂ APLICABILĂ PRODUSELOR, MĂSURI REPARATORII LIMITATE ȘI LIMITAREA RĂSPUNDERII

**GARANȚIE:** URMĂTOAREA GARANȚIE ÎNLOCUIEȘTE TOATE GARANȚIILE ȘI CONDIȚIILE, EXPRESE SAU IMPLICITE, INCLUSIV GARANȚIILE IMPLICITE SAU CONDIȚIILE DE VANDABILITATE SAU DE ADECVARE PENTRU UN ANUMIT SCOP.

Numai dacă nu se prevede altfel prin legislația aplicabilă, produsele 3M de protecție împotriva căderii sunt garantate în caz de defecte de fabricație, cauzate de manoperă sau de materiale, pe o perioadă de timp de un an de la data instalării sau a primei utilizări de către proprietarul original.

**MĂSURI REPARATORII LIMITATE:** La notificarea scrisă transmisă către 3M, 3M va repara sau va înlocui orice produs despre care 3M stabilește că prezintă un defect de fabricație, cauzat de manoperă sau de materiale. 3M își rezervă dreptul de a solicita ca produsul să fie returnat la unitatea sa, în vederea evaluării cererii de aplicare a garanției. Această garanție nu acoperă deteriorarea produselor cauzată de uzură, de utilizare abuzivă sau inadecvată, de avariere în tranzit, de faptul că produsul nu a fost supus operațiilor de mentenanță sau alte deteriorări ce ies din sfera de control a 3M. 3M va fi singurul care va aprecia starea produsului și opțiunile de garanție.

Această garanție i se aplică numai cumpărătorului original și este singura garanție aplicabilă produselor 3M de protecție împotriva căderii. Pentru asistență, vă rugăm să apălați departamentul 3M de Asistență clienți din regiunea dvs.

**LIMITAREA RĂSPUNDERII:** ÎN MĂSURA PERMISĂ PRIN LEGISLAȚIA LOCALĂ, 3M NU RĂSPUNDE PENTRU NICIUN FEL DE DAUNE INDIRECȚE, INCIDENTALE, SPECIALE SAU APĂRUTE PE CALE DE CONSECINȚĂ, CEEA CE INCLUDE, FĂRĂ ÎNSĂ A SE LIMITA LA PIERDEREA PROFITULUI, LEGATE ÎN ORICE MOD DE PRODUSE, INDIFERENT DE LEGISLAȚIA APLICABILĂ.

RO

### GLOBÁLNA ZÁRUKA NA PRODUKTY, OBMEDZENÁ NÁPRAVA A OBMEDZENIE ZODPOVEDNOSTI

**ZÁRUKA:** NASLEDUJÚCA ZÁRUKA NAHRÁDZA VŠETKY VÝSLOVNÉ ALEBO IMPLIKOVANÉ ZÁRUKY A PODMIENKY VRÁTANE IMPLIKOVANÝCH ZÁRUK A PODMIENOK PREDAJNOSTI ALEBO VHODNOSTI NA KONKRÉTNY ÚČEL.

Pokiaľ miestne právne predpisy neurčujú inak, na ochranné prostriedky proti pádu od spoločnosti 3M sa vzťahuje záruka na chyby spracovania a materiálov z výroby po dobu jedného roka od dátumu montáže alebo prvého použitia pôvodným vlastníkom.

**OBMEDZENÁ NÁPRAVA:** Na základe písomného oznámenia odoslaného spoločnosti 3M zaistí spoločnosť 3M opravu alebo výmenu akéhokoľvek produktu, ktorý uzná za chybný z výroby v súvislosti so spracovaním alebo materiálmi. Spoločnosť 3M si vyhradzuje právo požadovať vrátenie produktu do závodu na posúdenie nárokov na záručné krytie. Táto záruka nepokrýva poškodenie produktov spôsobené opotrebovaním, zneužívaním, nesprávnym používaním, prevozom, nevykonávaním údržby produktu či iné poškodenie mimo dosahu kontroly spoločnosti 3M. Spoločnosť 3M bude výhradným posudzovateľom stavu produktu a možností záruky.

Táto záruka sa vzťahuje iba na pôvodného nákupcu a ide o jedinú záruku, ktorú možno uplatniť na ochranné prostriedky proti pádu od spoločnosti 3M. Požiadajte o pomoc oblastné oddelenie služieb zákazníkom spoločnosti 3M.

**OBMEDZENIE ZODPOVEDNOSTI:** SPOLOČNOSŤ 3M NENESIE V ROZSAHU POVOLENOM MIESTNYMI PRÁVNymi PREDPISMI ZODPOVEDNOSŤ ZA ŽIADNE NEPRIAME, NÁHODNÉ, MIMORIADNE ANI NÁSLEDNÉ ŠKODY OKREM INÉHO VRÁTANE UŠLÝCH ZISKOV AKOKOLVEK SÚVISIACE S PRODUKTMI, A TO BEZ OHĽADU NA PRESADZOVANÚ PRÁVNÚ TEÓRIU.

SK

## GLOBAL PRODUCT WARRANTY

### GLOBALNA GARANCIJA ZA IZDELEK, OMEJENA PRAVNA SREDSTVA IN OMEJITEV ODGOVORNOSTI

**GARANCIJA:** DOKUMENT V NADALJEVANJU NADOMEŠČA VSAKRŠNE GARANCIJE ALI POGOJE, IZRECNE ALI IMPLICITNE, VKLJUČNO Z IMPLICITNIMI GARANCIJAMI IN POGOJI O PRIMERNOSTI ZA PRODAJO IN USTREZNOSTI ZA DOLOČEN NAMEN.

Če ni drugače določeno z lokalno zakonodajo, so izdelki za zaščito pred padcem 3M predmet garancije, ki pokriva tovarniške napake v izdelavi in materialih, ki velja za obdobje enega leta od datuma namestitve ali prve uporabe s strani dejanskega lastnika.

**OMEJITEV PRAVNIH SREDSTEV:** Družba 3M bo na podlagi prejetega pisnega obvestila popravila ali zamenjala kateri koli izdelek, pri katerem družba 3M ugotovi napako v izdelavi ali materialih. Družba 3M si pridržuje pravico zahtevati vračilo izdelka v tovarniški obrat za namen ocene zahtevka iz naslova garancije. Ta garancija ne zajema škode na izdelku zaradi obrabe, zlorabe, napačne uporabe, škode, ki nastane med prevozom ali zaradi pomanjkljivega vzdrževanja izdelka oziroma druge škode, na katero družba 3M nima vpliva. Le družba 3M lahko oceni stanje izdelka in možnosti iz naslova garancije.

Ta garancija velja le za dejanskega kupca in je edina veljavna garancija za izdelke za zaščito pred padcem 3M. Za pomoč se obrnite na oddelek za pomoč kupcem družbe 3M v svoji regiji.

**OMEJITEV ODGOVORNOSTI:** V OBSEGU, KI GA DOLOČA LOKALNA ZAKONODAJA, DRUŽBA 3M NE ODGOVARJA ZA MOREBITNO POSREDNO, NAKLJUČNO, POSEBNO ALI POSLEDIČNO ŠKODO, KAR MED DRUGIM VKLJUČUJE IZGUBO DOBIČKA, KI JE NA KAKRŠEN KOLI NAČIN POVEZAN Z IZDELKI, NE GLEDE NA PRAVNO TEORIJU UTEMELJITVE ZAHTEVKA.

SL

### GLOBALNA GARANCIJA PROIZVODA, OGRANIČEN PRAVNI LEK I OGRANIČENA ODGOVORNOST

**GARANCIJA:** NAVEDENA GARANCIJA JE ZAMENA ZA SVE GARANCIJE ILI USLOVE, BILO IZRIČITE ILI IMPLICITNE, UKLJUČUJUČI IMPLICITNA JEMSTVA ILI USLOVE PRODAJE ILI POGODNOST ZA ODREĐENU NAMENU.

Ukoliko nije drugačije propisano lokalnim zakonima, garancija kompanije 3M koja se odnosi na zaštitnu opremu obuhvata fabričke greške u materijalu ili prilikom izrade u periodu od jedne godine od datuma montiranja ili početka korišćenja opreme od strane prvog vlasnika, odnosno korisnika.

**OGRANIČEN PRAVNI LEK:** Nakon pismenog obraćanja kompaniji 3M, kompanija na sebe preuzima odgovornost da popravi ili zameni bilo koji proizvod za koji ustanovi da ima fabričku grešku u izradi ili materijalu. Kompanija 3M zadržava pravo da zahteva povraćaj proizvoda da bi izvršila procenu i utvrdila da li garancija važi za navedeni zahtev. Ova garancija ne obuhvata oštećenja proizvoda nastala habanjem, zloupotrebom, pogrešnom upotrebom, oštećenjima prilikom transportovanja, izostankom pravilnog održavanja ili drugih kvarova ili oštećenja nad kojima kompanija 3M nema kontrolu. Pravo je kompanije 3M da proceni u kakvom stanju se proizvod nalazi i da li garancija obuhvata navedena oštećenja.

Ova garancija važi samo za prvog kupca i to je jedina garancija koja važi za zaštitnu opremu koju proizvodi kompanija 3M. Ukoliko imate pitanja, obratite se korisničkoj službi kompanije 3M u svom regionu.

**OGRANIČENJE ODGOVORNOSTI:** U MERI U KOJOJ DOZVOLJAVAJU LOKALNI ZAKONI, KOMPANIJA 3M NIJE ODGOVORNA ZA BILO KAKVE INDIREKTNE, SLUČAJNE, POSEBNE ILI POSLEDIČNE ŠTETE UKLJUČUJUČI, BEZ OGRANIČENJA, GUBITAK PROFITA KOJI JE NA BILO KOJI NAČIN POVEZAN SA PROIZVODIMA BEZ OBZIRA NA PRAVNU OSNOVU.

SR

### GLOBAL PRODUKTGARANTI, BEGRÄNSAD KOMPENSATION OCH BEGRÄNSAD ANSVARSSKYLDIGHET

**GARANTI:** FÖLJANDE GÄLLER SOM ERSÄTTNING FÖR ALLA GARANTIER ELLER VILLKOR, UTTRYCKLIGA ELLER UNDERFÖRSTÅDDA, INKLUSIVE UNDERFÖRSTÅDDA GARANTIER ELLER VILLKOR FÖR SÄLJBARHET ELLER LÄMPLIGHET FÖR ETT VISST ÄNDAMÅL.

Såvida inte annat stipuleras i lokala lagar, garanteras 3M:s fallskyddsprodukter mot fabriktionsfel avseende tillverkning och material under en period av ett år från datum för ursprunglig ägares installation eller första användning.

**BEGRÄNSAD KOMPENSATION:** Efter skriftlig avisering till 3M, kommer 3M att reparera eller byta ut varje produkt, som av 3M fastställts vara behäftad med fabriktionsfel vad gäller tillverkning eller material. 3M förbehåller sig rätten att kräva att produkt returneras till företagets anläggning för utvärdering av garantianspråk. Denna garanti omfattar inte produktskada till följd av slitage, felaktig användning, missbruk, skada under transport, underlåtenhet att sköta produkten eller annan skada utom 3M:s kontroll. 3M är ensam bedömare av produktskick och garantialternativ.

Denna garanti avser enbart den ursprunglige köparen och är den enda garanti som gäller för 3M:s fallskyddsprodukter. Kontakta 3M:s kundtjänst avdelning i din region för assistans.

**BEGRÄNSNING AV ANSVARSSKYLDIGHET:** I DEN OMFATTNING SOM TILLÅTS AV LOKALA LAGAR, ANSVARAR 3M INTE FÖR NÅGRA INDIREKTA, OFÖRUTSÄDDA, SPECIELLA ELLER FÖLJDSKADOR, INKLUSIVE MEN INTE BEGRÄNSAT TILL FÖRLUST AV VINSTER, VILKA PÅ NÅGOT SÄTT HÄNFÖRTS TILL PRODUKTERNA, OAVSETT HÄVDAD RÄTTSLIG GRUND.

SV



## GLOBAL PRODUCT WARRANTY

### KÜRESEL ÜRÜN GARANTİSİ, SINIRLI BAŞVURU YOLU VE SORUMLULUK SINIRLAMASI

**GARANTİ:** AŞAĞIDAKİLER, ZİMNİ TİCARETE ELVERİŞLİLİK VEYA BELLİ BİR AMACA UYGUNLUK GARANTİ VE KOŞULLARI DA DÂHİL OLMAK ÜZERE, AÇIK VEYA ZİMNİ HER TÜRLÜ GARANTİ VE KOŞULUN YERİNİ ALMAKTADIR.

Yerel yasalar aksini belirtmediği müddetçe, 3M düşme koruması ürünleri montaj tarihi veya orijinal sahibin ilk kullanım tarihinden itibaren bir yıl süreyle işçilik ve malzeme yönünden fabrika kusurlarına karşı garantilidir.

**SINIRLI BAŞVURU YOLU:** 3M, kendisine yapılan yazılı bildirim sonrasında işçilik veya malzeme açısından fabrika kusuruna sahip olduğunu belirlediği herhangi bir ürünü onarabilir veya yenisiyle değiştirebilir. 3M, garanti iddialarının değerlendirilmesi amacıyla ürünün tesisine iade edilmesini şart koşabilir. Bu garanti; yıpranma, istismar, kötüye kullanım, taşıma sırasında hasar, ürünün bakımının yapılmamasından kaynaklanan ürün hasarını ya da 3M'nin kontrolü dışındaki diğer hasarları kapsamaz. 3M, ürünün durumu ve garanti seçenekleri konusunda yegâne takdir sahibi olacaktır.

Bu garanti, yalnızca orijinal satın alma işleminin alıcısı için geçerlidir ve 3M'nin düşme koruması ürünleri için geçerli olan yegâne garantidir. Destek için lütfen bölgenizdeki 3M müşteri hizmetleri bölümü ile irtibata geçin.

**SORUMLULUK SINIRLAMASI:** 3M, YEREL YASALARIN İZİN VERDİĞİ ÖLÇÜDE, İLERİ SÜRÜLEN YASAL KURAMA BAKILMAKSIZIN ÜRÜNLE HERHANGİ BİR ŞEKİLDE İLGİLİ OLAN KÂR KAYBINI DA KAPSAYAN, ANCAK BUNUNLA SINIRLI OLMAYAN HİÇBİR DOLAYLI, ARIZİ, ÖZEL VEYA BAĞLI HASARDAN SORUMLU DEĞİLDİR.

TR

### ГЛОБАЛЬНА ГАРАНТІЯ ЯКОСТІ ПРОДУКЦІЇ, ОБМЕЖЕНІ ЗАСОБИ ПРАВОВОГО ЗАХИСТУ ТА ОБМЕЖЕННЯ ВІДПОВІДАЛЬНОСТІ

**ГАРАНТІЯ:** НАВЕДЕНІ ДАЛІ ПОЛОЖЕННЯ ЗАСТОСОВУЮТЬСЯ ЗАМІСТЬ УСІХ ПРЯМИХ ЧИ НЕПРЯМИХ ГАРАНТІЙ ТА УМОВ, ЗОКРЕМА ПЕРЕДБАЧУВАНІ ГАРАНТІЇ ТА УМОВИ ПРИДАТНОСТІ ДЛЯ ПРОДАЖУ АБО ПРИДАТНОСТІ ДЛЯ ПЕВНОЇ МЕТИ.

Якщо інше не передбачено місцевим законодавством, на виробі захисту від падіння компанії 3M надається гарантія відсутності дефектів виробництва та матеріалів протягом одного року з дати встановлення або першого використання першим власником.

**ОБМЕЖЕНІ ЗАСОБИ ПРАВОВОГО ЗАХИСТУ:** Отримавши попереднє письмове повідомлення, компанія 3M відремонтує або замінить будь-який виріб, в якому вона виявляє наявність дефекту виробництва або матеріалів. Компанія 3M залишає за собою право вимагати повернення виробу на свій виробничий об'єкт для оцінки гарантійних вимог. Ця гарантія не поширюється на пошкодження виробу внаслідок зносу, зловживання, неправильного використання, пошкодження в процесі транспортування, порушень в обслуговуванні виробу або іншого пошкодження, що виходить за межі контролю компанії 3M. Компанія 3M має право в односторонньому порядку оцінювати стан виробу та можливість гарантійного обслуговування.

Ця гарантія розповсюджується лише на першого покупця та є єдиною гарантією, що застосовується до виробів захисту від падіння компанії 3M. Якщо вам потрібна допомога, зверніться до відділу обслуговування клієнтів компанії 3M у вашому регіоні.

**ОБМЕЖЕННЯ ВІДПОВІДАЛЬНОСТІ:** КОМПАНІЯ 3M НЕ НЕСЕ ВІДПОВІДАЛЬНОСТІ ЗА БУДЬ-ЯКІ НЕПРЯМІ, ВИПАДКОВІ, НАВМИСНІ ТА НАСТУПНІ ЗБИТКИ, ЗОКРЕМА ЗА ВТРАТУ ПРИБУТКІВ, БУДЬ-ЯКИМ ЧИНОМ ПОВ'ЯЗАНИХ ІЗ ВИРОБАМИ, НЕЗАЛЕЖНО ВІД ПРАВОВОЇ ТЕОРІЇ, У МЕЖАХ, ДОЗВОЛЕНИХ МІСЦЕВИМ ЗАКОНОДАВСТВОМ.

UK





## GLOBAL PRODUCT WARRANTY, LIMITED REMEDY AND LIMITATION OF LIABILITY

**WARRANTY:** THE FOLLOWING IS MADE IN LIEU OF ALL WARRANTIES OR CONDITIONS, EXPRESS OR IMPLIED, INCLUDING THE IMPLIED WARRANTIES OR CONDITIONS OF MERCHANTABILITY OR FITNESS FOR A PARTICULAR PURPOSE.

Unless otherwise provided by local laws, 3M fall protection products are warranted against factory defects in workmanship and materials for a period of one year from the date of installation or first use by the original owner.

**LIMITED REMEDY:** Upon written notice to 3M, 3M will repair or replace any product determined by 3M to have a factory defect in workmanship or materials. 3M reserves the right to require product be returned to its facility for evaluation of warranty claims. This warranty does not cover product damage due to wear, abuse, misuse, damage in transit, failure to maintain the product or other damage beyond 3M's control. 3M will be the sole judge of product condition and warranty options.

This warranty applies only to the original purchaser and is the only warranty applicable to 3M's fall protection products. Please contact 3M's customer service department in your region for assistance.

**LIMITATION OF LIABILITY:** TO THE EXTENT PERMITTED BY LOCAL LAWS, 3M IS NOT LIABLE FOR ANY INDIRECT, INCIDENTAL, SPECIAL OR CONSEQUENTIAL DAMAGES INCLUDING, BUT NOT LIMITED TO LOSS OF PROFITS, IN ANY WAY RELATED TO THE PRODUCTS REGARDLESS OF THE LEGAL THEORY ASSERTED.



Fall Protection

### USA

3833 SALA Way  
Red Wing, MN 55066-5005  
Toll Free: 800.328.6146  
Phone: 651.388.8282  
Fax: 651.388.5065  
3Mfallprotection@mmm.com

### Brazil

Rua Anne Frank, 2621  
Boqueirão Curitiba PR  
81650-020  
Brazil  
Phone: 0800-942-2300  
falecoma3m@mmm.com

### Mexico

Calle Norte 35, 895-E  
Col. Industrial Vallejo  
C.P. 02300 Azcapotzalco  
Mexico D.F.  
Phone: (55) 57194820  
3msaludocupacional@mmm.com

### Colombia

Compañía Latinoamericana de Seguridad S.A.S.  
Carrera 106 #15-25 Interior 105 Manzana 15  
Zona Franca - Bogotá, Colombia  
Phone: 57 1 6014777  
fallprotection-co@mmm.com

### Canada

260 Export Boulevard  
Mississauga, ON L5S 1Y9  
Phone: 905.795.9333  
Toll-Free: 800.387.7484  
Fax: 888.387.7484  
3Mfallprotection-ca@mmm.com

### EMEA (Europe, Middle East, Africa)

**Slovakia:**  
CAPITAL SAFETY GROUP - Banská  
Bystrica, s.r.o.  
Jegorovova 35  
974 01 Banská Bystrica  
Slovak Republic  
Phone: + 421 (0)47 00 330  
Fax: + 421 (0)47 00 336  
informationfallprotection@mmm.com

### France:

Le Broc Center  
Z.I. 1re Avenue - BP15  
06511 Carros Le Broc Cedex  
France

Phone: + 33 04 97 10 00 10  
Fax: + 33 04 93 08 79 70  
informationfallprotection@mmm.com

### Australia & New Zealand

95 Derby Street  
Silverwater  
Sydney NSW 2128  
Australia  
Phone: +(61) 2 8753 7600  
Toll-Free : 1800 245 002 (AUS)  
Toll-Free : 0800 212 505 (NZ)  
Fax: +(61) 2 8753 7603  
anzfallprotectionsales@mmm.com

### Asia

**Singapore:**  
1 Yishun Avenue 7  
Singapore 768923  
Phone: +65-6450 8888  
Fax: +65-6552 2113  
TotalFallProtection@mmm.com

### Shanghai:

19/F, L'Avenue, No.99 Xian Xia Rd  
Shanghai 200051, P R China  
Phone: +86 21 62539050  
Fax: +86 21 62539060  
3MFallProtection-CN@mmm.com

### Korea:

3M Korea Ltd  
20F, 82, Uisadang-daero,  
Yeongdeungpo-gu, Seoul  
Phone: +82-80-033-4114  
Fax: +82-2-3771-4271  
TotalFallProtection@mmm.com

### Japan:

3M Japan Ltd  
6-7-29, Kitashinagawa, Shinagawa-ku, Tokyo  
Phone: +81-570-011-321  
Fax: +81-3-6409-5818  
psd.jp@mmm.com

[3M.com/FallProtection](http://3M.com/FallProtection)



### EU DECLARATION OF CONFORMITY:

[www.3M.com/FallProtection/DOC](http://www.3M.com/FallProtection/DOC)

The quality management system / the environmental management system / occupational health and safety management system of the company CAPITAL SAFETY GROUP - Banská Bystrica s.r.o. is certified by

TÜV SÜD Slovakia s.r.o. according to STN EN ISO 9001:2016  
STN EN ISO 14001:2016 / STN ISO 45001:2018